

 **BOEING**
COMPONENT
MAINTENANCE MANUAL

TO: ALL HOLDERS OF THRUST REVERSER SLEEVE ASSEMBLY COMPONENT MAINTENANCE
MANUAL 78-31-22

REVISION NO. 10 DATED MAR 01/05

HIGHLIGHTS

All data formerly in manual 78-31-21 is included in this manual 78-31-22.

CHAPTER/SECTION

AND PAGE NO.

712

DESCRIPTION OF CHANGE

Clarified blocker door gaps to reflect the engineering drawing.

1082S,1096Z,1098C

Added optional bearing assembly part number AMB6V4035.

78-31-22

HIGHLIGHTS

01.1

Page 1

Mar 01/05

THRUST REVERSER SLEEVE ASSEMBLY

PART NUMBERS 315T3500-1,-2,-21 THRU -24,-27,-28
315T3001-39,-40
315T4026-17 THRU -24

(JT9D)

COMPONENT MAINTENANCE MANUAL
WITH
ILLUSTRATED PARTS LIST

78-31-22

TITLE PAGE

Page 1

Nov 01/03

01.1

REVISION RECORD

- Retain this record in front of manual. On receipt of revision, insert revised pages in the manual, and enter revision number, date inserted and initial.

REVISION NUMBER	REVISION DATE	DATE FILED	BY	REVISION NUMBER	REVISION DATE	DATE FILED	BY

TEMPORARY REVISION AND SERVICE BULLETIN RECORD

BOEING SERVICE BULLETIN	BOEING TEMPORARY REVISION	OTHER DIRECTIVE	DATE OF INCORPORATION INTO MANUAL
78-0006 78-0006R1 78-0006R2 78-0006R3 78-0037 78-0041 78-0036 78-0089R1	78-1	PRR B10134 PRR B10086 PRR B10404 PRR B10505-1 PRR B10523 PRR B10982 PRR B11325-2 PRR B11325-4 PRR B11738 PRR B11480-43 PRR B11480-71 PRR B10505 PRR B11565 PRR B11767	JAN 10/82 JAN 10/82 OCT 10/83 OCT 10/83 OCT 10/83 APR 10/85 JAN 10/85 APR 10/86 JUL 10/86 JUL 01/89 JUL 01/89 OCT 01/90 OCT 01/90 OCT 01/90 OCT 01/90 OCT 01/90 OCT 01/90 OCT 01/90 APR 01/91 APR 01/91 OCT 01/91 NOV 01/03

78-31-22

TR & SB RECORD

01.1

Page 1

Nov 01/03

PAGE	DATE	CODE	PAGE	DATE	CODE
78-31-22			CHECK		CONT.
			504	NOV 01/03	01.1
TITLE PAGE			REPAIR-GENERAL		
1	NOV 01/03	01.1	601	NOV 01/03	01.1
2	BLANK		602	NOV 01/03	01.1
REVISION RECORD			603	MAR 01/04	01.101
1	NOV 01/03	01.1	604	MAR 01/04	01.101
2	BLANK		605	NOV 01/03	01.1
TR & SB RECORD			606	BLANK	
1	NOV 01/03	01.1	REPAIR 1-1		
2	BLANK		601	NOV 01/03	01.1
LIST OF EFFECTIVE PAGES			602	BLANK	
*1	MAR 01/05	01	REPAIR 2-1		
THRU LAST PAGE			601	MAR 01/04	01.1
CONTENTS			602	MAR 01/04	01.1
1	NOV 01/03	01.1	603	MAR 01/04	01.1
2	BLANK		604	NOV 01/03	01.1
INTRODUCTION			605	NOV 01/03	01.1
1	NOV 01/03	01.1	606	BLANK	
2	BLANK		REPAIR 3-1		
DESCRIPTION & OPERATION			601	MAR 01/04	01.1
1	NOV 01/03	01.1	602	MAR 01/04	01.1
2	NOV 01/03	01.1	REPAIR 4-1		
DISASSEMBLY			601	NOV 01/03	01.1
301	NOV 01/03	01.1	602	NOV 01/03	01.1
302	NOV 01/03	01.1	REPAIR 5-1		
303	NOV 01/03	01.1	601	NOV 01/03	01.1
304	NOV 01/03	01.1	602	BLANK	
305	NOV 01/03	01.1	REPAIR 6-1		
306	NOV 01/03	01.1	601	NOV 01/03	01.1
CHECK			602	BLANK	
501	NOV 01/03	01.1	REPAIR 6-2		
502	NOV 01/03	01.1	601	NOV 01/03	01.1
503	NOV 01/03	01.1	602	NOV 01/03	01.1
			603	NOV 01/03	01.1

* = REVISED, ADDED OR DELETED

78-31-22

EFFECTIVE PAGES
 CONTINUED Page 1
 01 Mar 01/05

PAGE	DATE	CODE	PAGE	DATE	CODE
REPAIR 6-2		CONT.	REPAIR 11-1		
604	NOV 01/03	01.1	601	NOV 01/03	01.1
605	NOV 01/03	01.1	602	NOV 01/03	01.1
606	NOV 01/03	01.1			
REPAIR 7-1			REPAIR 12-1		
601	NOV 01/03	01.1	601	NOV 01/03	01.1
602	BLANK		602	NOV 01/03	01.1
REPAIR 7-2			603	NOV 01/03	01.1
601	NOV 01/03	01.1	604	NOV 01/03	01.1
602	BLANK		605	NOV 01/03	01.1
REPAIR 8-1			606	NOV 01/03	01.1
601	NOV 01/03	01.1			
602	BLANK		ASSEMBLY		
REPAIR 8-2			701	NOV 01/03	01.1
601	NOV 01/03	01.1	702	NOV 01/03	01.1
602	BLANK		703	NOV 01/03	01.1
REPAIR 9-1			704	NOV 01/03	01.1
601	NOV 01/03	01.1	705	NOV 01/03	01.1
602	BLANK		706	NOV 01/03	01.1
REPAIR 9-2			707	NOV 01/03	01.1
601	NOV 01/03	01.1	708	NOV 01/03	01.1
602	NOV 01/03	01.1	709	NOV 01/03	01.1
603	NOV 01/03	01.1	710	NOV 01/03	01.1
604	NOV 01/03	01.1	711	NOV 01/03	01.1
605	NOV 01/03	01.1	*712	MAR 01/05	01.1
606	NOV 01/03	01.1			
607	NOV 01/03	01.1	FITS AND CLEARANCES		
608	BLANK		801	NOV 01/03	01.1
REPAIR 10-1			802	NOV 01/03	01.1
601	NOV 01/03	01.1	803	NOV 01/03	01.1
602	BLANK		804	NOV 01/03	01.1
REPAIR 10-2			SPECIAL TOOLS		
601	NOV 01/03	01.1	901	NOV 01/03	01.1
602	NOV 01/03	01.1	902	BLANK	
			ILLUSTRATED PARTS LIST		
			1001	NOV 01/03	01.1
			1002	NOV 01/03	01.1
			1003	NOV 01/03	01.1
			1004	NOV 01/03	01.1
			1005	NOV 01/03	01.1
			1006	NOV 01/03	01.1

* = REVISED, ADDED OR DELETED

78-31-22

EFFECTIVE PAGES
 CONTINUED Page 2
 01 Mar 01/05

PAGE	DATE	CODE	PAGE	DATE	CODE
ILLUSTRATED PARTS LIST		CONT.	ILLUSTRATED PARTS LIST		CONT.
1007	NOV 01/03	01.1	1049	NOV 01/03	01.1
1008	NOV 01/03	01.1	1050	NOV 01/03	01.1
1009	NOV 01/03	01.1	1051	NOV 01/03	01.1
1010	NOV 01/03	01.1	1052	NOV 01/03	01.1
1011	NOV 01/03	01.1	1053	NOV 01/03	01.1
1012	NOV 01/03	01.1	1054	NOV 01/03	01.1
1013	NOV 01/03	01.1	1055	NOV 01/03	01.1
1014	NOV 01/03	01.1	1056	NOV 01/03	01.1
1015	NOV 01/03	01.1	1057	NOV 01/03	01.1
1016	NOV 01/03	01.1	1058	NOV 01/03	01.1
1017	NOV 01/03	01.1	1059	NOV 01/03	01.1
1018	NOV 01/03	01.1	1060	NOV 01/03	01.1
1019	NOV 01/03	01.1	1061	NOV 01/03	01.1
1020	NOV 01/03	01.1	1062	NOV 01/03	01.1
1021	NOV 01/03	01.1	1063	NOV 01/03	01.1
1022	NOV 01/03	01.1	1064	NOV 01/03	01.1
1023	NOV 01/03	01.1	1065	NOV 01/03	01.1
1024	NOV 01/03	01.1	1066	NOV 01/03	01.1
1025	NOV 01/03	01.1	1067	NOV 01/03	01.1
1026	NOV 01/03	01.1	1068	NOV 01/03	01.1
1027	NOV 01/03	01.1	1069	NOV 01/03	01.1
1028	NOV 01/03	01.1	1070	NOV 01/03	01.1
1029	NOV 01/03	01.1	1071	NOV 01/03	01.1
1030	NOV 01/03	01.1	1072	NOV 01/03	01.1
1031	NOV 01/03	01.1	1073	NOV 01/03	01.1
1032	NOV 01/03	01.1	1074	NOV 01/03	01.1
1033	NOV 01/03	01.1	1075	NOV 01/03	01.1
1034	NOV 01/03	01.1	1076	NOV 01/03	01.1
1035	NOV 01/03	01.1	1077	NOV 01/03	01.1
1036	NOV 01/03	01.1	1078	NOV 01/03	01.1
1037	NOV 01/03	01.1	1079	NOV 01/03	01.1
1038	NOV 01/03	01.1	1080	NOV 01/03	01.1
1039	NOV 01/03	01.1	1080A	NOV 01/03	01.1
1040	NOV 01/03	01.1	1080B	NOV 01/03	01.1
1041	NOV 01/03	01.1	1080C	NOV 01/03	01.1
1042	NOV 01/03	01.1	1080D	NOV 01/03	01.1
1043	NOV 01/03	01.1	1080E	NOV 01/03	01.1
1044	NOV 01/03	01.1	1080F	NOV 01/03	01.1
1045	NOV 01/03	01.1	1080G	NOV 01/03	01.1
1046	NOV 01/03	01.1	1080H	NOV 01/03	01.1
1047	NOV 01/03	01.1	1080I	NOV 01/03	01.1
1048	NOV 01/03	01.1	1080J	NOV 01/03	01.1

* = REVISED, ADDED OR DELETED

78-31-22

EFFECTIVE PAGES
 CONTINUED Page 3
 01 Mar 01/05

PAGE	DATE	CODE	PAGE	DATE	CODE
ILLUSTRATED PARTS LIST		CONT.	ILLUSTRATED PARTS LIST		CONT.
1080K	NOV 01/03	01.1	1082Y	NOV 01/03	01.1
1080L	NOV 01/03	01.1	1082Z	NOV 01/03	01.1
1080M	NOV 01/03	01.1	1083	NOV 01/03	01.1
1080N	NOV 01/03	01.1	1084	NOV 01/03	01.1
1080O	NOV 01/03	01.1	1084A	NOV 01/03	01.1
1080P	NOV 01/03	01.1	1084B	NOV 01/03	01.1
1080Q	NOV 01/03	01.1	1084C	NOV 01/03	01.1
1080R	NOV 01/03	01.1	1084D	NOV 01/03	01.1
1080S	NOV 01/03	01.1	1084E	NOV 01/03	01.1
1080T	NOV 01/03	01.1	1084F	NOV 01/03	01.1
1080U	NOV 01/03	01.1	1084G	NOV 01/03	01.1
1080V	NOV 01/03	01.1	1084H	NOV 01/03	01.1
1080W	NOV 01/03	01.1	1084I	NOV 01/03	01.1
1080X	NOV 01/03	01.1	1084J	NOV 01/03	01.1
1080Y	NOV 01/03	01.1	1084K	NOV 01/03	01.1
1080Z	NOV 01/03	01.1	1084L	NOV 01/03	01.1
1081	NOV 01/03	01.1	1084M	NOV 01/03	01.1
1082	NOV 01/03	01.1	1084N	BLANK	
1082A	NOV 01/03	01.1	1084O	NOV 01/03	01.1
1082B	NOV 01/03	01.1	1084P	NOV 01/03	01.1
1082C	NOV 01/03	01.1	1084Q	NOV 01/03	01.1
1082D	NOV 01/03	01.1	1084R	NOV 01/03	01.1
1082E	NOV 01/03	01.1	1084S	NOV 01/03	01.1
1082F	NOV 01/03	01.1	1084T	NOV 01/03	01.1
1082G	NOV 01/03	01.1	1084U	NOV 01/03	01.1
1082H	NOV 01/03	01.1	1084V	NOV 01/03	01.1
1082I	NOV 01/03	01.1	1084W	NOV 01/03	01.1
1082J	NOV 01/03	01.1	1084X	NOV 01/03	01.1
1082K	NOV 01/03	01.1	1084Y	NOV 01/03	01.1
1082L	NOV 01/03	01.1	1084Z	NOV 01/03	01.1
1082M	NOV 01/03	01.1	1085	NOV 01/03	01.1
1082N	NOV 01/03	01.1	1086	NOV 01/03	01.1
1082O	NOV 01/03	01.1	1086A	NOV 01/03	01.1
1082P	NOV 01/03	01.1	1086B	BLANK	
1082Q	NOV 01/03	01.1	1086C	NOV 01/03	01.1
1082R	NOV 01/03	01.1	1086D	NOV 01/03	01.1
*1082S	MAR 01/05	01.1	1086E	NOV 01/03	01.1
*1082T	MAR 01/05	01.101	1086F	NOV 01/03	01.1
1082U	NOV 01/03	01.1	1086G	NOV 01/03	01.1
1082V	NOV 01/03	01.1	1086H	NOV 01/03	01.1
1082W	NOV 01/03	01.1	1086I	NOV 01/03	01.1
1082X	NOV 01/03	01.1	1086J	NOV 01/03	01.1

* = REVISED, ADDED OR DELETED

78-31-22

EFFECTIVE PAGES
 CONTINUED Page 4
 01 Mar 01/05

PAGE	DATE	CODE	PAGE	DATE	CODE
ILLUSTRATED PARTS LIST		CONT.	ILLUSTRATED PARTS LIST		CONT.
1086K	NOV 01/03	01.1	1088Y	NOV 01/03	01.1
1086L	NOV 01/03	01.1	1088Z	NOV 01/03	01.1
1086M	NOV 01/03	01.1	1089	NOV 01/03	01.1
1086N	NOV 01/03	01.1	1090	NOV 01/03	01.1
1086O	NOV 01/03	01.1	1090A	NOV 01/03	01.1
1086P	NOV 01/03	01.1	1090B	NOV 01/03	01.1
1086Q	NOV 01/03	01.1	1090C	NOV 01/03	01.1
1086R	NOV 01/03	01.1	1090D	NOV 01/03	01.1
1086S	NOV 01/03	01.1	1090E	NOV 01/03	01.1
1086T	NOV 01/03	01.1	1090F	NOV 01/03	01.1
1086U	NOV 01/03	01.1	1090G	NOV 01/03	01.1
1086V	NOV 01/03	01.1	1090H	NOV 01/03	01.1
1086W	NOV 01/03	01.1	1090I	NOV 01/03	01.1
1086X	NOV 01/03	01.1	1090J	NOV 01/03	01.1
1086Y	NOV 01/03	01.1	1090K	NOV 01/03	01.1
1086Z	NOV 01/03	01.1	1090L	NOV 01/03	01.1
1087	NOV 01/03	01.1	1090M	NOV 01/03	01.1
1088	NOV 01/03	01.1	1090N	NOV 01/03	01.1
1088A	NOV 01/03	01.1	1090O	NOV 01/03	01.1
1088B	NOV 01/03	01.1	1090P	NOV 01/03	01.1
1088C	NOV 01/03	01.1	1090Q	NOV 01/03	01.1
1088D	NOV 01/03	01.1	1090R	NOV 01/03	01.1
1088E	NOV 01/03	01.1	1090S	NOV 01/03	01.1
1088F	NOV 01/03	01.1	1090T	NOV 01/03	01.1
1088G	NOV 01/03	01.1	1090U	NOV 01/03	01.1
1088H	NOV 01/03	01.1	1090V	NOV 01/03	01.1
1088I	NOV 01/03	01.1	1090W	NOV 01/03	01.1
1088J	NOV 01/03	01.1	1090X	NOV 01/03	01.1
1088K	NOV 01/03	01.1	1090Y	NOV 01/03	01.1
1088L	NOV 01/03	01.1	1090Z	NOV 01/03	01.1
1088M	NOV 01/03	01.1	1091	NOV 01/03	01.1
1088N	NOV 01/03	01.1	1092	NOV 01/03	01.1
1088O	NOV 01/03	01.1	1092A	NOV 01/03	01.1
1088P	NOV 01/03	01.1	1092B	NOV 01/03	01.1
1088Q	NOV 01/03	01.1	1092C	NOV 01/03	01.1
1088R	NOV 01/03	01.1	1092D	NOV 01/03	01.1
1088S	NOV 01/03	01.1	1092E	NOV 01/03	01.1
1088T	NOV 01/03	01.1	1092F	NOV 01/03	01.1
1088U	NOV 01/03	01.1	1092G	NOV 01/03	01.1
1088V	NOV 01/03	01.1	1092H	NOV 01/03	01.1
1088W	NOV 01/03	01.1	1092I	NOV 01/03	01.1
1088X	NOV 01/03	01.1	1092J	NOV 01/03	01.1

* = REVISED, ADDED OR DELETED

78-31-22

EFFECTIVE PAGES
 CONTINUED Page 5
 01 Mar 01/05

PAGE	DATE	CODE	PAGE	DATE	CODE
ILLUSTRATED	PARTS LIST	CONT.	ILLUSTRATED	PARTS LIST	CONT.
1092K	NOV 01/03	01.1	1094Y	NOV 01/03	01.1
1092L	NOV 01/03	01.1	1094Z	NOV 01/03	01.1
1092M	NOV 01/03	01.1	1095	NOV 01/03	01.1
1092N	NOV 01/03	01.1	1096	NOV 01/03	01.1
1092O	NOV 01/03	01.1	1096A	NOV 01/03	01.1
1092P	NOV 01/03	01.1	1096B	NOV 01/03	01.1
1092Q	NOV 01/03	01.1	1096C	NOV 01/03	01.1
1092R	NOV 01/03	01.1	1096D	NOV 01/03	01.1
1092S	NOV 01/03	01.1	1096E	NOV 01/03	01.1
1092T	NOV 01/03	01.1	1096F	NOV 01/03	01.1
1092U	NOV 01/03	01.1	1096G	NOV 01/03	01.1
1092V	NOV 01/03	01.1	1096H	NOV 01/03	01.1
1092W	NOV 01/03	01.1	1096I	NOV 01/03	01.1
1092X	NOV 01/03	01.1	1096J	NOV 01/03	01.1
1092Y	NOV 01/03	01.1	1096K	NOV 01/03	01.1
1092Z	NOV 01/03	01.1	1096L	NOV 01/03	01.1
1093	NOV 01/03	01.1	1096M	NOV 01/03	01.1
1094	NOV 01/03	01.1	1096N	NOV 01/03	01.1
1094A	BLANK		1096O	NOV 01/03	01.1
1094B	NOV 01/03	01.1	1096P	NOV 01/03	01.1
1094C	NOV 01/03	01.1	1096Q	NOV 01/03	01.1
1094D	NOV 01/03	01.1	1096R	NOV 01/03	01.1
1094E	NOV 01/03	01.1	1096S	NOV 01/03	01.1
1094F	NOV 01/03	01.1	1096T	NOV 01/03	01.1
1094G	NOV 01/03	01.1	1096U	NOV 01/03	01.1
1094H	NOV 01/03	01.1	1096V	NOV 01/03	01.1
1094I	NOV 01/03	01.1	1096W	NOV 01/03	01.1
1094J	NOV 01/03	01.1	1096X	NOV 01/03	01.1
1094K	NOV 01/03	01.1	1096Y	NOV 01/03	01.1
1094L	NOV 01/03	01.1	*1096Z	MAR 01/05	01.1
1094M	BLANK		*1097	MAR 01/05	01.101
1094N	NOV 01/03	01.1	*1098	MAR 01/05	01.101
1094O	NOV 01/03	01.1	1098A	NOV 01/03	01.1
1094P	NOV 01/03	01.1	1098B	NOV 01/03	01.1
1094Q	NOV 01/03	01.1	*1098C	MAR 01/05	01.1
1094R	NOV 01/03	01.1	1098D	NOV 01/03	01.1
1094S	NOV 01/03	01.1	1098E	NOV 01/03	01.1
1094T	NOV 01/03	01.1	1098F	BLANK	
1094U	NOV 01/03	01.1			
1094V	NOV 01/03	01.1			
1094W	NOV 01/03	01.1			
1094X	NOV 01/03	01.1			

* = REVISED, ADDED OR DELETED

78-31-22

EFFECTIVE PAGES
 LAST PAGE Page 6
 01 Mar 01/05

TABLE OF CONTENTS

<u>Paragraph Title</u>	<u>Page</u>
Description and Operation.	1
Testing and Trouble Shooting (not applicable)	
Disassembly.	301
Cleaning (not applicable)	
Check.	501
Repair	601
Assembly	701
Fits and Clearances.	801
Special Tools, Fixtures, and Equipment	901
Illustrated Parts List	1001

INTRODUCTION

The instructions in this manual provide the information necessary to perform maintenance functions ranging from simple checks and replacement to complete shop-type repair.

This manual is divided into separate sections:

- | | |
|--|------------------------------|
| 1. Title Page | 4. List of Effective Pages |
| 2. Record of Revisions | 5. Table of Contents |
| 3. Temporary Revision &
Service Bulletin Record | 6. Introduction |
| | 7. Procedures & IPL Sections |

Refer to the Table of Contents for the page location of applicable sections. An asterisked flagnote *[] in place of the page number indicates that no special instructions are provided since the function can be performed using standard industry practices.

The beginning of the REPAIR section includes a list of the separate repairs, a list of applicable standard Boeing practices, and an explanation of the True Position Dimensioning symbols used.

An explanation of the use of the Illustrated Parts List is provided in the Introduction to that section.

All weights and measurements used in the manual are in English units, unless otherwise stated. When metric equivalents are given they will be in parentheses following the English units.

Design changes, optional parts, configuration differences and Service Bulletin modifications create alternate part numbers. These are identified in the Illustrated Parts List (IPL) by adding an alphabetical character to the basic item number. The resulting item number is called an alpha-variant. Throughout the manual, IPL basic item number references also apply to alpha-variants unless otherwise indicated.

Verification:

Disassembly
Assembly

78-31-22

INTRODUCTION

01.1

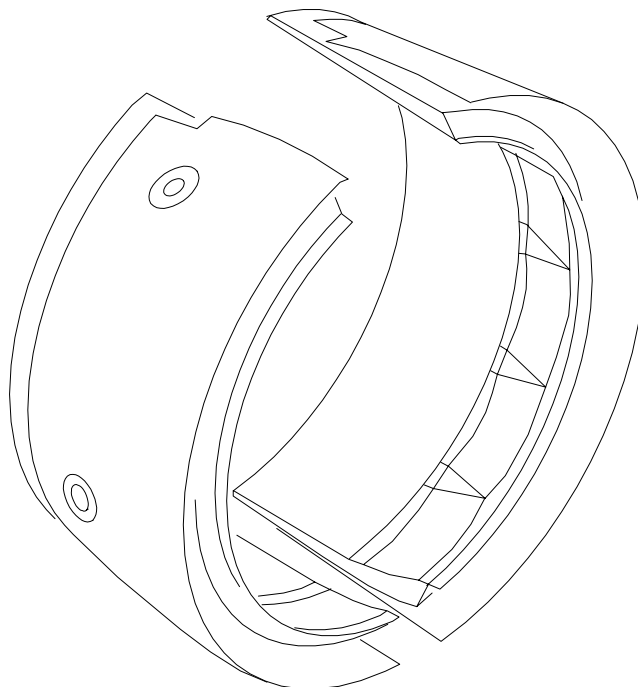
Page 1

Nov 01/03

THRUST REVERSER SLEEVE ASSEMBLY

DESCRIPTION AND OPERATION

1. The thrust reverser sleeve assembly consists of two translating sleeve halves. Each sleeve half is composed of a supporting diaphragm structure to which are mounted slider guides, twelve movable blocker doors with associated drag links, acoustic panels, and cowl assemblies fabricated of a bonded skin and honeycomb structure. The thrust reverser sleeve assembly is an integral part of the thrust reverser and fan duct cowl assembly and remains on the strut during engine removal.
2. During flight the thrust reverser sleeve is stowed in a forward position. Fan thrust is ducted between an inner fixed cowl and the surface formed by the nested blocker doors. Actuation of the thrust reverser translates the sleeve rearward approximately 21 inches, exposing cascade vanes in the fan duct. At the same time, the translating motion causes the drag links to pivot the blocker doors into the fan exhaust. Air is thus restricted from flowing through its normal ducted outlet and is redirected forward through the cascade vanes, providing reverse thrust to the aircraft.



Thrust Reverser Sleeve Assembly
Figure 1

3. Leading Particulars (Approximate)

Diameter -- 107 inches

Width -- 45 inches

Weight -- 229 lbs

78-31-22

DESCRIPTION & OPERATION

01.1 Page 2

Nov 01/03

DISASSEMBLY

NOTE: Disassemble this component only as necessary to complete fault isolation, determine the serviceability of parts, perform required repairs, and restore the unit to serviceable condition.

| 1. Parts Replacement

NOTE: The following parts are recommended for replacement. Unless otherwise specified, actual replacement may be based on in-service experience.

| A. Seal (5H, IPL Fig. 1; 30, IPL Fig. 7)

| B. Cotter pin (524, IPL Fig. 1)

2. Disassembly

| A. Thrust Reverser Sleeve

| CAUTION: DO NOT REMOVE SLIDER ASSEMBLIES (321, 391, IPL FIG. 1; 815, 830, IPL FIG. 7) OR AUXILIARY SLIDER ASSEMBLIES (24, 43, 58C, IPL FIG. 1; 130, 180, IPL FIG. 7) FROM SLEEVE ASSEMBLIES. REATTACHMENT REQUIRES THE USE OF EXPENSIVE AND COMPLICATED JIGS TO PROPERLY ALIGN SLIDERS ON SLEEVE ASSEMBLY.

NOTE: Measure shim thickness to facilitate reassembly.

| (1) 315T3500-1, -2, 315T4026-17, -18 Thrust Reverser Sleeve Assys

| (a) Separate blocker door assemblies (570A, 576, 579A) from drag link assemblies (549A) by removing bolts (537), washers (538 and 540), bushing (546), and nuts (543).

| NOTE: Do not remove bushings (555) and bearing (552A) from link (558A) unless repair or replacement is necessary.

| (b) Remove spring (534) by removing items (524, 525, 528, 531).

- (2) 315T3500-21 thru -24, -27, -28, 315T3001-39, -40, 315T4026-19 thru -24 Thrust Reverser Sleeve Assemblies
- (a) Separate blocker door assemblies (576B thru 576F, 570E thru 570T, 582D thru 582S, IPL Fig. 1; 851 thru 863, IPL Fig. 7) from drag link assembly (549A, IPL Fig. 1; 689, IPL Fig. 7) by removing bolts (537A, IPL Fig. 1; 677, IPL Fig. 7), washers (538A, 538B, 540A, 540B, IPL Fig. 1; 678, 683, IPL Fig. 7), bushings (546B, IPL Fig. 1; 686, IPL Fig. 7), and nuts (543, IPL Fig. 1; 680, IPL Fig. 7).
- NOTE: Do not remove bushings (555, IPL Fig. 1; 695, IPL Fig. 7) and bearing (552A, IPL Fig. 1; 692, IPL Fig. 7) from link (558A, IPL Fig. 1; 698, IPL Fig. 7) unless repair or replacement is necessary.
- (3) Remove blocker door assys at hinge fittings by removing bolts (561, IPL Fig. 1; 701, IPL Fig. 7), washers (564, IPL Fig. 1; 704, IPL Fig. 7), and nuts (567A, IPL Fig. 1; 707, IPL Fig. 7). Refer to par. B. below for disassembly of blocker doors.
- (4) Remove retainers (5N, 5P, 5Q, 5R, IPL Fig. 1; 45 thru 60, IPL Fig. 7), seal (5H, IPL Fig. 1; 30, IPL Fig. 7), and shims (5S, 5T, 5U, 5V, IPL Fig. 1; 65 thru 80, IPL Fig. 7) by removing bolts (5J, IPL Fig. 1; 35, IPL Fig. 7) and washers (5M, IPL Fig. 1; 40, IPL Fig. 7).
- (5) Remove bumper assy (597, IPL Fig. 1; 722, IPL Fig. 7) by removing items (585, 588, IPL Fig. 1; 710, 713, IPL Fig. 7).
- NOTE: Do not remove nutplate (591, IPL Fig. 1; 719, IPL Fig. 7) and rivet (594, IPL Fig. 1; 716, IPL Fig. 7) unless repair or replacement is necessary.
- (6) Remove panel assy (615, IPL Fig. 1; 866, IPL Fig. 7) by removing items (612, 618, 621, IPL Fig. 1; 725, 728, 731, IPL Fig. 7).
- (7) Remove panel assembly (75, 76, IPL Fig. 1; 275, 280, IPL Fig. 7) by removing items (62, 65, 68, 69, IPL Fig. 1; 245, 250, 255, 260, IPL Fig. 7). Remove bolts (59, IPL Fig. 1; 235, IPL Fig. 7) from sleeve assembly.
- (8) Remove fittings (77, 80, IPL Fig. 1; 320, 325, IPL Fig. 7) from panel assemblies (75, 76, IPL Fig. 1; 275, 280, IPL Fig. 7) by removing items (83 thru 101, IPL Fig. 1; 285 thru 317, IPL Fig. 7).
- (9) Remove fittings (103, IPL Fig. 1; 350, IPL Fig. 7) from panel assemblies (75, 76, IPL Fig. 1; 275, 280, IPL Fig. 7) by removing items (105, 108, IPL Fig. 1; 340, 345, IPL Fig. 7).

78-31-22

DISASSEMBLY

01.1

Page 302

Nov 01/03

- (10) Remove fittings (111, 114, IPL Fig. 1; 330, 335, IPL Fig. 7) from panel assys (71A, 74A, IPL Fig. 1; 265, 270, IPL Fig. 7) by removing items (117 thru 138, IPL Fig. 1; 285 thru 315, IPL Fig. 7).
- (11) Remove inserts (140, 141, 141S, 143, 146, IPL Fig. 1; 360, 365, 375, 380, IPL Fig. 7) only if necessary.
- (12) Remove actuator attach assembly (178, 179, IPL Fig. 1; 435, 435A, IPL Fig. 7) from panel assemblies (75, 76, IPL Fig. 1; 275, 280, IPL Fig. 7) by removing items (149 thru 169, IPL Fig. 1; 385 thru 415, IPL Fig. 7).

NOTE: Do not remove nutplate (172A, IPL Fig. 1; 430A, IPL Fig. 7), rivets (175, Fig. 1; 425, IPL Fig. 7), or bushings (181, 183, IPL Fig. 1; 440, 445, IPL Fig. 7) from fittings (185, IPL Fig. 1; 450, IPL Fig. 7) unless repair or replacement is necessary.

- (13) Remove items (188, 191, 193, 196, IPL Fig. 1; 455, 460, 465, 470, IPL Fig. 7) to remove doubler assy (199, IPL Fig. 1; 475, IPL Fig. 7) and panel assy (211A, IPL Fig. 1; 495, IPL Fig. 7).
- (14) Remove nutplate (202, IPL Fig. 1; 485, IPL Fig. 7) from doubler (208, IPL Fig. 1; 490, IPL Fig. 7), if necessary, by removing rivets (205, IPL Fig. 1; 480, IPL Fig. 7).
- (15) Remove nutplates (220, 221, IPL Fig. 1; 509, 512, IPL Fig. 7) from panel assys (226, 229, IPL Fig. 1; 515, 518, IPL Fig. 7), if necessary, by removing rivets (223, IPL Fig. 1; 506, IPL Fig. 7).
- (16) Remove bumper assembly (6, 6A, IPL Fig. 1; 85, IPL Fig. 7) by removing items (9A, 10A, IPL Fig. 1; 90, 100, IPL Fig. 7).

NOTE: Do not separate bumper (22, IPL Fig. 1; 125, IPL Fig. 7) from baseplate (12A, IPL Fig. 1) or channel (21A, IPL Fig. 1; 120, IPL Fig. 7) unless repair is necessary.

- (17) Remove panel assys (303, 306, IPL Fig. 1; 806, 809, IPL Fig. 7) by removing items (244, 258 thru 301, IPL Fig. 1; 533, 545 thru 578, IPL Fig. 7). Remove insert (318, IPL Fig. 1; 812, IPL Fig. 7) from panel assys (303, 306, IPL Fig. 1; 806, 809, IPL Fig. 7) only if required.
- (18) Remove items (462 thru 477, 495 thru 510, IPL Fig. 1; 635 thru 644, IPL Fig. 7) and separate diaphragm assy (625, 630, IPL Fig. 1; 869, 872, IPL Fig. 7) and slider attach fitting (459, 492, IPL Fig. 1; 653, 665, IPL Fig. 7). See Para. C for disassembly of diaphragm assy. If necessary, remove nutplates (480, 513, IPL Fig. 1; 659, 671, IPL Fig. 7) from fittings (486, 489, 519, 522, IPL Fig. 1; 662, 674, IPL Fig. 7) by removing rivets (483, 516, IPL Fig. 1; 656, 658, IPL Fig. 7).

78-31-22

DISASSEMBLY

01.1

Page 303

Nov 01/03

B. Disassembly of Blocker Door Assys (IPL Fig. 2, 3, 4)

(1) IPL Fig. 2

NOTE: Do not remove hinge fitting assys (5, 40) from blocker door assy unless replacement is required.

- (a) Remove link attach fitting (75) by removing bolts (80, 80A), nuts (85, 85A), and shim (83).

NOTE: Do not remove bushings (95M, 95L, 95P, 95Q) or rub strip (90) unless replacement is required.

- (b) Remove pivot link assembly (145), washers (110) spring (130), and bushings (135, 140) by removing bolt (115) and nut (105).

NOTE: Do not remove bushings (150) unless replacement is necessary.

(2) IPL Fig. 3

NOTE: Do not remove hinge fitting assys (10, 15, 60, 65) from blocker door assy unless replacement is required.

- (a) Remove link attach fitting (135, 138) by removing bolts (140), nuts (145), and shim (143).

NOTE: Do not remove bushings (155D, 155F, 155G, 155H, 155J) or rub strip (150) unless replacement is required.

- (b) Remove pivot link assembly (255), washers (220, 225, 230) spring (240), and bushings (245, 250) by removing bolt (215) and nut (235).

NOTE: Do not remove bushings (275) unless replacement is necessary.

(3) IPL Fig. 4

NOTE: Do not remove hinge fitting assys (10, 15, 85) from blocker door assy unless replacement is required.

- (a) Remove link attach fitting (135) by removing bolts (140), nuts (145), and shim (143).

NOTE: Do not remove bushings (159, 159A, 160, 161) or rub strip (150) unless replacement is required.

78-31-22

DISASSEMBLY

01.1

Page 304

Nov 01/03

- (b) Remove pivot link assembly (270), washers (235, 240, 245) spring (255), and bushings (260, 265) by removing bolt (230) and nut (250).

NOTE: Do not remove bushings (290, 295) unless replacement is necessary.

C. Disassembly of Diaphragm Assy (IPL Fig. 5)

- (1) Remove fitting assys (710, 715) from bulkhead assy (700, 705) by removing bolts (716, 716C), washers (716A), collar (716D), and nuts (716B).
- (2) Remove bolts (415, 430, 435, 500, 510A, 515A, 550, 605A, 615A, 627, 779, 788A), washers (420, 520, 620), nuts (425, 525, 625), and collars (440, 505, 555, 628, 650). Remove retainer (680), fairing (165), shims (530), and bond assembly (595, 600) from bulkhead assembly (700, 705) and ring (665, 670).

NOTE: Do not remove nutplates unless replacement is required.

- (3) Remove bolts (480, 485, 675), collars (490), and rivets (470) to remove pan (495).
- (4) Remove nutplates (535, 537, 685) and shim (695), if required, from pan (495) by removing rivets (540, 690).
- (5) Remove clips (445, 450) and bracket (460, 465), if required, from pan (495) by removing rivets (455, 475).
- (6) Remove intercostals (405, 410) by removing bolts (330, 375, 380, 395, 415, 430, 435), washers (420), nuts (425), and collars (335, 385, 440).
- (7) Disconnect fitting (655) and clips (283, 284, 285) from bulkhead assy (700, 705) by removing bolt (287) and collar (289).
- (8) Remove clips (320, 325) by removing bolts (90, 140, 330) and collars (95, 145, 335).
- (9) If necessary, remove stiffeners (340, 345, 350, 355) by removing rivets (360), bolts (365, 370), and collars (385).
- (10) Remove fairing assy (10, 15) and shim (40) by removing bolts (23, 270, 305), washers (30, 275, 310), and nuts (35, 280, 315). Clips (265, 300) may be removed from fairing (55, 60) by removing rivets (20, 21A).
- (11) If necessary, remove fairings (65, 70, 80, 100, 110, 130, 150, 155) and clips (283, 284, 285) by removing rivets (75A, 85A, 105A, 115, 135A, 160A).

78-31-22

DISASSEMBLY

01.1

Page 305

Nov 01/03

- (12) Remove fairing assembly (175) by removing bolts (185, 305, 788A), washers (195, 310), and nuts (200, 315). Clips (300) may be removed from fairing (210) by removing rivets (180A).
- (13) Remove fairing assembly (215, 220) by removing bolts (235A, 305), washers (240, 310), and nuts (245, 315). Clips (291, 293, 300) may be removed from fairing (255, 260) by removing rivets (225, 227A).
- (14) Remove bracket assembly (812D) by removing bolts (810, 810G) and collars (811).
- (15) Remove bracket assembly (857A) by removing bolts (810, 810G), and collars (811).

D. Disassembly of Hinge Bulkhead Assembly (IPL Fig. 6)

- (1) Remove fitting assemblies (20, 25, 75, 80) by removing bolts (30, 45, 85, 100), washers (35, 37, 90), collar (50, 105), and nuts (40, 95).

NOTE: Do not remove bushings (60, 115, 120) unless replacement is required.

78-31-22

DISASSEMBLY

01.1

Page 306

Nov 01/03

CHECK

1. Check all parts for obvious defects in accordance with standard industry practices.
2. Examine seal (5H, Fig. 1; 30, Fig. 7) for deterioration and wear and check for security of bonding.
3. Penetrant check the following parts per SOPM 20-20-02.
 - A. Fittings (185, 486, 489, 519, 522 Fig. 1), (95, Fig. 2), (155, Fig. 3), (155, 156, 157, 158 Fig. 4), (735A, 740A, 765A, 770A, Fig. 5), (65, 70, Fig. 6), (450, 662, 674, Fig. 7)
 - B. Hinges (35, 70, Fig. 2), (50, 55, 115, 120, 130, Fig. 3), (71, 75, 80, 81, 125, 130, Fig. 4)
 - C. Aux slider (41, 57, Fig. 1), (165, 220, Fig. 7)
 - D. Slider (385, 388, 453, 456 Fig. 1), (824, 827, 845, 848, Fig. 7)
 - E. Spring (534, Fig. 1)
 - F. Bushing (555, Fig. 1), (95M, Fig. 2), (695, Fig. 7)
 - G. Ring (665, 670, Fig. 5)
 - H. Links (175, 180, Fig. 2), (285, 290, Fig. 3), (300, 305, Fig. 4)
4. Magnetic particle check the following parts per SOPM 20-20-01.
 - A. Drag link (558A, Fig. 1), (698, Fig. 7)
 - B. Bushings (546, Fig. 1), (95L, Fig. 2), (155H, Fig. 3), (159A, Fig. 4), (686, Fig. 7)
 - C. Retainer (545, Fig. 5)

78-31-22

CHECK

01.1

Page 501

Nov 01/03

5. Visual Check

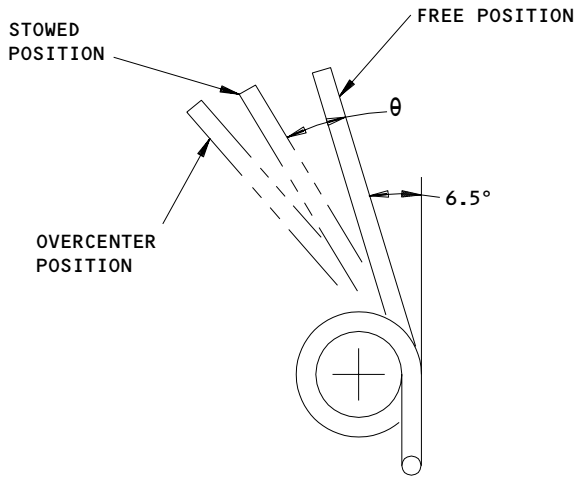
- A. Check honeycomb and bonded parts for evidence of delamination, internal moisture, scratches, or contour defects.
- (1) Tap surface of honeycomb or bonded structure lightly with coin or plastic rod. Check entire surface. Normal structure will produce a solid sound. Delaminated areas will produce a dull, hollow sound. Areas containing moisture will produce a dull, solid sound.
 - (2) Examine areas suspected of containing moisture radiographically to determine extent of damage.
 - (3) Examine edges of panel carefully for cuts and abrasions. Delamination starts very easily from the damaged area to an edge member of honeycomb panel.
- B. Refer to 767 Structural Repair Manual, 54-30-01 and 54-30-02 for allowable damage data.
- C. Examine fitting assemblies (5, 40, Fig. 2) (10, 15, 60, 65, Fig. 3) and (10, 15, 85, 90, Fig. 4) for wear, notches or grooves on area surrounding bearing hole. Minimum allowable lug thickness at damaged area is 0.190 inch. Refer to REPAIR section for blend out repair instructions.

78-31-22

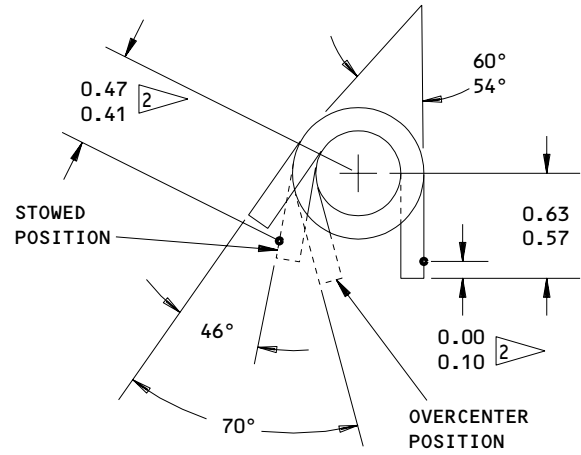
CHECK
01.1 Page 502
Nov 01/03

6. Spring Check

- A. Check springs (534, Fig. 1) (130, Fig. 2), (240, Fig. 3), (255, Fig. 4) per Fig. 501.



SPRING (IPL FIG. 1; 534)



SPRINGS (IPL FIG. 2; 130)
 (IPL FIG. 3; 240) (IPL FIG. 4; 255)

IPL FIG. AND ITEM NUMBER	TEST DEFLECTION (DEGREES FROM FREE POSITION)	ALLOWABLE LOAD LIMITS (POUND-INCHES)
IPL FIG. 1; 534	1 24	11.70-14.30
	38.5	18.72-22.88
IPL FIG. 2; 130 IPL FIG. 3; 240 IPL FIG. 4; 255	2 46	41.40-50.60
	70	60.75-74.25

1 APPLIES TO BOTH ARMS SIMULTANEOUSLY.
 ONE ARM ILLUSTRATED

2 RESTRAIN SPRING AT INDICATED POSITIONS
 DURING TEST

ALL DIMENSIONS ARE IN INCHES

315T3583-1,-2
 Spring Check
 Figure 501

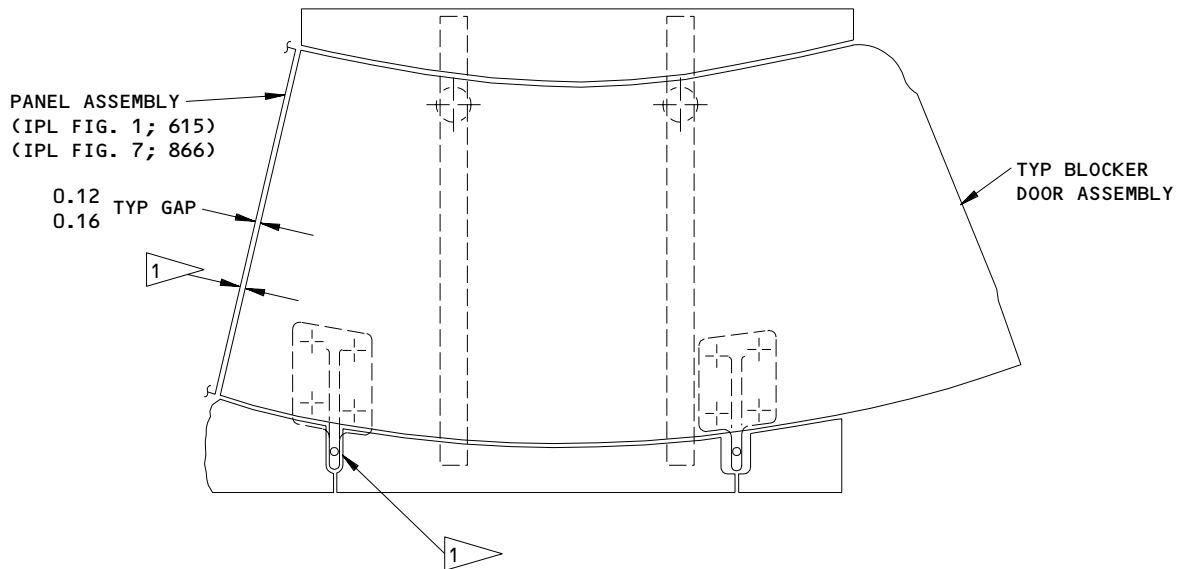
24756

78-31-22

CHECK
 01.1 Page 503
 Nov 01/03

7. Blocker Door Assembly Check (Fig. 1)

- A. Check side play of blocker door assemblies (570A, 573A, 576, 579A, 582A, Fig. 1; 851, 857, 860, Fig. 7) per Fig. 502.
- B. Check that nut (567A, Fig. 1; 707, Fig. 7) does not bottom out on bolt (561, Fig. 1; 701, Fig. 7).



CHECK

USING A SCREWDRIVER, CHECK THAT SIDE PLAY OF BLOCKER DOOR ASSEMBLY DOES NOT EXCEED 0.008 INCH PER 1

ALL DIMENSIONS ARE IN INCHES

1 SIDE PLAY CHECK CAN BE ACCOMPLISHED EITHER AT BLOCKER DOOR HINGE JOINT OR BETWEEN BLOCKER DOOR ASSEMBLY EDGE AND ACOUSTIC PANEL ASSEMBLY (IPL FIG. 1; 615) (IPL FIG. 7; 866)

Blocker Door Assembly Check
 Figure 502

REPAIR – GENERAL

NOTE: Refer to Structural Repair Manual, Chapter 54, for repair of structural components and honeycomb core.

1. Content

A. Repair, refinish and replacement procedures, as applicable, are included in separate repair sections as follows:

<u>P/N</u>	<u>NAME</u>	<u>REPAIR</u>
315T3502	PANEL	1-1
315T3505	SLIDER	2-1
315T3506	AUX SLIDER	3-1
315T3511	DRAG LINK	4-1
315T3521	PANEL	5-1
315T3522	HINGE FITTING	6-1, 6-2
315T3561	ACTUATOR ATTACH FTG	7-1
315T3563-1	OUTER COWL PANEL	8-1
315T3563-4	OUTER COWL PANEL	8-2
315T3507	BLOCKER DOOR ASSY	9-1
315T3508	BLOCKER DOOR ASSY	9-1
315T3509	BLOCKER DOOR ASSY	9-1
315T3001	BLOCKER DOOR ASSY	9-1
315T3580	HINGE FITTING	9-2
315T3584	HINGE FITTING	9-2

 **BOEING**
COMPONENT
MAINTENANCE MANUAL

315T3500
315T3001
315T4026 DASH NUMBERS
LIMITED

315T3581-3	LINK ATTACH FITTING	10-1
315T3581-5,-7,-11 -13	LINK ATTACH FITTING	10-2
315T3592	PIVOT LINK	11-1
- - -	MISC PARTS REFINISH	12-1

78-31-22

REPAIR-GENERAL

01.1

Page 602

Nov 01/03

2. Standard Practices

- A. Refer to the following standard practices, as applicable, for details of procedures in each individual repair.

20-30-02 Stripping of Protective Finishes
20-30-03 General Cleaning Procedures
20-41-01 Decoding Table for Boeing Finish Codes
20-41-02 Application of Chemical and Solvent Resistant Finishes
20-41-04 Application and Repair of Interior Decorative Finishes
20-42-03 Hard Chrome Plating
20-42-05 Bright Cadmium Plating
20-43-03 Alodizing
20-44-02 Temporary Protective Coatings
20-50-03 Bearing Installation and Retention
20-50-08 Application of Dry Lubricant
20-50-12 Application of Adhesives

3. Materials

NOTE: Equivalent substitutes may be used.

- A. Adhesive -- BMS 5-44, Type 44 (Ref 20-50-12)
B. Adhesive -- Dow Corning 93-076, Type 68 (Ref 20-50-12)
C. Enamel -- BMS 10-86, Type 1, White (Ref 20-60-02)
D. Enamel -- BMS 10-60, Type II, Gloss (Ref 20-60-02).
E. Lubricant -- BMS 3-8 (Ref 20-60-03)
F. Methyl, Ethyl Ketone (Ref 20-60-01)
G. Primer -- BMS 10-11, Type 1 (Ref 20-60-02)
H. Scotch Brite (Ref 20-60-04)
I. Sealant -- BMS 5-26 (Ref 20-60-04)
J. Lubricant -- EverLube 967 (Ref 20-60-03)

78-31-22

REPAIR-GENERAL

01.101

Page 603

Mar 01/04

4. Equipment

- A. Clam Shell Equipment -- A78014-1
- B. Pipe, Heat Shrinkable Tubing -- Locally fabricated
- C. Blocker door hinge replacement jig -- A78015

5. Dimensioning Symbols

- A. Standard True Positioning Dimensioning Symbols used in applicable Repair procedures are shown in Fig. 601.

78-31-22

REPAIR-GENERAL

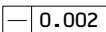
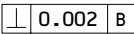
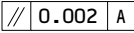
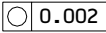
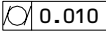
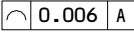
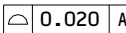
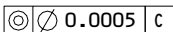
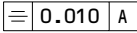
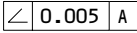
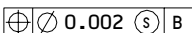
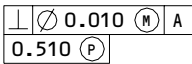
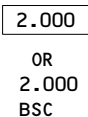
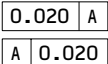
01.101 Page 604

Mar 01/04

- STRAIGHTNESS
- ▭ FLATNESS
- ⊥ PERPENDICULARITY (OR SQUARENESS)
- // PARALLELISM
- ROUNDNESS
- ⊘ CYLINDRICITY
- ⌒ PROFILE OF A LINE
- ⌒ PROFILE OF A SURFACE
- ◎ CONCENTRICITY
- ≡ SYMMETRY
- ∠ ANGULARITY
- ↗ RUNOUT
- ↗ TOTAL RUNOUT
- ⊔ COUNTERBORE OR SPOTFACE
- ∇ COUNTERSINK

- ⊕ THEORETICAL EXACT POSITION OF A FEATURE (TRUE POSITION)
- ∅ DIAMETER
- S ∅ SPHERICAL DIAMETER
- R RADIUS
- SR SPHERICAL RADIUS
- () REFERENCE
- BASIC (BSC) OR DIM A THEORETICALLY EXACT DIMENSION USED TO DESCRIBE SIZE, SHAPE OR LOCATION OF A FEATURE FROM WHICH PERMISSIBLE VARIATIONS ARE ESTABLISHED BY TOLERANCES ON OTHER DIMENSIONS OR NOTES.
- A- DATUM
- Ⓜ MAXIMUM MATERIAL CONDITION (MMC)
- Ⓛ LEAST MATERIAL CONDITION (LMC)
- Ⓢ REGARDLESS OF FEATURE SIZE (RFS)
- Ⓟ PROJECTED TOLERANCE ZONE
- FIM FULL INDICATOR MOVEMENT

EXAMPLES

<p> 0.002 STRAIGHT WITHIN 0.002</p> <p> 0.002 B PERPENDICULAR TO B WITHIN 0.002</p> <p> 0.002 A PARALLEL TO A WITHIN 0.002</p> <p> 0.002 ROUND WITHIN 0.002</p> <p> 0.010 CYLINDRICAL SURFACE MUST LIE BETWEEN TWO CONCENTRIC CYLINDERS, ONE OF WHICH HAS A RADIUS 0.010 INCH GREATER THAN THE OTHER</p> <p> 0.006 A EACH LINE ELEMENT OF THE SURFACE AT ANY CROSS SECTION MUST LIE BETWEEN TWO PROFILE BOUNDARIES 0.006 INCH APART RELATIVE TO DATUM PLANE A</p> <p> 0.020 A SURFACES MUST LIE WITHIN PARALLEL BOUNDARIES 0.02 INCH APART AND EQUALLY DISPOSED ABOUT TRUE PROFILE</p>	<p> 0.0005 C CONCENTRIC TO C WITHIN 0.0005 DIAMETER</p> <p> 0.010 A SYMMETRICAL WITH A WITHIN 0.010</p> <p> 0.005 A ANGULAR TOLERANCE 0.005 WITH A</p> <p> 0.002 S B LOCATED AT TRUE POSITION WITHIN 0.002 DIA RELATIVE TO DATUM B, REGARDLESS OF FEATURE SIZE</p> <p> 0.010 M A AXIS IS TOTALLY WITHIN A CYLINDER OF 0.010-INCH DIAMETER, PERPENDICULAR TO, AND EXTENDING 0.510-INCH ABOVE, DATUM A, MAXIMUM MATERIAL CONDITION</p> <p> 2.000 THEORETICALLY EXACT DIMENSION IS 2.000 OR 2.000 BSC</p> <p> 0.020 A A 0.020</p>
<p>NOTE: DATUM MAY APPEAR AT EITHER SIDE OF TOLERANCE FRAME</p>	

True Position Dimensioning Symbols
 Figure 601

78-31-22

REPAIR-GENERAL

01.1

Page 605

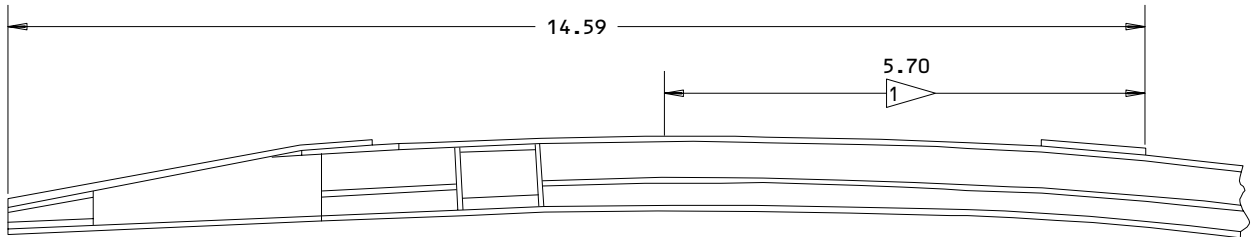
Nov 01/03

ACOUSTIC PANEL ASSY - REPAIR 1-1

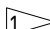
315T3502-1, -2, -53, -54, -81, -82

1. Plating Repair

NOTE: Repair consists of restoration of original finish. See Refinish instructions, Fig. 601 and REPAIR-GEN for list of applicable standard practices.

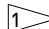


REFINISH

REACTIVATE ADHESIVE PRIMED SURFACE PER 20-41-02, EXCEPT USE SCOTCHBRITE TO REMOVE GLOSS AND APPLY 1 COAT ALUMINIZED EPOXY PRIMER (SRF-14.963). OVERSPRAY ON EDGES ALLOWED. APPLY BMS 10-79, TYPE 3 PRIMER (F-19.47) TO ALL REMAINING EXPOSED SURFACES EXCEPT AS NOTED IN 

MATERIAL: SKINS AND DOUBLERS AL ALLOY

ALL DIMENSIONS ARE IN INCHES

 APPLY ENAMEL (SRF-14.9624) PER MFR INSTRUCTIONS TO AREA INDICATED

315T3502-1,-2,-53,-54,-81,-82
Panel Assembly Repair
Figure 601

24759

78-31-22

REPAIR 1-1

01.1

Page 601

Nov 01/03

SLIDER ASSY – REPAIR 2-1

315T3505-1, -2, -7, -8, -13, -14

NOTE: Refer to REPAIR-GEN for list of applicable standard practices.

This repair for Rulon J replacement is intended to be done with the slider attached to the thrust reverser sleeve.

1. Rulon J Tape Replacement (IPL Fig. 1)

- A. Remove Rulon J tape (371, 442, Fig. 1; 821, 836, Fig. 7) and all traces of tape adhesive from slider (385, 388, 453, 456, Fig. 1; 824, 827, 845, 848, Fig. 7) as specified.

WARNING: BE CAREFUL WHEN YOU CUT THE RULON J TAPE. AVOID GETTING DUST OR PARTICLES ON THE FLOOR; DUST CAN MAKE A SLIPPERY SURFACE. WASH HANDS TO KEEP DUST FROM BEING INGESTED. PROVIDE LOCAL VENTILATION IF RULON J TAPE IS HEATED. PERSONAL INJURY CAN OCCUR IF FUMES ARE BREATHED.

- B. Solvent clean the Rulon J tape (371,442, Fig. 1; 821,836, Fig. 7) as specified in SOPM 20-30-03.
- C. Prepare slider (385,388,453,456, IPL Fig. 1; 824,827,845,848, IPL Fig. 7) for bonding as specified in BAC5514, BAC5514-5137 and BAC5555.
- D. Bond Rulon J tape (371,442, IPL Fig. 1; 821,836, IPL Fig. 7) to slider (385,388,453,456, IPL Fig. 1; 824,827,845,848, IPL Fig. 7) using BMS 5-137, Type II, Grade 10 adhesive and one of the following methods:

(1) Clam shell mold method:

- (a) Place Rulon J onto slider.

78-31-22

REPAIR 2-1

01.1

Page 601

Mar 01/04

- (b) Place clam shell equipment A78014 over Rulon J and clamp tightly in place (Fig. 602).
- (c) Cure bond per Fig. 604.
- (2) Heat shrinkable tubing in pipe method:
 - (a) Make loop in shrink tubing and insert through slot in pipe (Fig. 603).
 - (b) Place Rulon J onto slider.

CAUTION: EXCESSIVE HEAT MAY DAMAGE PARTS OF SLEEVE ASSEMBLY. TO PREVENT DAMAGE, SHIELD SLEEVE ASSEMBLY WHEN APPLYING HEAT TO SLIDER.

- (c) Slide shrink tubing/pipe assembly over Rulon J (Fig. 603). Apply heat uniformly to shrink material with hot air gun by blowing hot air over and through pipe.
- (d) Cure bond as specified in BAC5514-5137.

- E. Reactivate primed surfaces of slider after bonding Rulon J tape as specified in SOPM 20-41-02 except use scotchbrite to remove gloss.
- F. Apply 1 coat BMS 10-11, type 1 primer (F-20.02) to surfaces indicated in Fig. 601.

78-31-22

REPAIR 2-1

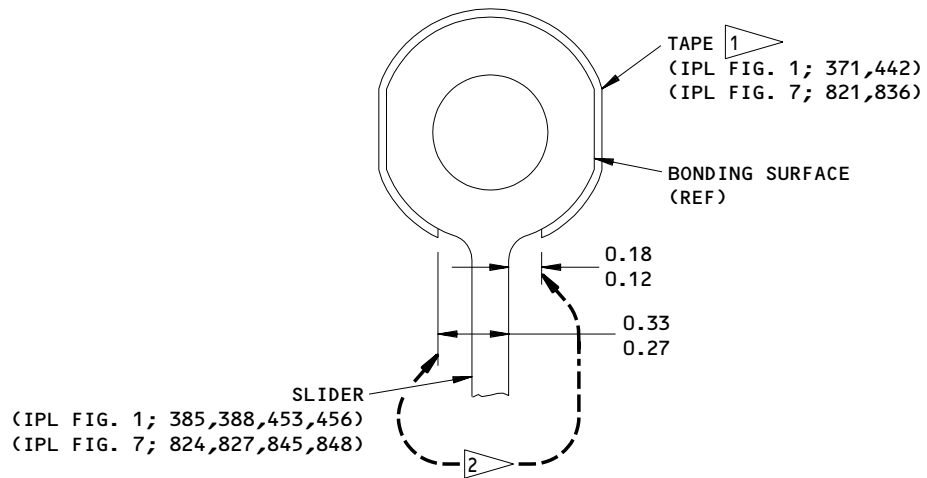
01.1

Page 602

Mar 01/04

315T3500
315T3001
315T4026 DASH NUMBERS
LIMITED

BOEING
COMPONENT
MAINTENANCE MANUAL



- 1 DARK BROWN SIDE OF TAPE IS THE BONDING SIDE
- 2 APPLY ONE COAT BMS 10-11, TYPE 1 PRIMER (F-20.02). NOT OVERSPRAY ONTO BONDING SURFACE ALLOWED

MATERIAL: AL ALLOY
ALL DIMENSIONS ARE IN INCHES

315T3505-1,-2,-7,-8,-13,-14
Slider Assembly Repair
Figure 601

24760

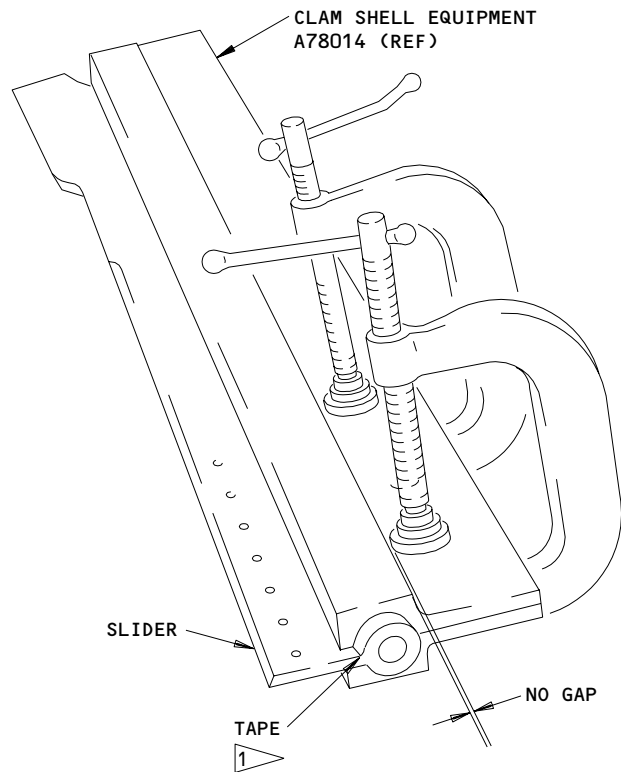
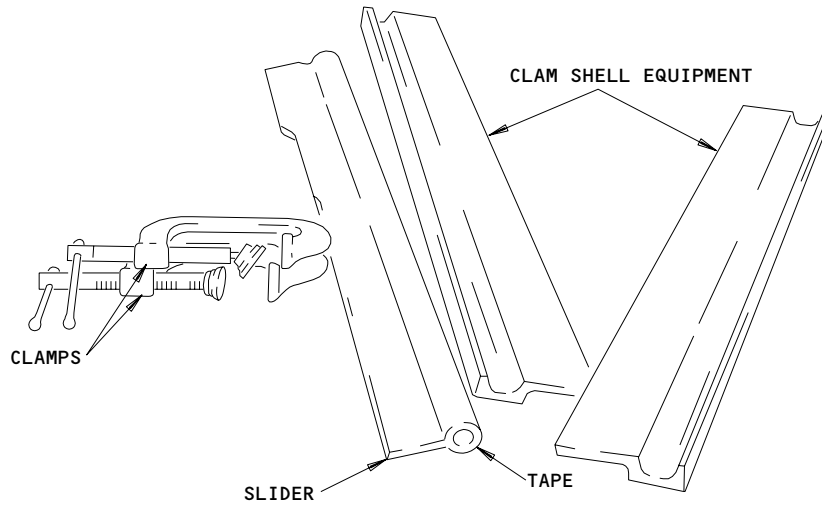
78-31-22

REPAIR 2-1

01.1

Page 603

Mar 01/04



NOTE: THIS REPAIR IS INTENDED TO BE ACCOMPLISHED WITH SLIDER ASSY ATTACHED TO THRUST REVERSER SLEEVE. THRUST REVERSER SLEEVE IS NOT SHOWN ON THIS FIG. FOR CLARITY

1 RULON J TAPE AND CLAM SHELL EQUIPMENT MUST COVER ENTIRE LENGTH OF SLIDER

315T3505-1,-2,-7,-8,-13,-14
 Clam Shell Mold
 Figure 602

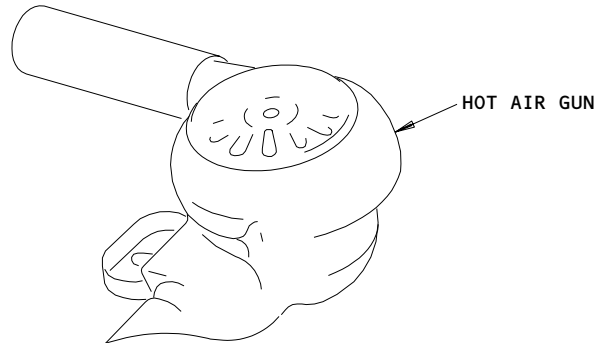
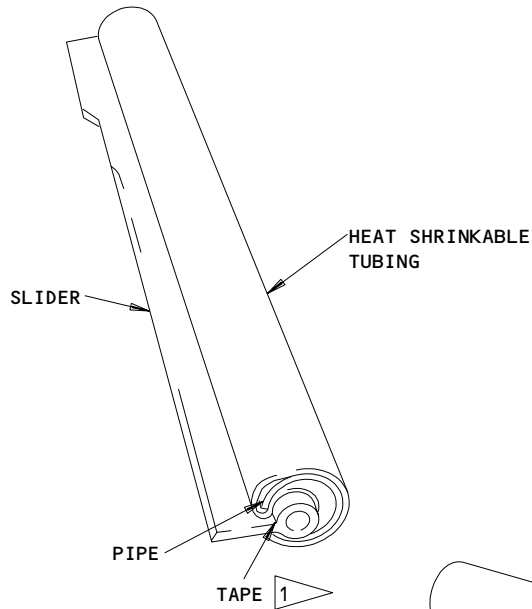
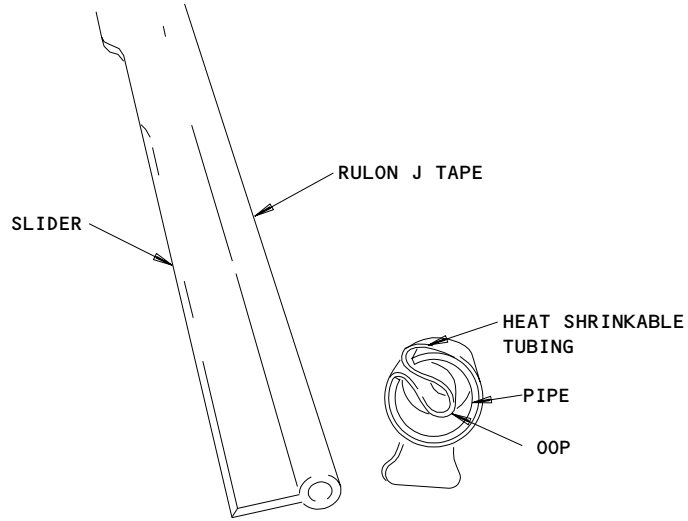
78-31-22

REPAIR 2-1

Page 604

Nov 01/03

01.1



NOTE: THIS REPAIR IS INTENDED TO BE ACCOMPLISHED WITH SLIDER ASSY ATTACHED TO THRUST REVERSER SLEEVE. THRUST REVERSER SLEEVE IS NOT SHOWN IN THIS FIG. FOR CLARITY

1 RULON J TAPE AND HEAT SHRINKABLE TUBING MUST COVER ENTIRE LENGTH OF SLIDER

315T3505-1,-2,-7,-8,-13,-14
Heat Shrink Tubing in Pipe
Figure 603

78-31-22

REPAIR 2-1

01.1

Page 605

Nov 01/03

AUX SLIDER ASSY - REPAIR 3-1

315T3506-11, -12, -15, -16, -20, -25, -26, -29, -35, -36, -39, -40, -43, -44

NOTE: Refer to REPAIR-GEN for list of applicable standard practices.

NOTE: This repair for Rulon J replacement is intended to be done with the slider attached to the thrust reverser sleeve.

1. Rulon J Tape Replacement (Fig. 601)

A. Remove Rulon J tape (42, 58, 58Y, 58Z, Fig. 1; 160, 210, Fig. 7) and all traces of tape adhesive from auxiliary slider (41, 57, 58S, 58T, Fig. 1; 165, 220, Fig. 7) as specified in SOPM 20-30-03.

(1) For Aluminum Auxiliary Slider Part Numbers
315T3506-11,-12,-15,-16,-20,-25,-26,-29:

(a) Prepare Aluminum auxiliary slider for bonding by accomplishing anodizing and priming as specified in BAC5514, BAC5514-5137 and BAC5555.

(b) Solvent clean the Rulon J tape as specified in SOPM 20-30-03.

(c) Bond Rulon J tape to auxiliary slider using auxiliary slider clamp B78005-3 and BMS5-137 Type II Grade 10 adhesive as specified in BAC5514-5137 and as shown in Fig. 602.

(d) Reactivate primed surfaces of auxiliary slider after bonding Rulon J tape as specified in SOPM 20-41-02.

(e) Apply 1 coat of BMS 10-11, Type 1 primer (F-20.02) and 1 coat of BMS 10-11 Type II Color 702 enamel (F-21.03) to the auxiliary slider surfaces shown in Fig. 601 and as specified in SOPM 20-41-02.

78-31-22

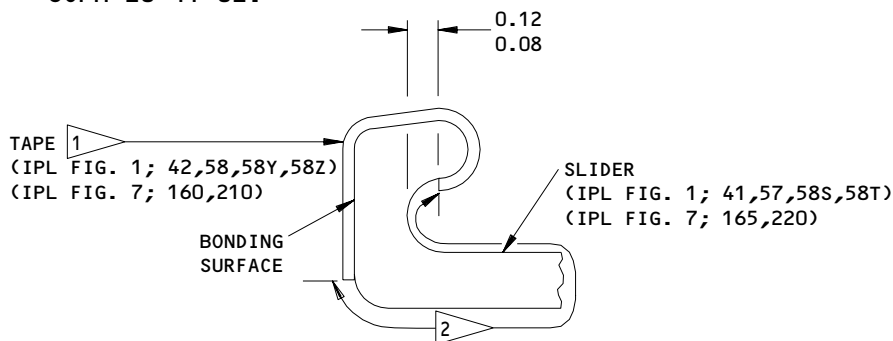
REPAIR 3-1

01.1

Page 601

Mar 01/04

- (2) For Cress Auxiliary Slider Part Numbers 315T3506-35,-36,-39,-40,-43,-44:
- (a) Prepare Cress auxiliary slider for bonding as specified in BAC5571.
 - (b) Apply BMS5-137, Type 1 primer to the bonding surface of auxiliary slider (41,57,58S,58T, Fig. 1; 165,220, Fig. 7) as specified in BAC5514-5137.
 - (c) Bond Rulon J tape (42,58,58Y,58Z, Fig. 1; 160,210, Fig. 7) to slider (41,57,58S,58T, Fig. 1; 165,220, Fig. 7) using BMS5-137, Type 2, class 1, grade 5 adhesive as specified in BAC5514-5137.
 - (d) Reactivate primed surfaces of auxiliary slider after bonding Rulon J tape as specified in SOPM 20-41-02 except use scotchbrite to remove gloss.
 - (e) Apply 1 coat of BMS 10-11, Type 1 primer (F-20.02) to the auxiliary slider surfaces shown in Fig. 601 and as specified in SOPM 20-41-02.



- 1 DARK BROWN SIDE OF TAPE IS BONDING SIDE
- 2 APPLY ONE COAT BMS 10-11, TYPE 1 PRIMER (F-20.02). NO OVERSPRAY TO BONDING SURFACE ALLOWED

MATERIAL: SLIDER AL ALLOY
 ALL DIMENSIONS ARE IN INCHES

315T3506-11,-12,-15,-16,-20,-25,-26,-29,-35,-36,-39,-40,-43,-44
 Auxiliary Slider Assembly Repair
 Figure 601

DRAG LINK ASSY – REPAIR 4-1

315T3511-3, -5

NOTE: Refer to REPAIR-GEN for list of applicable standard practices.

1. Bushing Replacement (Fig. 601)

- A. Remove bushings.
- B. Install new bushings using shrink fit method per 20-50-03.
- C. Check dimensions and machine as necessary.

2. Bearing Replacement (Fig. 601)

- A. Remove bearing.
- B. Locate bearing race slot as indicated in Fig. 601.
- C. Roller swage bearing per 20-50-03.

3. Drag Link Refinish

- A. Passivate drag link (558A) all over (F-17.09) per 20-30-03.
Material: 15-5 PH CRES, 180-200 KSI.

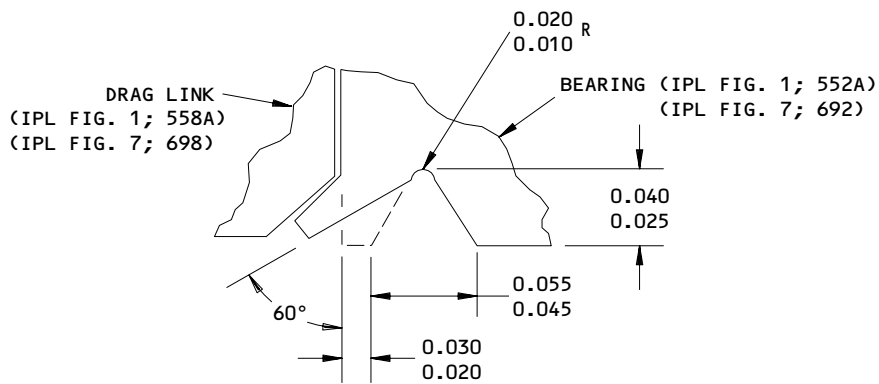
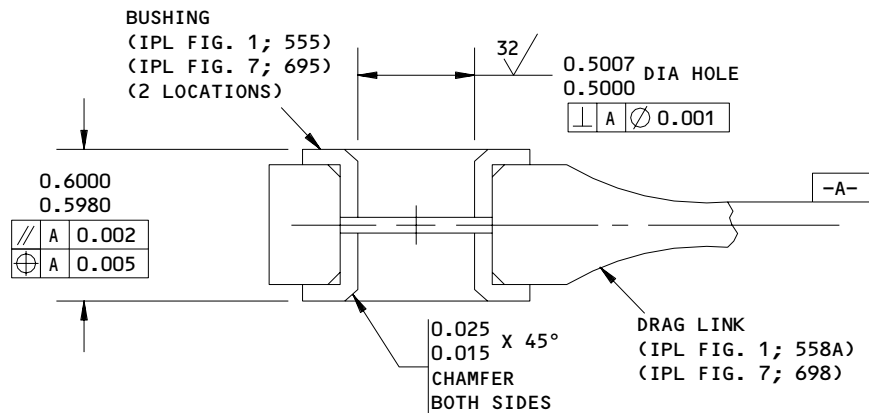
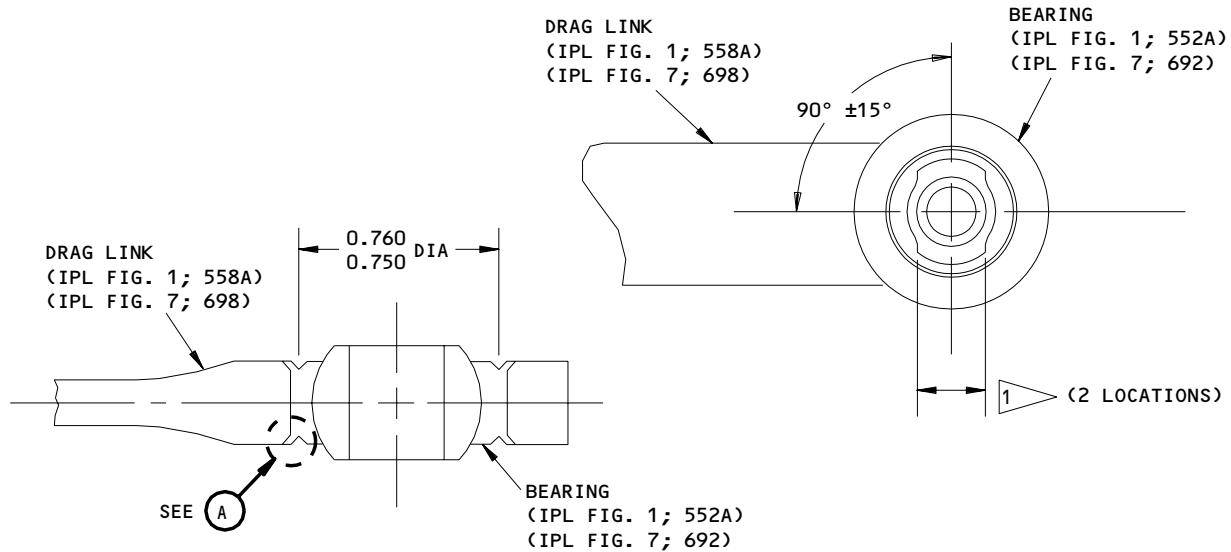
78-31-22

REPAIR 4-1

01.1

Page 601

Nov 01/03



1 DO NOT SWAGE RACE IN HOUSING
 SLOT AREA. MINIMUM PUSH AREA
 LOAD IS 1812 POUNDS

(A)

ALL DIMENSIONS ARE IN INCHES

315T3511-3,-5
 Bushing and Bearing Replacement
 Figure 601

78-31-22

REPAIR 4-1

Page 602

Nov 01/03

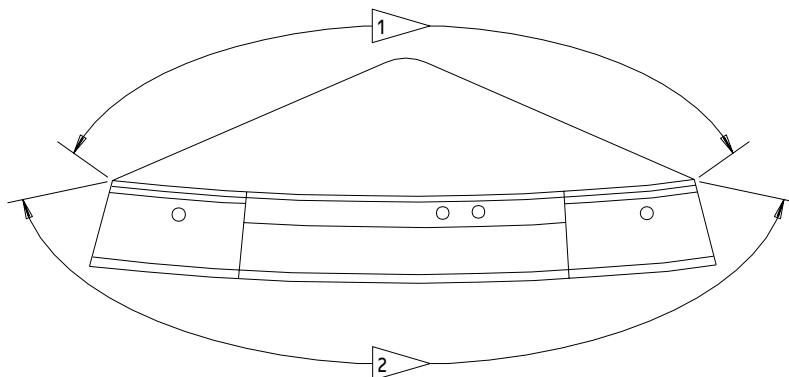
01.1

ACOUSTIC PANEL ASSEMBLY – REPAIR 5-1

315T3521-1, -10, -14

1. Plating Repair

NOTE: Repair consists of restoration of original finish. Refer to Refinish instructions, Fig. 601 and to REPAIR-GEN for list of applicable standard practices.



REFINISH

- 1 ▷ REACTIVATE ADHESIVE PRIMED EXPOSED SURFACE PER 20-41-02, EXCEPT USE SCOTCHBRITE TO REMOVE GLOSS. APPLY 1 COAT ALUMINIZED EPOXY PRIMER (SRF-14.963)
- 2 ▷ APPLY 1 COAT BMS 10-11, TYPE I, PRIMER (F-20.02)

MATERIAL: AL ALLOY

315T3521-1,-10,-14
Acoustic Panel Assembly Repair
Figure 601

24770

78-31-22

REPAIR 5-1

01.1

Page 601

Nov 01/03

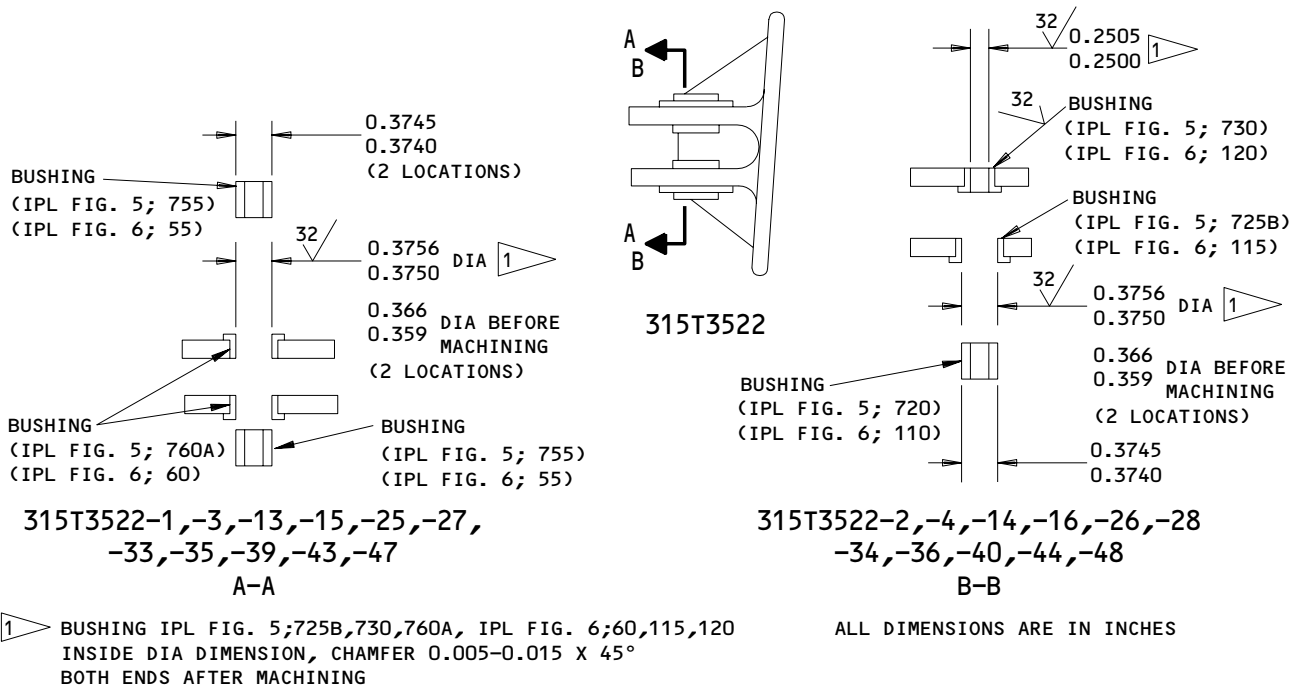
HINGE FITTING ASSEMBLY - REPAIR 6-1

315T3522-1 thru -4, -13 thru -16, -25 thru -28, -33 thru -36,
 -39, -40, -43, -44, -47, -48

NOTE: Refer to REPAIR-GEN for list of applicable standard practices.

1. Bushing Replacement

- A. Remove bushings (720, 725B, 730, 755, 760A, Fig. 5) (55, 60, 110, 115, 120, Fig. 6).
- B. Install bushings (725B, 730, 760A, Fig. 5) (60, 115, 120, Fig. 6) using shrink-fit method.
- C. Machine ID to dimension shown (Fig. 601).
- D. Seal all flanged bushings with BMS 5-26 sealant.
- E. Apply 0.0003-0.0005 inch thick BMS 3-8, dry film lubricant, per 20-50-08 method 3, to bushings (720, 755, Fig. 5) (55, 110, Fig. 6).
- F. Install bushings (720, 755, Fig. 5), (55, 110, Fig. 6) per Fig. 601, and secure in place using aluminum wire.



315T3522-1 THRU -4, -13 THRU -16, -25 THRU -28, -33 THRU -36, -39, -40, -43, -44, -47, -48
 Hinge Fitting Bushing Replacement
 Figure 601

HINGE FITTING ASSEMBLY - REPAIR 6-2

315T3522-5, -7, -21, -23, -29, -31, -37, -41, -45

NOTE: Refer to REPAIR-GEN for list of applicable standard practices.

1. Repair

A. Installation of oversize bushings.

- (1) Remove bushings (725B, 730, 760A, IPL Fig. 5), (60, 115, 120, IPL Fig. 6).
- (2) Machine fitting as required, within repair limits shown in Fig. 601, to remove defects.
- (3) Manufacture oversize bushings per Fig. 602 and 603, as required. To compensate for amount of material removed in step A.(2).
- (4) Install oversize bushings replacing bushings (725B, 730, 760A, IPL Fig. 5), (60, 115, 120, IPL Fig. 6) using shrink-fit method.
- (5) Seal all flanged bushings with BMS 5-26 sealant.
- (6) Apply 0.0003-0.0005 inch thick BMS 3-8, dry film lubricant, per 20-50-08 method 3, to bushings (720, 755, IPL Fig. 5), (55, 110, IPL Fig. 6).
- (7) Install bushings (720, 755, IPL Fig. 5), (55, 110, IPL Fig. 6) per REPAIR 6-1.

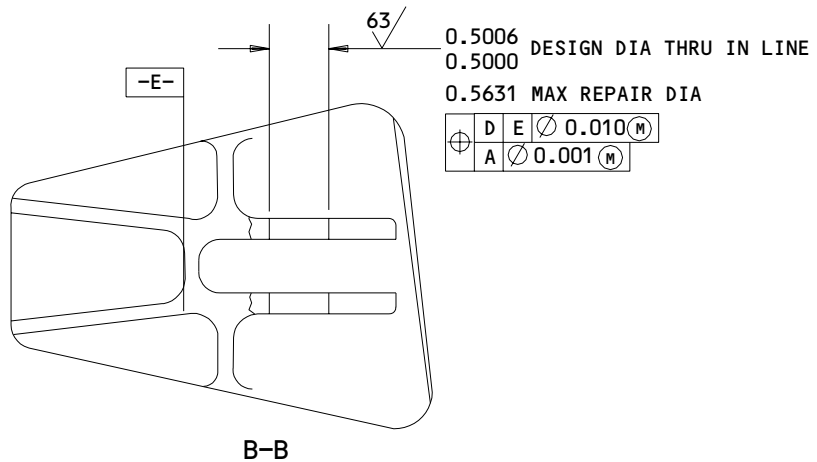
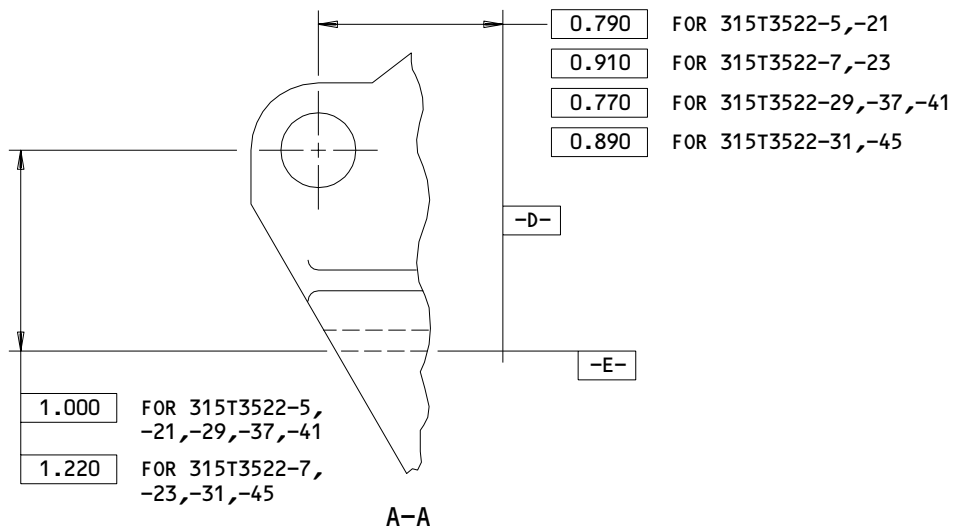
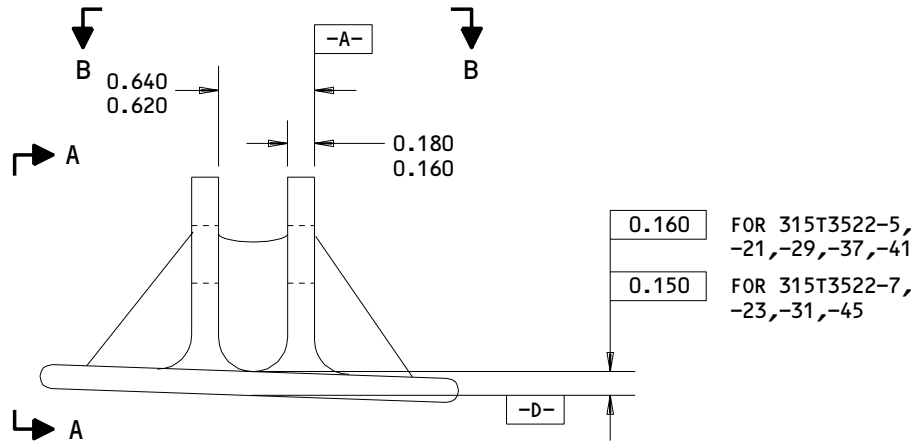
78-31-22

REPAIR 6-2

01.1

Page 601

Nov 01/03



REFINISH

CHROMIC ACID ANODIZE AND APPLY ONE COAT OF
 BMS 10-11, TYPE I, PRIMER (F-18.13)

MATERIAL: AL ALLOY
 ALL DIMENSIONS ARE IN INCHES

315T3522-5,-7,-21,-23,-29,-31,-37,-41,-45

Hinge Fitting Repair
 Figure 601 (Sheet 1)

78-31-22

REPAIR 6-2

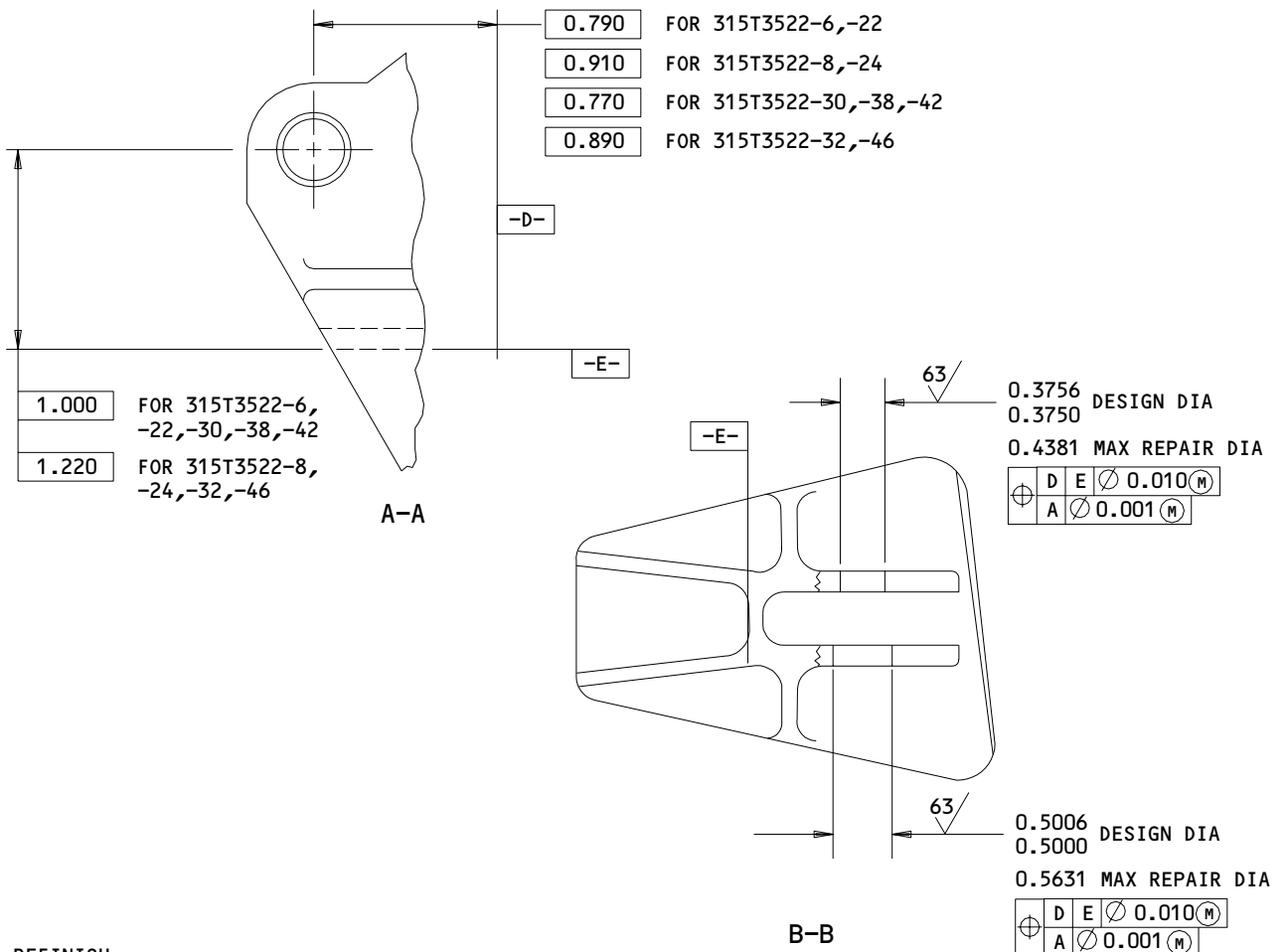
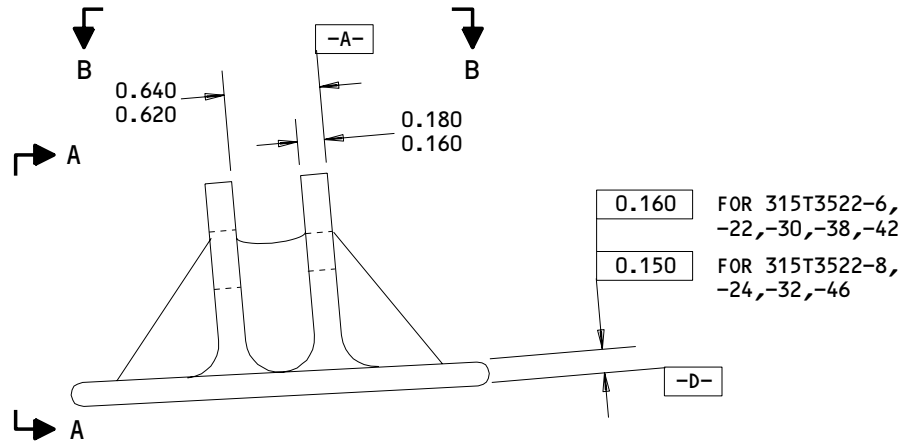
01.1

Page 602

Nov 01/03

315T3500
 315T3001
 315T4026 DASH NUMBERS
 LIMITED

BOEING
 COMPONENT
 MAINTENANCE MANUAL



REFINISH

CHROMIC ACID ANODIZE AND APPLY ONE COAT OF
 BMS 10-11, TYPE I, PRIMER (F-18.13)

MATERIAL: AL ALLOY

ALL DIMENSIONS ARE IN INCHES

315T3522-6, -8, -22, -24, -30, -32, -38, -42, -46

Hinge Fitting Repair
 Figure 601 (Sheet 2)

78-31-22

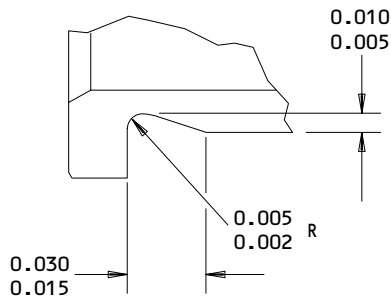
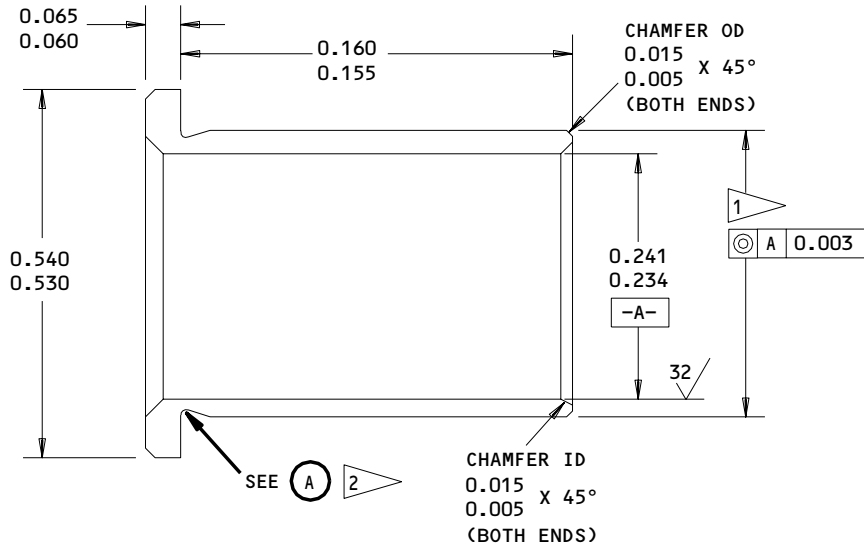
REPAIR 6-2

Page 603

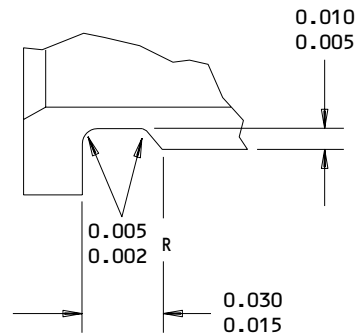
Nov 01/03

01.1

158880



TYPE I



TYPE II

(A)

FINISH

CADMIUM PLATE AS SHOWN IN SOPM 20-42-05

1 FINISHED OUTSIDE DIA EQUALS REPAIR DIA OF FITTING HOLE PLUS 0.0003-0.0015 INTERFERENCE

2 TYPE I OR TYPE II UNDERCUT IS OPTIONAL

MATERIAL: 15-5PH CRES, 180-200 KSI

63 ALL MACHINED SURFACES UNLESS SHOWN DIFFERENTLY

ALL DIMENSIONS ARE IN INCHES

DIMENSIONS APPLY AFTER PLATING

REPLACEMENT BUSHING FOR (730, IPL FIG. 5) (120, IPL FIG. 6)
 Oversize Bushing Details
 Figure 602

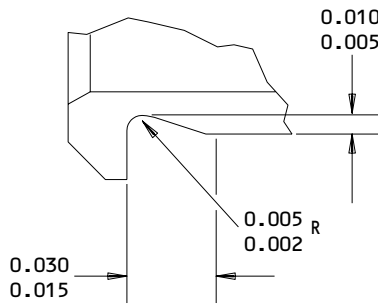
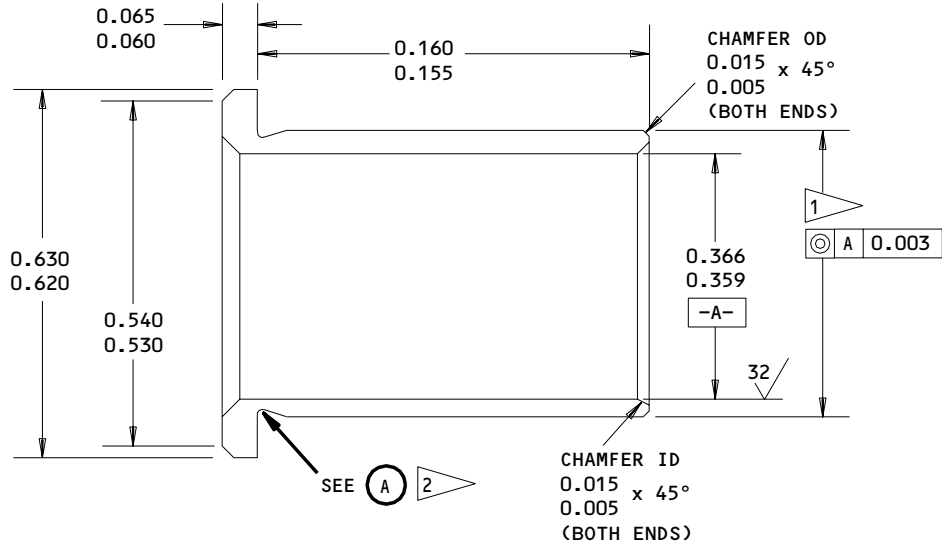
78-31-22

REPAIR 6-2

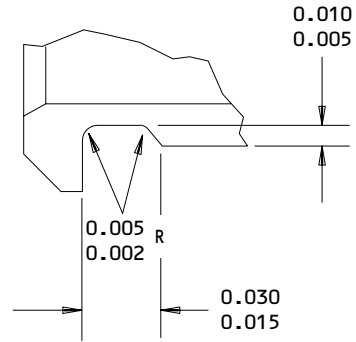
Page 604

Nov 01/03

01.1



TYPE I



TYPE II

(A)

FINISH

CADMIUM PLATE AS SHOWN IN SOPM 20-42-05

1 FINISHED OUTSIDE DIA EQUALS REPAIR DIA OF FITTING HOLE PLUS 0.0005-0.0017 INTERFERENCE

2 TYPE I OR TYPE II UNDERCUT IS OPTIONAL

MATERIAL: AL-N1-BR PER AMS 4640

63/ ALL MACHINED SURFACES UNLESS SHOWN DIFFERENTLY

ALL DIMENSIONS ARE IN INCHES

DIMENSIONS APPLY AFTER PLATING

REPLACEMENT BUSHING FOR (725B,760A, IPL FIG. 5) (60,115, IPL FIG. 6)

Oversize Bushing Details
 Figure 603 (Sheet 1)

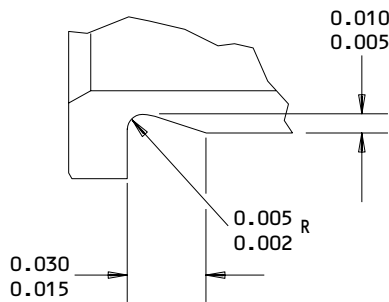
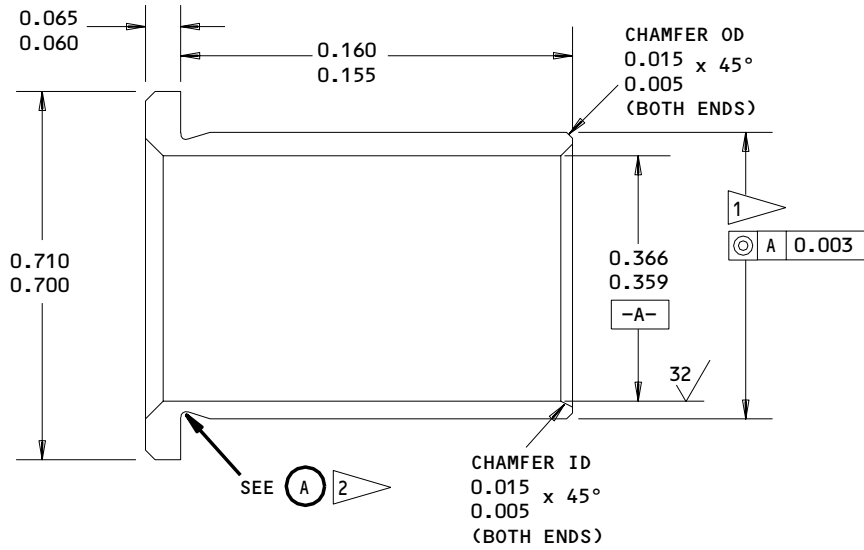
78-31-22

REPAIR 6-2

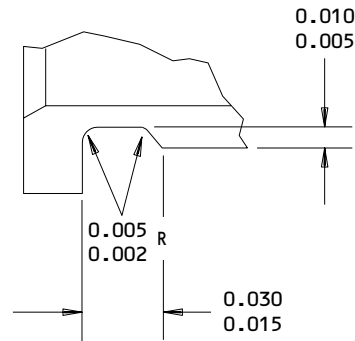
Page 605

Nov 01/03

01.1



TYPE I



TYPE II

(A)

FINISH

CADMIUM PLATE AS SHOWN IN SOPM 20-42-05

MATERIAL: 15-5PH CRES, 180-200 KSI

1 FINISHED OUTSIDE DIA EQUALS REPAIR DIA OF FITTING HOLE PLUS 0.0003-0.0015 INTERFERENCE

63 ALL MACHINED SURFACES UNLESS SHOWN DIFFERENTLY

2 TYPE I OR TYPE II UNDERCUT IS OPTIONAL

ALL DIMENSIONS ARE IN INCHES

DIMENSIONS APPLY AFTER PLATING

REPLACEMENT BUSHING FOR (60A,115A, IPL FIG. 6)

Oversize Bushing Details
 Figure 603 (Sheet 2)

78-31-22

REPAIR 6-2

Page 606

Nov 01/03

01.1

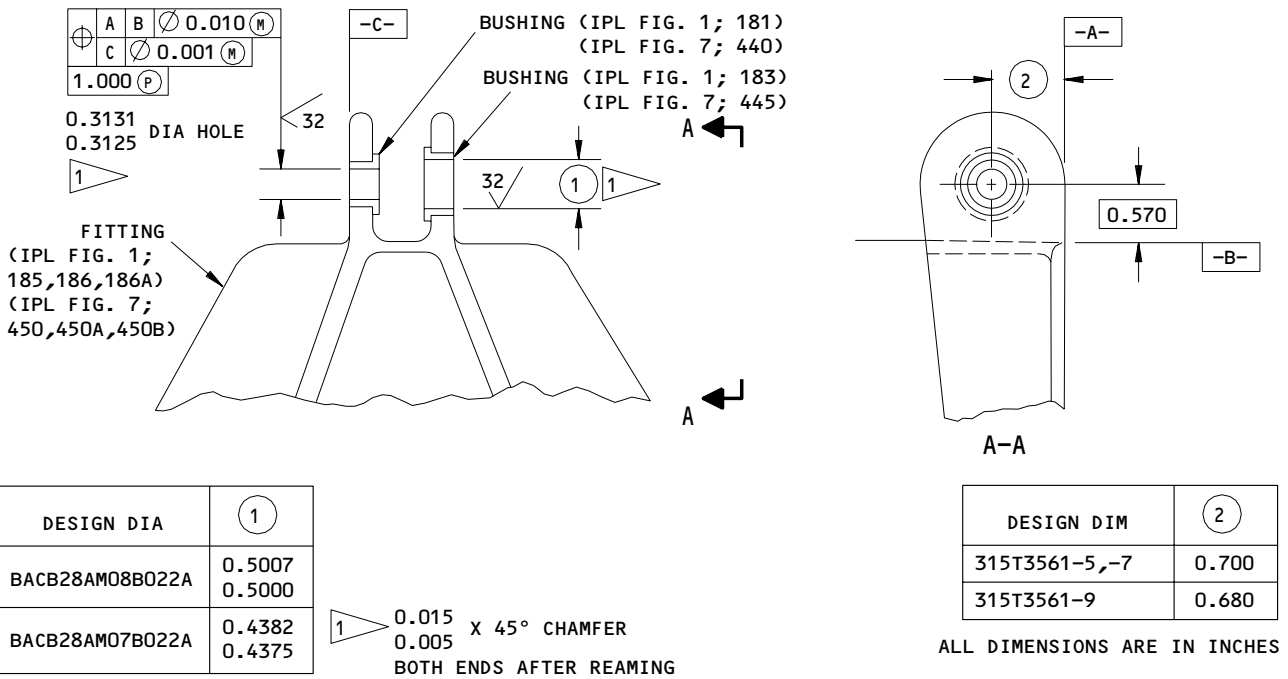
ACTUATOR ATTACH FITTING – REPAIR 7-1

315T3561-4, -6, -8

1. Bushing Replacement

NOTE: Refer to REPAIR-GEN for list of applicable standard practices.

- A. Remove bushings (181, 183, Fig. 1; 440, 445, Fig. 7).
- B. Install new bushings using shrink-fit method per SOPM 20-50-03.
- C. Check dimensions and machine as necessary.
- D. Fillet seal bushing flanges with BMS 5-26 sealant.



315T3561-4,-6,-8
 Bushing Replacement
 Figure 601

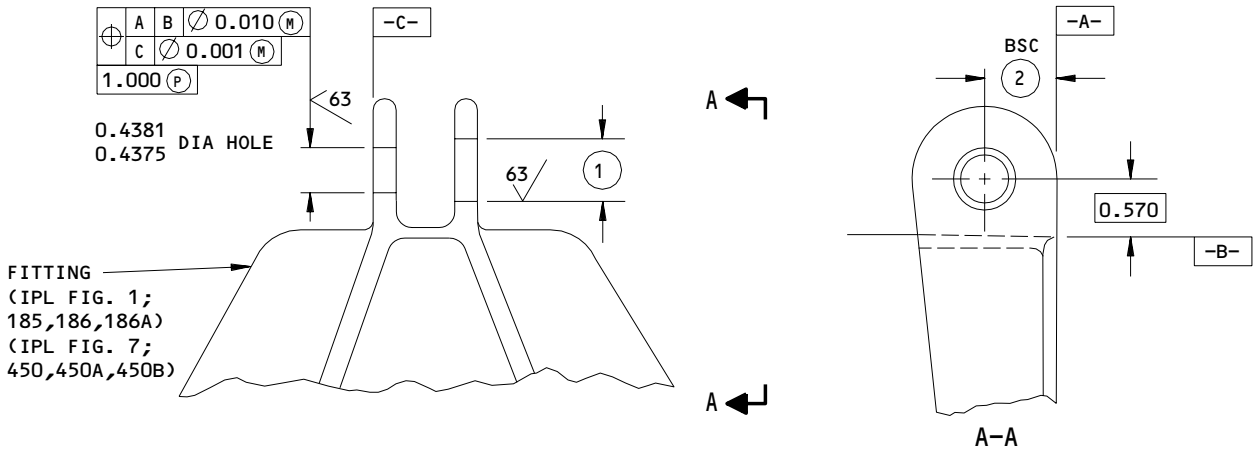
24777

FITTING - REPAIR 7-2

315T3561-5, -7, -9

1. Plating Repair

NOTE: Repair consists of restoration of original finish. Refer to Refinish instructions, Fig. 601 and to REPAIR-GEN for list of applicable standard practices.



DESIGN DIA	(1)
315T3561-5	0.6256 0.6250
315T3561-7,-9	0.5631 0.5625

REFINISH
 CHROMIC ACID ANODIZE ACCORDING TO MIL-A-8625, TYPE I. APPLY ONE COAT OF BMS 10-11, TYPE I PRIMER (F-18.13)

DESIGN DIM	(2)
315T3561-5,-7	0.700
315T3561-9	0.680

MATERIAL: 7075-T73 AL ALLOY
 ALL DIMENSIONS ARE IN INCHES

315T3561-4,-6,-8
 Fitting Repair
 Figure 601

24780

78-31-22

REPAIR 7-2

01.1

Page 601

Nov 01/03

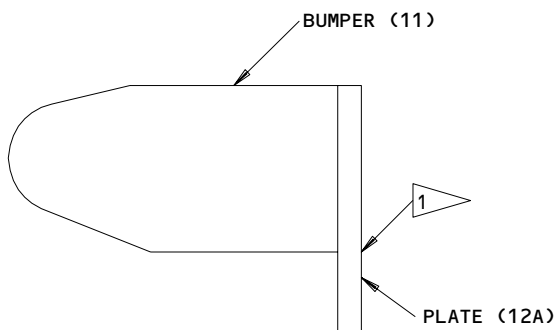
OUTER COWL PANEL ASSEMBLY – REPAIR 8-1

315T3563-1

NOTE: Refer to REPAIR-GEN for list of applicable standard practices.

1. Bumper Replacement (6, Fig. 1)

- A. Remove bumper
- B. Bond bumper to plate per 20-50-12 using 93-076 adhesive.



REFINISH

1 APPLY TWO COATS BMS 10-11, TYPE I,
PRIMER TO SURFACE INDICATED
(F-20.03)

MATERIAL: BASE PLATE AISI 301 CRES
ITEM NUMBERS REFER TO IPL FIG. 1

315T3563-1
Outer Cowl Bumper Sleeve Repair
Figure 601

24847

78-31-22

REPAIR 8-1

Page 601

Nov 01/03

01.1

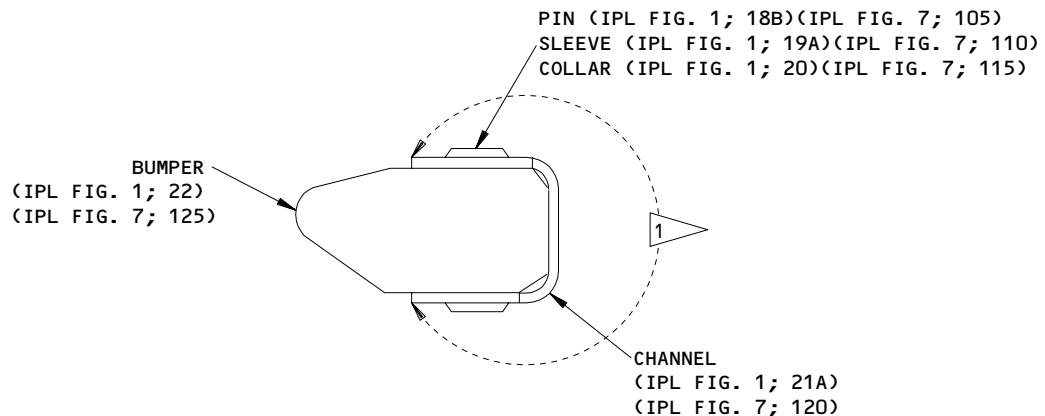
OUTER COWL PANEL ASSEMBLY – REPAIR 8-2

315T3563-4

NOTE: Refer to REPAIR-GEN for list of applicable standard practices.

1. Bumper Replacement (6A, Fig. 1)

- A. Remove collar (20, Fig. 1; 115, Fig. 7), pin (18B, Fig. 1; 105, Fig. 7), sleeve (19A, Fig. 1; 110, Fig. 7), and bumper (22, Fig. 1; 125, Fig. 7) from channel (21A, Fig. 1; 120, Fig. 7).
- B. Bond bumper (22, Fig. 1; 125, Fig. 7) inside channel (21A, Fig. 1; 120, Fig. 7) per SOPM 20-50-12 using 93-076 adhesive.
- C. Drill two 0.203-0.208 inch diameter holes thru bumper (22, Fig. 1, 125, Fig. 7) using existing hole locations on channel (21A, Fig. 1; 120, Fig. 7).
- D. Install sleeve (19A, Fig. 1; 110, Fig. 7) and pin (18B, Fig. 1; 105, Fig. 7) thru channel (21A, Fig. 1; 120, Fig. 7) and bumper (22, Fig. 1; 125, Fig. 7), secure in place using collar (20, Fig. 1, 115, Fig. 7).
- E. Refinish channel (21A) per Fig. 601.



REFINISH

1 APPLY TWO COATS BMS 10-11, TYPE I,
PRIMER TO INDICATED SURFACE (F-20.03)

CHANNEL MATERIAL: AISI 301 CRES

315T3563-4
Outer Cowl Bumper Repair
Figure 601

78-31-22
REPAIR 8-2
Page 601
Nov 01/03

01.1

BLOCKER DOOR ASSEMBLY – REPAIR 9-1

315T3507-1, -43, -63, -65, -71 -72, -73
315T3508-87 thru -90, -137, -138, -147, -148, -157 thru -162
315T3509-45, -46, -71, -72, -93, -94, -99, -100, -109 thru -116
315T3001-14 thru -22, -31

NOTE: Refer to REPAIR-GEN for list of applicable standard practices.

1. Fitting Replacement (Fig. 2, 3, 4)

- A. Remove hinge fitting assemblies (5, 40, Fig. 2; 10, 15, 60, 65, Fig. 3; 10, 15, 85, Fig. 4) by removing attaching bolts, collars, and shims.
- B. Position and secure hinge fitting assemblies on blocker door panel assemblies using blocker door hinge replacement jig A78015 and attaching bolts, collars, and shims.

NOTE: Use as many BACS40R10C10F shims between fitting assembly and blocker door as required, at fastener location, to achieve proper adjustment.

78-31-22

REPAIR 9-1

01.1

Page 601

Nov 01/03

HINGE FITTING ASSEMBLY – REPAIR 9-2

315T3580-7, -8, -11, -12, -15, -16
315T3584-1, -2, -9, -10, -11, -12, -15, -16, -19, -20

NOTE: Refer to REPAIR-GEN for list of applicable standard practices.

1. Fitting Repair (Fig. 2, 3, 4)

- A. Check damaged area per Fig. 601 to ensure damage on fitting lug does not exceed specified repair limit.
- B. Blend out damaged area smoothly with surrounding contours over an area 10 times longer than damaged groove depth. Maintain minimum surface finish of 63 microinches.
- C. Penetrant check repaired area per 20-20-02.
- D. Refinish hinge fitting per Fig. 601.

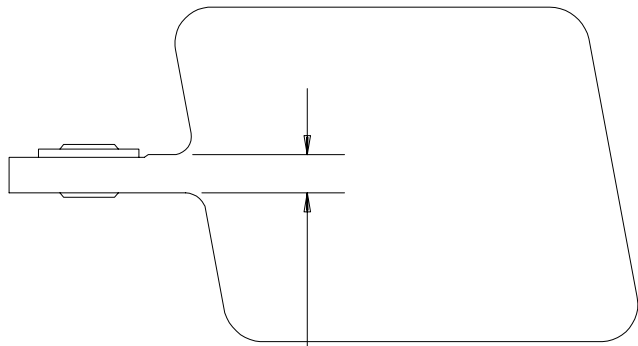
78-31-22

REPAIR 9-2

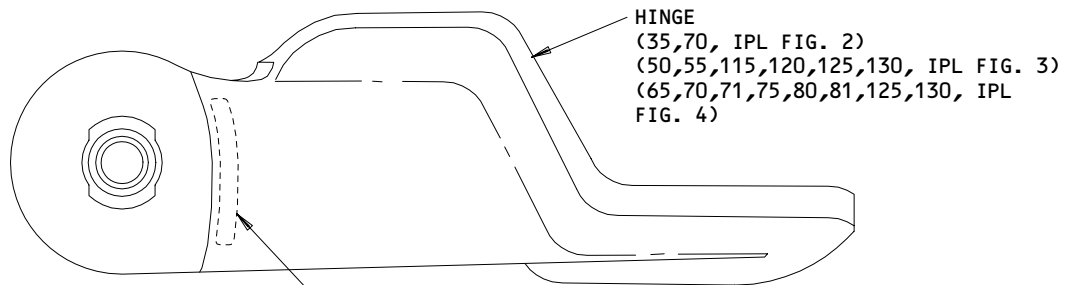
01.1

Page 601

Nov 01/03



MINIMUM LUG THICKNESS AT NOTCH
OR GROOVE MUST NOT BE LESS THAN
0.190 INCH



HINGE
(35,70, IPL FIG. 2)
(50,55,115,120,125,130, IPL FIG. 3)
(65,70,71,75,80,81,125,130, IPL
FIG. 4)

TYPICAL DAMAGED AREA
(EITHER OR BOTH SIDES)

REFINISH

CHROMIC ACID ANODIZE AND APPLY ONE COAT
BMS 10-11, TYPE I, PRIMER (F-18.13)

MATERIAL: AL ALLOY

315T3580-7,-8,-11,-12,-15,-16
315T3584-1,-2,-9,-10,-11,-12,-15,-16,-19,-20
Hinge Fitting Repair
Figure 601

158926

78-31-22

REPAIR 9-2

01.1

Page 602

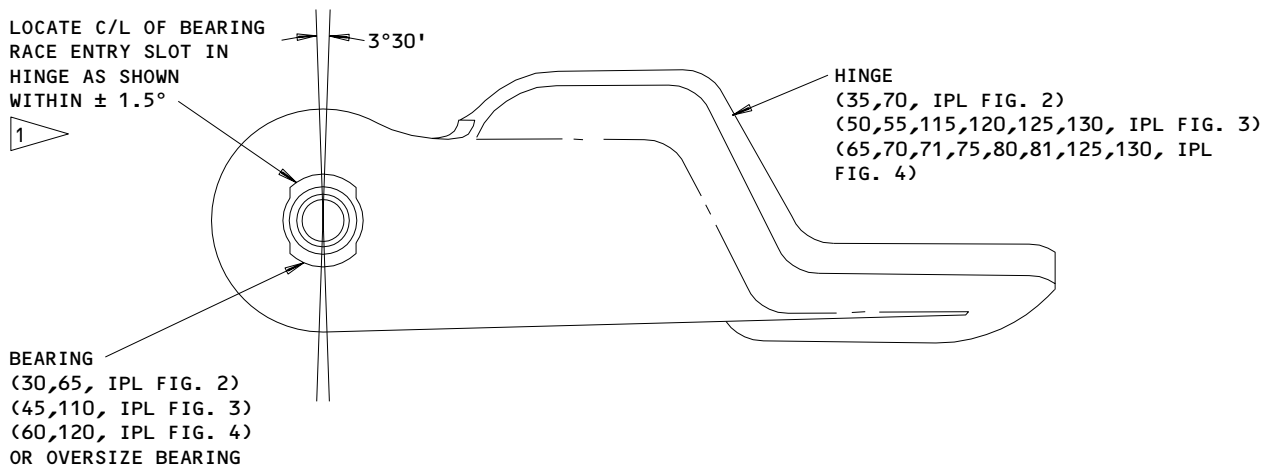
Nov 01/03

2. Bearing Replacement

A. Installation of original bearing.

- (1) Press out bearings.
- (2) Locate new bearing race slot as indicated in Fig. 602.
- (3) Install and swage bearing race per 20-50-03 and Fig. 602.

NOTE: Tie bearing ball to assembly with aluminum wire or equivalent.
Remove wire on installation.



1 LOOSENESS IS NOT PERMITTED AFTER SWAGING. PUSH OUT LOAD IS 1045 LBS

MATERIAL: AL ALLOY

315T3580-7,-8,-11,-12,-15,-16
315T3584-1,-2,-9,-10,-11,-12,-15,-16,-19,-20
Hinge Fitting Bearing Replacement
Figure 602

B. Installation of oversize bearing race.

- (1) Remove bearing flange and press out damaged bearing.
- (2) Machine fitting as required to remove defects within repair limits as shown in Fig. 605.
- (3) Shot peen fitting hole.
- (4) Select appropriate oversize bearing from Fig. 605.
- (5) Install bearing as shown in step 2.A.

78-31-22

REPAIR 9-2

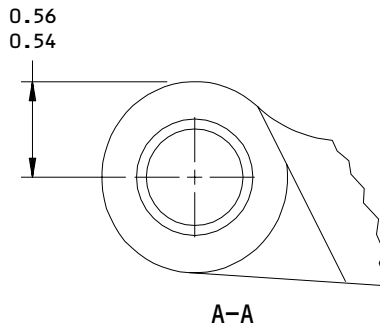
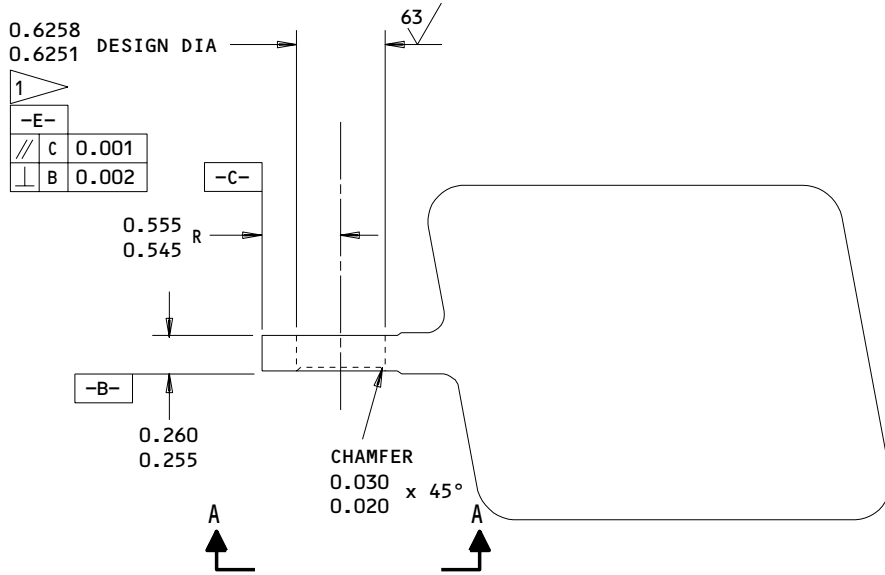
01.1

Page 604

Nov 01/03

315T3500
 315T3001
 315T4026 DASH NUMBERS
 LIMITED

BOEING
 COMPONENT
 MAINTENANCE MANUAL



REFINISH

CHROMIC ACID ANODIZE AND APPLY ONE COAT
 BMS 10-11, TYPE I, PRIMER (F-18.13)

1 SEE FIG. 605 FOR OVERSIZE BEARING HOLE
 REPAIR LIMITS

REFINISH

125/ ALL MACHINED SURFACES UNLESS SHOWN
 DIFFERENTLY

RADIUS OR CHAMFER ALL SHARP EDGES
 0.01-0.02 EXCEPT AS NOTED

SHOT PEEN: 0.0230-0.0550 SHOT SIZE
 0.004A-0.007

MATERIAL: AL ALLOY

ALL DIMENSIONS ARE IN INCHES

315T3580-7,-8,-11,-12,-15,-16
 315T3584-1,-2,-9,-10,-11,-12,-15,-16
 Fitting Assembly Repair
 Figure 603

78-31-22

REPAIR 9-2

Page 605

Nov 01/03

01.1

158948

HOLE DIAMETER IN LINK	OVERSIZE BEARING OUTER DIAMETER	VALLEY TODECO PART NUMBER
0.6308 0.6301	0.6300 0.6295	VTB04540 P05
0.6358 0.6351	0.6350 0.6345	VTB04540 P10
0.6458 0.6451	0.6450 0.6445	VTB04540 P20
0.6558 0.6551	0.6550 0.6545	VTB0454 P30
0.6858 0.6851	0.6850 0.6845	VTB0454 P60

1 REPAIR LIMIT FOR INSTALLATION OF OVERSIZE
 BEARING

Oversize Bearing
 Figure 605

78-31-22

REPAIR 9-2
 Page 607
 Nov 01/03

01.1

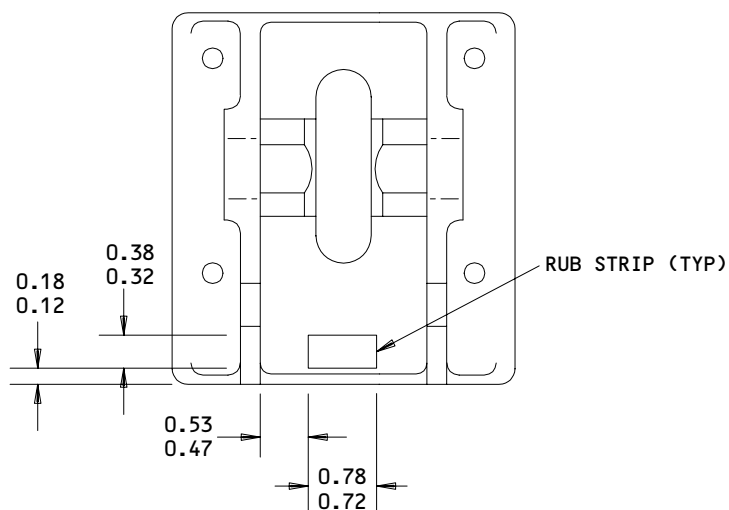
LINK ATTACH FITTING ASSEMBLY – REPAIR 10-1

315T3581-3

NOTE: Refer to REPAIR-GEN for list of applicable standard practices.

1. Rubstrip Replacement (90, Fig. 2; 150, Fig. 3 and 4)

- A. Remove rubstrip.
- B. Bond rubstrip to link attach fitting per 20-50-12, type 44, using BMS 5-44.



REFINISH

ANODIZE ACCORDING TO MIL-A-8625, TYPE 1
OR 2 (F-17.05). APPLY ONE COAT OF
BMS 10-11, TYPE I, PRIMER (F-20.02)

MATERIAL: AL ALLOY
ALL DIMENSIONS ARE IN INCHES

315T3581-3

Rub Strip Replacement
Figure 601

LINK ATTACH FITTING ASSEMBLY – REPAIR 10-2

315T3581-5, -7, -11, -12, -13

NOTE: Refer to REPAIR-GEN for list of applicable standard practices.

1. Bushing Replacement (95L, 95M, 95P, 95Q, 95R, Fig. 2; 155D, 155F, 155G, 155H, 155J, Fig. 3; 159, 159A, 160, 160J, 161, Fig. 4)
 - A. Remove bushings.
 - B. Install new bushings using shrink-fit method per 20-50-03.
 - C. Check dimensions per Fig. 601 and machine as necessary.
2. Rubstrip Replacement (90, Fig. 2; 150, Fig. 3 & 4)
 - A. Remove rubstrip.
 - B. Locate new rubstrip per Fig. 601, and bond in place per 20-50-12, type 44, using BMS 5-44.

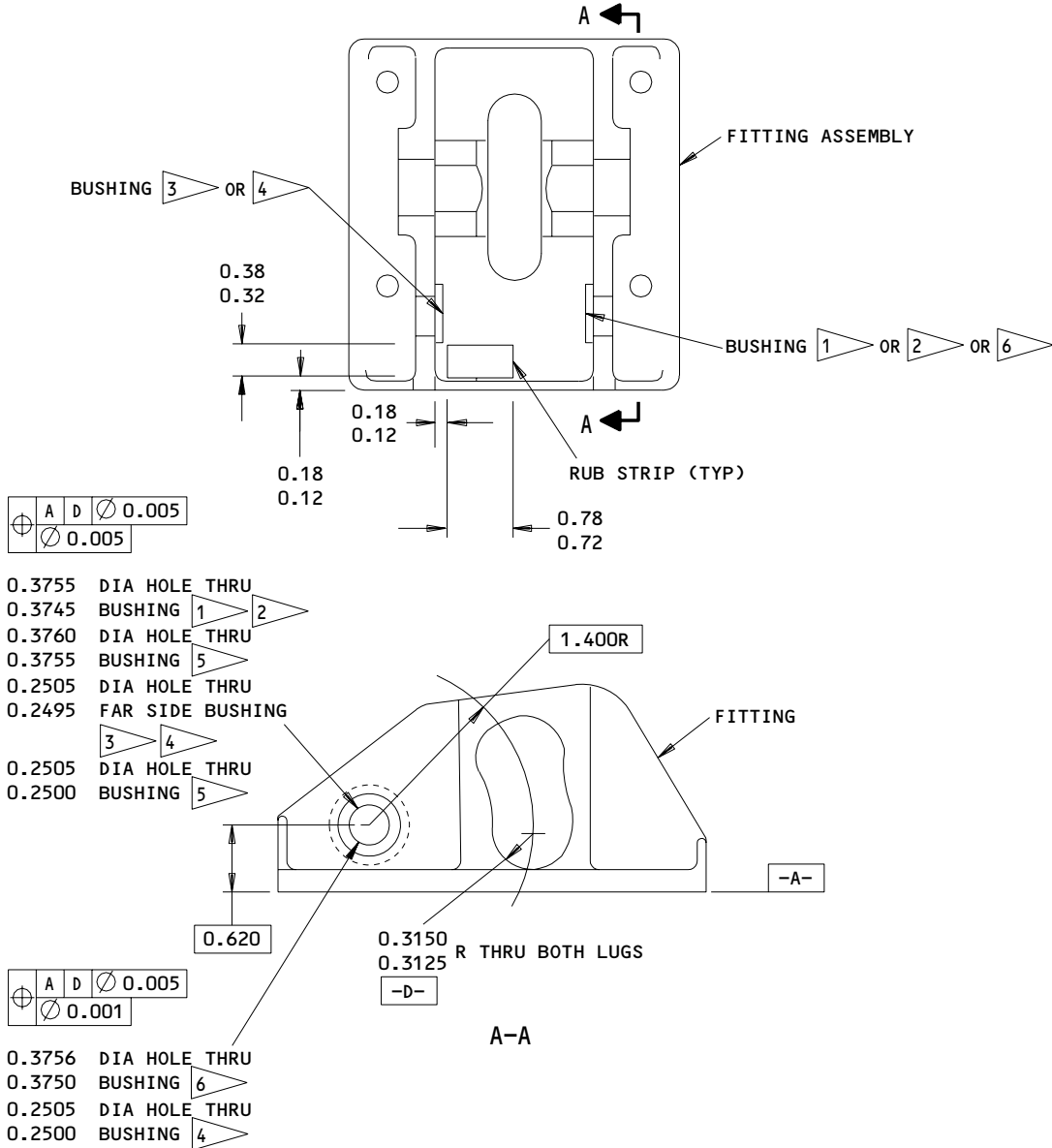
78-31-22

REPAIR 10-2

01.1

Page 601

Nov 01/03



- 0.3755 DIA HOLE THRU
- 0.3745 BUSHING 1 2
- 0.3760 DIA HOLE THRU
- 0.3755 BUSHING 5
- 0.2505 DIA HOLE THRU
- 0.2495 FAR SIDE BUSHING
- 0.2505 DIA HOLE THRU
- 0.2500 BUSHING 5

- 0.3756 DIA HOLE THRU
- 0.3750 BUSHING 6
- 0.2505 DIA HOLE THRU
- 0.2500 BUSHING 4

REFINISH

ANODIZE (F-17.05) AND APPLY ONE COAT
 BMS 10-11, TYPE I PRIMER (F-20.02) ALL OVER

MATERIAL: AL ALLOY

ALL DIMENSIONS ARE IN INCHES

- 1 ITEMS (95M, IPL FIG. 2), (155D, IPL FIG. 3), (159, IPL FIG. 4)
- 2 ITEMS (95P, IPL FIG. 2), (155F, IPL FIG. 3), (160, IPL FIG. 4)
- 3 ITEMS (95L, IPL FIG. 2), (155J, IPL FIG. 3), (159A, IPL FIG. 4)

- 4 ITEMS (95Q, IPL FIG. 2), (155G, IPL FIG. 3), (161, IPL FIG. 4)
- 5 315T3581-12 ONLY
- 6 ITEMS (95R, IPL FIG. 2), (155H, IPL FIG. 3), (160J, IPL FIG. 4)
 315T3581-13 ONLY

315T3581-5,-7,-11,-12,-13
 Bushing and Rub Strip Replacement
 Figure 601

78-31-22

REPAIR 10-2

Page 602

Nov 01/03

01.1

PIVOT LINK ASSEMBLY – REPAIR 11-1

315T3592-1, -3, -4, -5

NOTE: Refer to REPAIR-GEN for list of applicable standard practices.

1. Bushing Replacement (150, 170, IPL Fig. 2; 275, 280, IPL Fig. 3; 290, 295, IPL Fig. 4)
 - A. Remove bushings.
 - B. Install new bushings using shrink fit method per 20-50-03.
 - C. Machine inside diameter of bushings per Fig. 601.
 - D. Chamfer inside diameter of bushings 0.005-0.015 inch by 45° both ends.
 - E. Fillet seal bushing flanges with BMS 5-26 sealant.

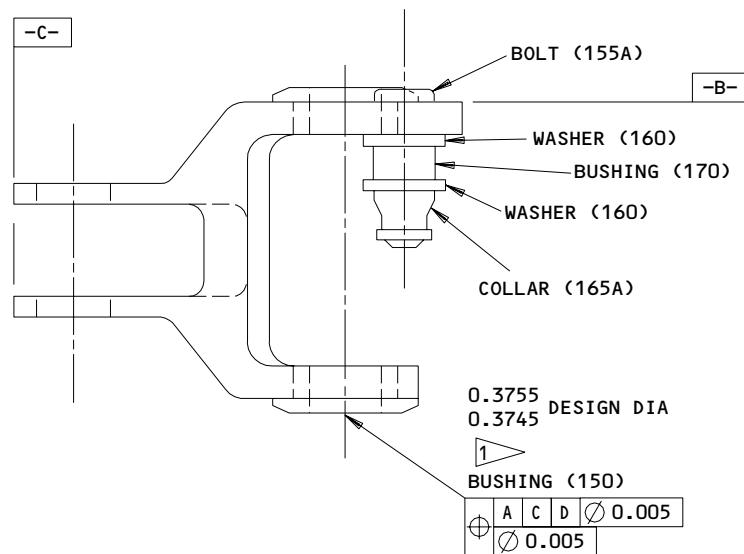
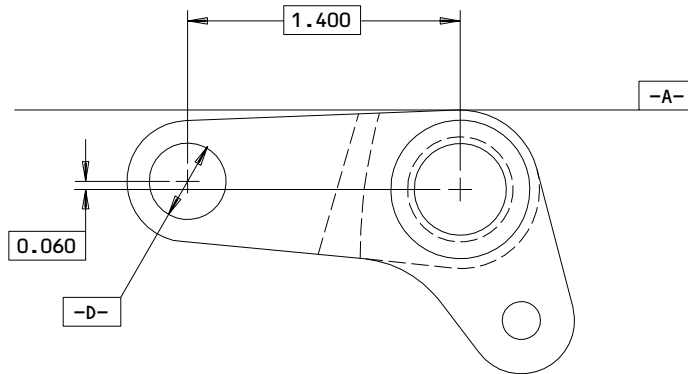
78-31-22

REPAIR 11-1

01.1

Page 601

Nov 01/03



REFINISH

LINK (155): CHROMIC ACID ANODIZE AND APPLY ONE COAT BMS 10-11, TYPE 1 PRIMER (F-18.13)

1 REAM BUSHINGS TO DIMENSIONS SHOWN AFTER INSTALLATION

REPAIR

125/ ALL MACHINED SURFACES

MATERIAL: LINK (155) - AL ALLOY

SHOT PEEN: SIZE 230-550, INTENSITY 0.014A, COVERAGE 1.0

ALL DIMENSIONS ARE IN INCHES

ITEM NUMBERS REFER TO FIG. 2

315T3592-1 (SHOWN)
 315T3592-3,-4,-5
 Pivot Link Assy Repair and Refinish
 Figure 601

78-31-22

REPAIR 11-1

01.1

Page 602

Nov 01/03

MISCELLANEOUS PARTS REFINISH – REPAIR 12-1

1. Repair of parts listed in Fig. 601 consists of restoration of original finish.

IPL FIG. & ITEM	MATERIAL	FINISH
<u>Fig. 1</u>		
Retainer (5N,5P, 5Q,5R)	Al alloy	Chemically treat and apply one coat BMS 10-11, Type 1, primer all over (F-18.06).
Link (558A)	15-5 PH CRES 180-200 Ksi	Passivate all over (F-17.09).
Bushing (546)	15-5 PH CRES 180-200 KSI	Chrome plate (F-15.03) 0.001-0.002 inch thick on OD only.
Spring (534)	17-7 PH CRES	Apply BMS 3-8 Class A lubricant (F-19.10).
Fitting (103,486, 489,519,522)	Al alloy	Chromic acid anodize (F-17.05), and apply one coat BMS 10-11, Type 1 primer (F-20.02). Apply one coat BMS 10-11, Type 2 enamel color BAC702 (F-21.03).

Refinish Details
 Figure 601 (Sheet 1)

78-31-22

REPAIR 12-1

01.1

Page 601

Nov 01/03

IPL FIG. & ITEM	MATERIAL	FINISH
<u>Fig. 2</u>		
Panel Assembly (100)	Al alloy	<p>Top skin - reactivate adhesive surface except use Scotch Brite to remove gloss. Apply one coat aluminized epoxy primer (SRF-14.963).</p> <p>Bottom skin and edges - apply one coat BMS 10-11, Type 1, primer (F-20.02).</p>
Bushing (95M,95Q) Washer (110)	15-5 PH CRES 180-200 Ksi	Cadmium plate (F-15.06).
Spring (130)	17-7 PH CRES	Apply solid film lubricant BMS 3-8 (F-19.10).
<u>Fig. 3</u>		
Panel Assembly (205,210)	Al alloy	<p>Top skin - Reactivate adhesive surface except use Scotch Brite to remove gloss. Apply one coat aluminized epoxy primer (SRF-14.963). Bottom skin and edges - Apply one coat BMS 10-11, Type 1, primer (F-20.02).</p>
Bushing (155G, 155H) Washer (220)	15-5 PH CRES 180-200 Ksi	Cadmium plate (F-15.06).
Spring (240)	17-7 PH CRES	Apply solid film lubricant BMS 3-8 (F-19.10).

Refinish Details
 Figure 601 (Sheet 2)

IPL FIG. & ITEM	MATERIAL	FINISH
<u>Fig. 4</u>		
Panel Assembly (205,210)	Al alloy	Top skin - Reactivate adhesive surface except use Scotch Brite to remove gloss. Apply one coat aluminized epoxy primer (SRF-14.963). Bottom skin and edges - Apply one coat BMS 10-11, Type 1, primer (F-20.02).
Bushing (159A, 160J,161)	15-5 PH CRES	Cadmium plate (F-15.06).
Washer (235)	180-200 Ksi	
Spring (255)	17-7 PH CRES	Apply solid film lubricant BMS 3-8 (F-19.10).
<u>Fig. 5</u>		
Fairing Assembly (10,15,175,215, 220)	Al alloy	Reactivate adhesive primed surface using Scotch Brite to remove gloss. Apply one coat of aluminized epoxy primer (SRF-14.963).
Fairing (65, 70, 80, 100, 110, 130, 150, 155)	Al alloy	Chemically treat (F-17.07) and apply one coat of BMS 10-11, Type 1, primer (F-18.06).

Refinish Details
 Figure 601 (Sheet 3)

IPL FIG. & ITEM	MATERIAL	FINISH
<u>Fig. 5</u> (Cont)		
Clip (265,283,284, 285,291,293,300, 445,450,828,837, 846,900,940)	Al alloy	Chemically treat (F-17.07) and apply one coat of BMS 10-11, Type 1, primer (F-18.06)
Clip (320,325)	Al alloy	Chromic acid anodize and apply one coat of BMS 10-11, Type 1, primer (F-18.13).
Stiffener (340, 345, 350, 355)	Al alloy	Chromic acid anodize and apply one coat of BMS 10-11, Type 1, primer (F-18.13).
Doubler (390)	Al alloy	Chemically treat (F-17.07) and apply one coat BMS 10-11, Type 1, primer (F-18.06).
Intercostal (405, 410)	Al alloy	Chemically treat (F-17.07) and apply one coat BMS 10-11, Type 1, primer (F-18.06).
Bracket (460, 465)	Al alloy	Chemically treat (F-17.07) and apply one coat BMS 10-11, Type 1, primer (F-18.06).
Pan (495)	Al alloy	Chemically treat (F-17.07) and apply one coat BMS 10-11, Type 1, primer (F-18.06).

Refinish Details
 Figure 601 (Sheet 4)

78-31-22

REPAIR 12-1

01.1

Page 604

Nov 01/03

IPL FIG. & ITEM	MATERIAL	FINISH
<u>Fig. 5</u> (Cont)		
Retainer (560, 565, 570, 575)	Al alloy	Chemically treat (F-17.07) and apply one coat BMS 10-11, Type 1, primer (F-18.06).
Retainer (545)	17-7 PH CRES 150-170 KSI	Cadmium plate and apply one coat of BMS 10-11, Type 1, primer.
Bond Assembly (595,600)	Aluminum honeycomb	Apply one coat of BMS 10-11, Type 1, primer.
Fitting (660,735A, 740A,765A,770A)	Al alloy	Chromic acid anodize and apply one coat of BMS 10-11, Type 1, primer (F-18.13).
Ring (665,670) 670) Bracket (812D,855, 857A,891,891A) Splice Plate (873,882)	Al alloy	Chromic acid anodize and apply one coat of BMS 10-11, Type 1, primer (F-18.13).
<u>Fig. 6</u>		
Fitting (65,70, 125,130)	Al alloy	Chromic acid anodize and apply one coat BMS 10-11, Type 1, primer (F-18.13).

Refinish Details
 Figure 601 (Sheet 5)

IPL FIG. & ITEM	MATERIAL	FINISH
<u>Fig. 7</u> Retainer (45,50,55,60) Link (698) Bushing (686) Fitting (350,662,674)	Al alloy 15-5 PH CRES 180-200 ksi 15-5 PH CRES 180-200 ksi Al alloy	Chemically treat and apply one coat BMS 10-11, Type 1, primer all over (F-18.06). Passivate all over (F-17.09). Chrome plate (F-15.03) 0.001-0.002 inch thick on OD only. Chromic acid anodize (F-17.05), and apply one coat BMS 10-11, Type 1 primer (F-20.02). Apply one coat BMS 10-11, Type 2, enamel color BAC702 (F-21.03).

Refinish Details
 Figure 601 (Sheet 6)

78-31-22

REPAIR 12-1

01.1

Page 606

Nov 01/03

ASSEMBLY

1. Material

NOTE: Equivalent substitutes may be used.

- A. Sealant - BMS 5-79 (Ref 20-60-04)
- B. Sealant - BMS 5-95 (opt to BMS 5-79)
- C. Sealant - BMS 5-26, class B (Ref 20-60-04)
- D. Coating - Alodine 1200S
- E. Finish - Tereco 155 (Ref 20-60-04)
- F. Adhesive - Type 60 (Ref 20-50-12)
- G. Grease - BMS 3-24 (ref 20-60-03)
- H. Primer - BMS 10-11, Type 1 (Ref 20-60-02)
- I. Primer - Aluminized, epoxy (SRF 14.963)
- J. Compound - BMS 5-28, Type 6
- K. Sealant - BMS 5-63

2. Assembly

- A. Hinge Bulkhead Assembly (IPL Fig. 6)

(1) 315T3500-5006, -5015, -5023, -5024 Sleeve Assemblies -- Locate fitting assemblies (20, 25, 75, 80) on bulkhead assemblies (10, 15) and check that gap between faying surfaces does not exceed 0.01 inch, use maximum of one BACCS40R10C10F shim at each attaching point as necessary. Install shims using BMS 10-11, type 1, primer. Secure fitting assemblies in place using bolts (30, 45, 85, 100), washers (35, 90), collar (50, 105) and nuts (40, 95).

- B. Diaphragm Assy (IPL Fig. 5)

NOTE: Install all fasteners penetrating honeycomb panels with wet BMS 5-63 sealant under heads. Fillet seal collars and nutplates with BMS 5-63 sealant.

78-31-22

ASSEMBLY
Page 701
Nov 01/03

01.1

- (1) Install bracket (812D, 857A) using bolts (810, 810G) and collars (811).
- (2) Attach clips (265, 300) to fairing assys (10, 15) with rivets (20, 21A). Install shims (40) if required using BMS 10-11, type 1, primer. Maximum gap prior to fastener installation 0.01 inch.
- (3) Attach doubler (45) and fairing (55) using bolts (23, 270, 305), washers (30, 275, 310), and nuts (35, 280, 315). Install shim (40) if required, using BMS 10-11, type 1, primer. Maximum gap prior to fastener installation 0.01 inch. Completely fill fastener holes in honeycomb with BMS 5-63 sealant and install fastener thru wet sealant.
- (4) Attach clips (283, 285, 320) and fairings (65, 80) to stiffeners (340, 355) and fitting (655) with rivets (75A, 85A), bolts (90, 287, 330), and collars (95, 289, 335).
- (5) Attach clips (300) to fairing (210) using rivets (180A).
- (6) Attach fairing assy (175) with doubler (205) using bolts (185, 788A, 305), washers (195, 310), and nuts (200, 315).
- (7) Attach fairing (110) to bulkhead assembly (700) with rivets (115) and to clips (320) with bolts (120) and collars (125). Attach clips (320) to intercostals (405, 410) with bolts (330) and collars (335).
- (8) Attach clips (291, 293, 300) to fairing (255) with rivets (225, 227A, 295A). Attach fairing (255) assembly and doubler (250) to ring (665) using bolts (235A, 305), washers (240, 310), and nuts (245, 315).
- (9) Attach stiffeners (340, 345, 350, 355) to intercostals (405, 410) using bolts (375, 380, 395) and collars (385, 400). Use doublers (390) under stiffeners (340, 345).
- (10) Attach preload assemblies (397, 398) to intercostals (405, 410) using bolts (430) and collars (440).
- (11) Attach fairings (130, 150, 155) to bulkhead assembly (700) with rivets (135A, 160A) and to clips (320, 325) using bolts (140, 330) and collars (145, 335). Attach clips (283, 285, 320, 325) to stiffeners (345, 350) and fitting (660) using bolts (287, 330) and collars (289, 335).

78-31-22

ASSEMBLY
Page 702
Nov 01/03

01.1

- (12) Attach stiffeners (340, 345, 350, 355) to bulkhead assembly (700) with bolts (365, 370), collars (385), and rivets (360).
- (13) Secure doublers (630, 635, 640) with bolts (645) and collars (650).
- (14) Attach nutplates (685) to pan (495) using rivets (690). Install shims (695) if required using BMS 10-11, Type 1, primer. Maximum gap prior to fastener installation 0.01 inch. Install nutplates using wet BMS 10-11, Type 1, primer except omit from threads.
- (15) Attach nutplates (535, 537) to pan (495) using rivets (540). Install nutplates with wet BMS 10-11, Type 1, primer except omit from threads.
- (16) Attach clips (445, 450) and brackets (460, 465) to pan (495) using rivets (455, 475).
- (17) Attach pan (495) to ring (665) using bolts (169, 515A, 675), washers (520), and nuts (525). Attach pan (495) to bulkhead assembly (700) using bolts (480, 485), collars (490), and rivets (470).
- (18) Locate fitting assemblies (710, 715, 745, 750) on bulkhead assembly (700) and check that gap between faying surfaces does not exceed 0.01 inch, use maximum of one BACS40R10C10F shim at each attaching point as necessary. Install shims using BMS 10-11, Type 1, primer. Secure fitting assembly (750) in place using bolts (716, 716C), washers (716A), collars (716D), and nuts (716B).
- (19) Attach bond assembly (595) to intercostals (405, 410), ring (665), bulkhead assembly (700), and pan (495) using bolts (415, 430, 435, 500, 510A, 515A, 550, 605A, 615A, 627), washers (420, 520, 620), filler (680), fairing (165), nuts (425, 525, 625), and collars (440, 505, 555, 628, 650). Install shim (530) if required, using BMS 10-11, Type 1, primer. Maximum gap prior to fastener installation 0.01 inch. Just prior to installation of bond assembly (595), pressure seal faying surface between panel and pan (495), bulkhead assembly (700), ring (665) and fitting (660) using BMS 5-63 sealant.

78-31-22

01.1 ASSEMBLY
Page 703
Nov 01/03

C. Blocker Door Assemblies (IPL Fig. 2, 3, 4)

(1) Common Blocker Door Assemblies (1 thru 1T, IPL Fig. 2)

- (a) Install pivot link assembly (145), spring (130), and bushings (135, 140) on link attach fitting (75) using bolt (115), washers (110), and nuts (105). Tighten bolt (115) to 85-100 pound-inches. Maintain 0.005-0.035 inch end play, use washers (120) and/or washers (125) as required.

NOTE: In the following steps, seal collars with BMS 5-26 sealant and install bolts with BMS 5-26 sealant under boltheads. If shimming is required, fay seal both side of shims with BMS 5-26 sealant. If gap between fitting assys and panel assy varies more than 0.020 inch from one side to other, use two BACS40R10C10F shims (one per fastener) instead of single two fastener shim. Maximum allowable shimming thickness is 0.068 inch.

- (b) Install link attach fitting (75) on panel assembly (100) using bolts (80), shim (83), and nuts (85A).

(c) Deleted

(2) Upper Blocker Door Assemblies (1 thru 5V, IPL Fig. 3)

- (a) Install pivot link assembly (255), spring (240), and bushings (245, 250) on link attach fitting (135, 138B) using bolt (215), washers (220, 225, 230), and nut (235). Tighten bolt (215) to 85-100 pound-inches. Maintain 0.005-0.035 inch end play, use washers (225) and/or washers (230) as required.

NOTE: In the following steps, install collars with BMS 5-26 sealant and install bolts with BMS 5-26 sealant under boltheads. If shimming is required, fay seal both side of shims with BMS 5-26 sealant. If gap between fitting assemblies and panel assembly varies more than 0.020 inch from one side to other, use two BACS40R10C10F shims (one per fastener) instead of single two fastener shim. Maximum allowable shimming thickness is 0.068 inch.

- (b) Install link attach fitting (135, 138B) on panel assemblies (205, 210) using bolts (140), shim (143), and nuts (145, 145A).

(c) Deleted

78-31-22

ASSEMBLY
Page 704
Nov 01/03

01.1

(3) Lower Blocker Door Assemblies (1 thru 5T, IPL Fig. 4)

- (a) Install pivot link assembly (270), spring (255), and bushings (260, 265) on link attach fitting (135) using bolt (230), washer (235), and nut (250). Tighten bolt (230) to 85-100 pound-inches. Maintain 0.005-0.035 inch end play, use washers (240) and/or washers (245) as required.

NOTE: In the following steps, seal collars with BMS 5-26 sealant and install bolts with BMS 5-26 sealant under boltheads. If shimming is required, fay seal both side of shims with BMS 5-26 sealant. If gap between fitting assemblies and panel assembly varies more than 0.020 inch from one end to other, use two BACS40R10C10F shims (one per fastener) instead of single two fasteners shim. Maximum allowable shimming thickness is 0.068 inch.

- (b) Install link attach fitting (135) on panel assemblies (205, 207, 210, 212) using bolts (140), shim (143), and nuts (145, 145A).

- (c) Deleted

D. Thrust Reverser Sleeve Assembly (IPL Fig. 1)

- (1) Attach panel assembly (303, IPL Fig. 1; 806, IPL Fig. 7) using items (232 thru 301, IPL Fig. 1; 521 thru 581, IPL Fig. 7). Install inserts (318, IPL Fig. 1; 812, Fig. 7) and pot around edges with BMS 5-28 compound. Just prior to fastener installation, coat faying surface between panel assembly (303, IPL Fig. 1; 806, IPL Fig. 7) and slider attach fitting (459, 492, IPL Fig. 1; 653, 665, IPL Fig. 7) with BMS 5-79 sealant and pressure seal faying surface (Fig. 701).
- (2) Attach bumper (6, IPL Fig. 1; 85, IPL Fig. 7) using items (9A, 9B, 10, 10A, IPL Fig. 1; 90, 95, 100, IPL Fig. 7).
- (3) Attach nutplates (220, 221, IPL Fig 1; 509, 512, IPL Fig. 7) to panel assembly (226, IPL Fig. 1; 515, IPL Fig. 7) using rivets (223, IPL Fig. 1; 506, IPL Fig. 7).
- (4) Attach nutplates (202, IPL Fig. 1; 485, IPL Fig. 7) to doubler (208, IPL Fig. 1; 490, IPL Fig. 7) using rivets (205, IPL Fig. 1; 480, IPL Fig. 7).
- (5) Attach panel assembly (211A, IPL Fig. 1; 495, IPL Fig. 7), doubler assembly (199, IPL Fig. 1; 475, IPL Fig. 7), and shim (196, IPL Fig. 1; 470, IPL Fig. 7) using items (188, 191, 193, IPL Fig. 1; 455, 460, 465, IPL Fig. 7).

78-31-22

ASSEMBLY
Page 705
Nov 01/03

01.1

- (6) Attach actuator attach assembly (178, IPL Fig. 1; 435, IPL Fig. 7) to panel assembly (75, IPL Fig. 1; 275, IPL Fig. 7) using items (149 thru 169, IPL Fig. 1; 385 thru 415, IPL Fig. 7) and (172A, 175, IPL Fig. 1; 425, 430A, IPL Fig. 7) as follows:
 - (a) Install nutplates (172A, IPL Fig. 1; 430A, IPL Fig. 7) with wet BMS 10-11, Type 1, primer except on threads.
 - (b) Shims (155, 166, IPL Fig. 1; 395, 420, IPL Fig. 7) shall not exceed 0.063 inch and shall limit maximum gap pulldown prior to fastener installation to 0.010 inch.
 - (c) Seal both sides of shims (155, 166, IPL Fig. 1; 395, 420, IPL Fig. 7) prior to installation with BMS 5-79 sealant.
 - (d) Install fasteners (149, 152, 158, IPL Fig. 1; 385, 390, 400, IPL Fig. 7) with wet BMS 5-79 sealant.
 - (e) Cover collars (158, IPL Fig. 1; 400, IPL Fig. 7) with wet BMS 5-79 sealant.
- (7) Install inserts (140, 141, 141S, 143, 146, IPL Fig. 1; 360, 365, 375, 380, IPL Fig. 7).
- (8) Install fittings (111, IPL Fig. 1; 330, IPL Fig. 7) on panel assembly (75, IPL Fig. 1; 275, IPL Fig. 7) using items (117 thru 138, IPL Fig. 1; 285 thru 315, IPL Fig. 7).
- (9) Install fittings (103, IPL Fig. 1; 350, IPL Fig. 7) on panel assembly (75, IPL Fig. 1; 275, IPL Fig. 7) using items (105, 108, IPL Fig. 1; 340, 345, IPL Fig. 7).
- (10) Install fittings (77, IPL Fig. 1; 320, IPL Fig. 7) on panel assembly (75, IPL Fig. 1; 275, IPL Fig. 7) using items (83 thru 101, IPL Fig. 1; 287 thru 317, IPL Fig. 7).
- (11) Attach outer cowl panel assembly (75, IPL Fig. 1; 275, IPL Fig. 7) to acoustic panel assembly (303, IPL Fig. 1; 806, IPL Fig. 7) using items (62, 65, 68, 69, IPL Fig. 1; 245, 250, 255, 260, IPL Fig. 7) as follows:
 - (a) Use one shim (69, IPL Fig. 1; 260, IPL Fig. 7) with 0.010 in maximum gap prior to fastener installation. Finish with BMS 10-11, Type 1, primer.
 - (b) Pressure seal faying surface of shim (69, IPL Fig. 1; 260, IPL Fig. 7), acoustic panel (303, IPL Fig. 1; 806, IPL Fig. 7) and outer cowl (75, IPL Fig. 1; 275, IPL Fig. 7) with BMS 5-79 sealant.

78-31-22

ASSEMBLY
Page 706
Nov 01/03

01.1

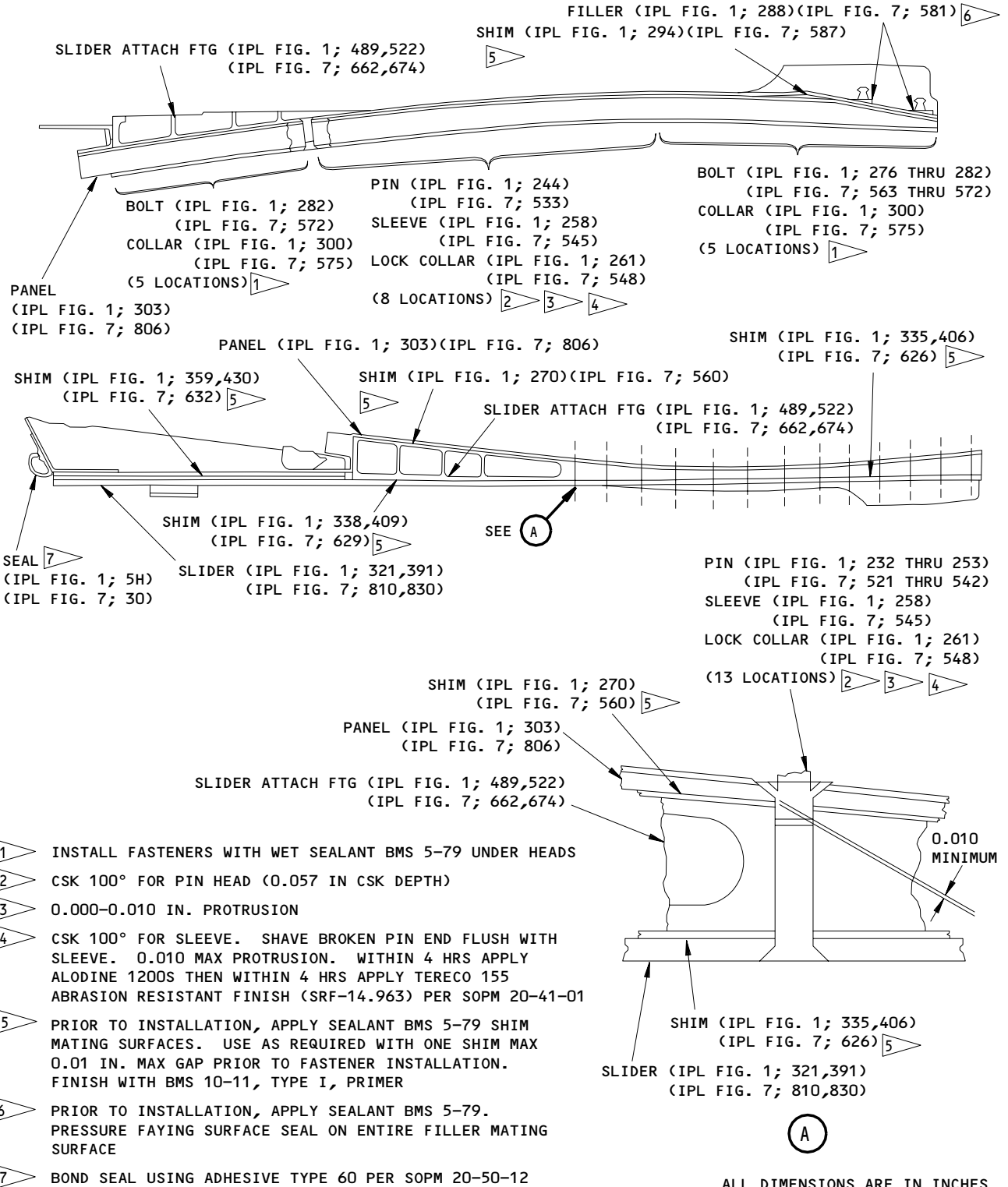
- (c) Install fasteners (62, 65, 68, IPL Fig. 1; 245, 250, 255, IPL Fig. 7) with wet BMS 5-79 sealant.
 - (d) Shave pin end, sleeve head, and lock collar and within 4 hours apply Alodine 1200S. Within 4 additional hours apply aluminized epoxy primer (SRF-14.963).
 - (e) Apply BMS 5-79 sealant for aerodynamic seal on pin head and edge of outer cowl.
- (12) Insert bolt (59, IPL Fig. 1; 235, IPL Fig. 7) into cowl assembly with grease. Tighten to 125-150 lb-in.
- (13) Attach acoustic panel assy (615, IPL Fig. 1; 866, IPL Fig. 7) to diaphragm assy (625, 630, IPL Fig. 1; 869, 872, IPL Fig. 7) with (612, 618, 621, IPL Fig. 1; 725, 728, 731, IPL Fig. 7). Tighten bolts (612, IPL Fig. 1; 725, IPL Fig. 7) to (40 lb-in min.) to align panel assy as indicated in Fig. 702. Apply BMS 5-63 sealant under bolt heads for aerodynamic seal in areas indicated.
- (14) Install retainers (5N, 5P, 5Q, 5R, IPL Fig. 1; 45, 50, 55, 60, IPL Fig. 7), seal (5H, IPL Fig. 1; 30, IPL Fig. 7) and shims (5S, 5T, 5U, 5V, IPL Fig. 1; 65, 70, 75, 80, IPL Fig. 7) using bolts (5J, IPL Fig. 1; 35, IPL Fig. 7), and washers (5M, Fig. 1; 40, IPL Fig. 7) and bond in place per Fig. 701.
- CAUTION:** FAILURE TO REPLACE BOLT (561, IPL Fig. 1; 701, IPL Fig. 7) AND NUT (567, IPL Fig. 1; 707, IPL Fig. 7) MAY RESULT IN A LOOSE BLOCKER DOOR INSTALLATION.
- (15) Attach blocker door assemblies (570A thru 583V, IPL Fig. 1; 851 thru 863A, IPL Fig. 7) at hinge points using bolt (561, IPL Fig. 1; 701, IPL Fig. 7), washers (564, IPL Fig. 1; 704, IPL Fig. 7), and nut (567A, IPL Fig. 1; 707, IPL Fig. 7). Use additional washers (564, IPL Fig. 1; 704, IPL Fig. 7) under nut (567A, IPL Fig. 1; 707, IPL Fig. 7) as required to ensure that the nut (567A, IPL Fig. 1; 707, IPL Fig. 7) does not bottom out on bolt (561, IPL Fig. 1; 701, IPL Fig. 7). Tighten nut (567A, IPL Fig. 1; 707, IPL Fig. 7) to 80-100 lb-in.
- (16) Attach bumper assy (597, IPL Fig. 1; 722, IPL Fig. 7) with bolt (585, IPL Fig. 1; 710, IPL Fig. 7). Tighten bolt to align blocker doors as shown in Fig. 703. Install washers (588, IPL Fig. 1; 713, IPL Fig. 7) as required under bumper to obtain tolerances. If necessary, replace nutplate (591, IPL Fig. 1; 719, IPL Fig. 7) using rivets (594, IPL Fig. 1; 716, IPL Fig. 7). Install nutplate with BMS 10-11, Type 1, primer except on threads.

- (17) Adjust thickness of shims (20, 55, IPL Fig. 2), (27, 28, 30, 35, 79A, 85, IPL Fig. 3), (25, 36, 38, 102, 103, 103B, IPL Fig. 4) as required to adjust flushness requirement of blocker doors (Fig. 703). Maximum allowable shim 0.060 inch.
- (18) 315T3500-1, -2, 315T4026-17, -18 Thrust Reverser Sleeve Assemblies
- (a) Attach drag link assembly (549A) to blocker door assemblies (570A, 571, 576, 579A, 582B) using bolts (537), washers (538 and 540), bushings (546), and nuts (543). Tighten nuts (543) to 220-360 pound-inches.
 - (b) Install spring (534) using items (524, 525, 528, 531).
- (19) 315T3500-21, -22, -23, -24, -27, -28, 315T3001-39, -40, 315T4026-19 thru -24 Thrust Reverser Sleeve Assemblies
- (a) Attach drag link assembly (549A, IPL Fig. 1; 689, IPL Fig. 7) to blocker door assemblies (576B thru 576F, 570E thru 570K, 582D thru 582S, IPL Fig. 1; 851 thru 863A, IPL Fig. 7) using bolts (537A, IPL Fig. 1; 677, IPL Fig. 7), washers (538A, 540A, 540B, IPL Fig. 1; 678, 683, IPL Fig. 7), bushings (546B, IPL Fig. 1; 686, IPL Fig. 7), and nuts (543, IPL Fig. 1; 680, IPL Fig. 7). Tighten nuts (543, IPL Fig. 1; 680, IPL Fig. 7) to 300-400 pound-inches.

78-31-22

ASSEMBLY
Page 708
Nov 01/03

01.1



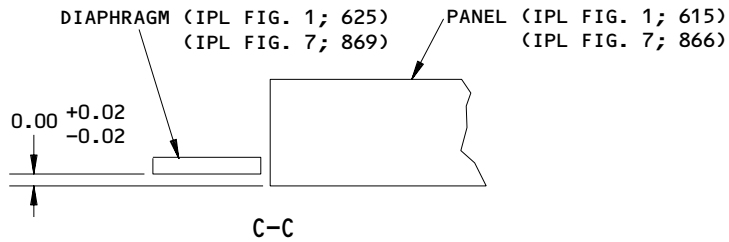
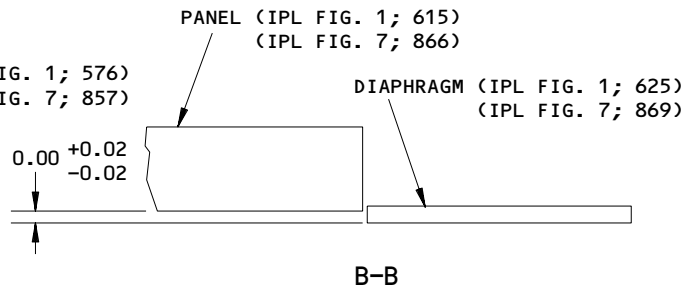
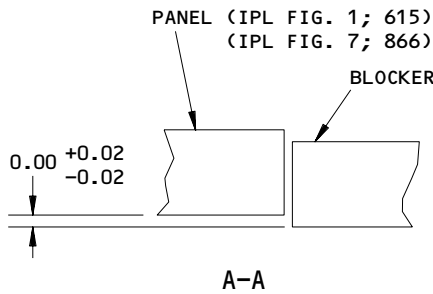
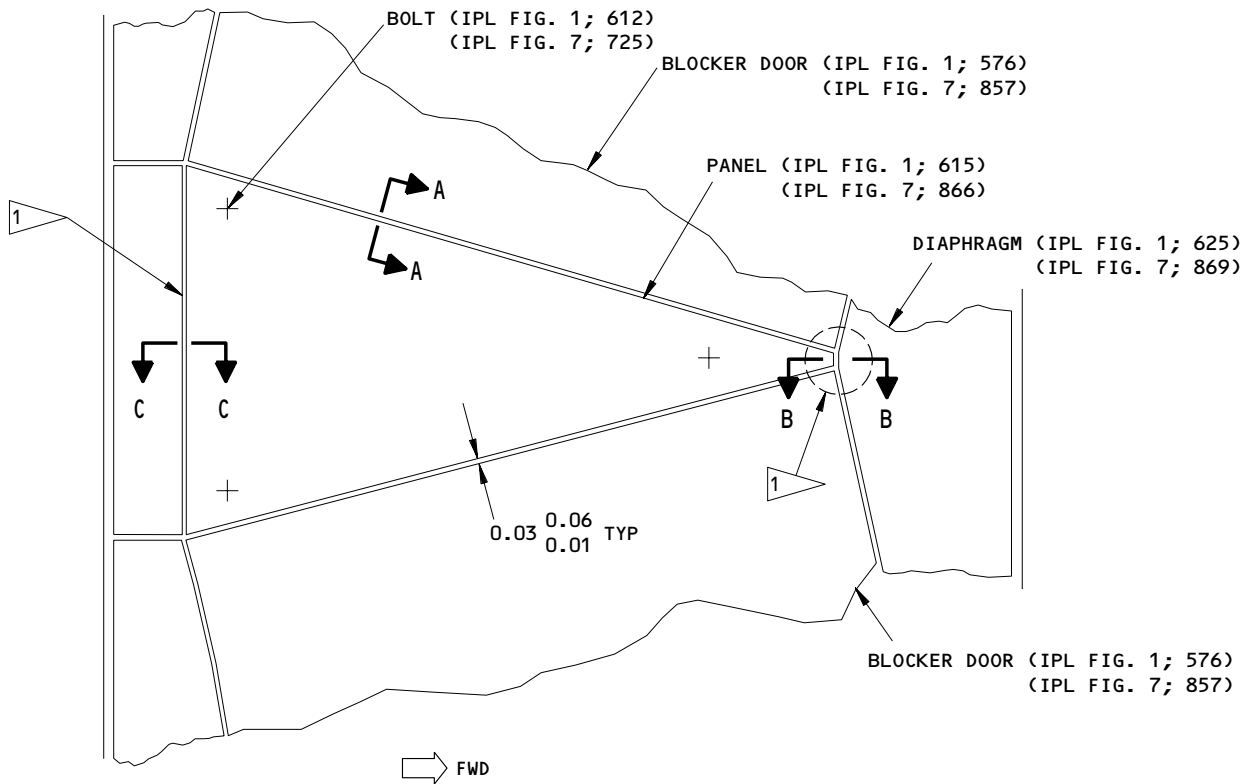
- 1 INSTALL FASTENERS WITH WET SEALANT BMS 5-79 UNDER HEADS
- 2 CSK 100° FOR PIN HEAD (0.057 IN CSK DEPTH)
- 3 0.000-0.010 IN. PROTRUSION
- 4 CSK 100° FOR SLEEVE. SHAVE BROKEN PIN END FLUSH WITH SLEEVE. 0.010 MAX PROTRUSION. WITHIN 4 HRS APPLY ALODINE 1200S THEN WITHIN 4 HRS APPLY TEREKO 155 ABRASION RESISTANT FINISH (SRF-14.963) PER SOPM 20-41-01
- 5 PRIOR TO INSTALLATION, APPLY SEALANT BMS 5-79 SHIM MATING SURFACES. USE AS REQUIRED WITH ONE SHIM MAX 0.01 IN. MAX GAP PRIOR TO FASTENER INSTALLATION. FINISH WITH BMS 10-11, TYPE I, PRIMER
- 6 PRIOR TO INSTALLATION, APPLY SEALANT BMS 5-79. PRESSURE FAYING SURFACE SEAL ON ENTIRE FILLER MATING SURFACE
- 7 BOND SEAL USING ADHESIVE TYPE 60 PER SOPM 20-50-12

ALL DIMENSIONS ARE IN INCHES

Panel and Slider Assembly Installation
 Figure 701

78-31-22

ASSEMBLY
 Page 709
 Nov 01/03



1 AERODYNAMIC SEALANT AREA BMS 5-79

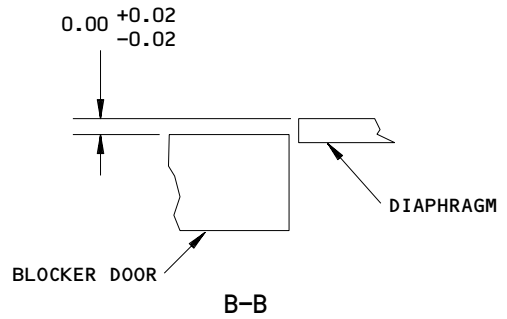
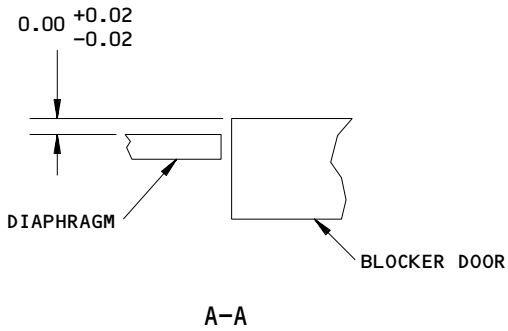
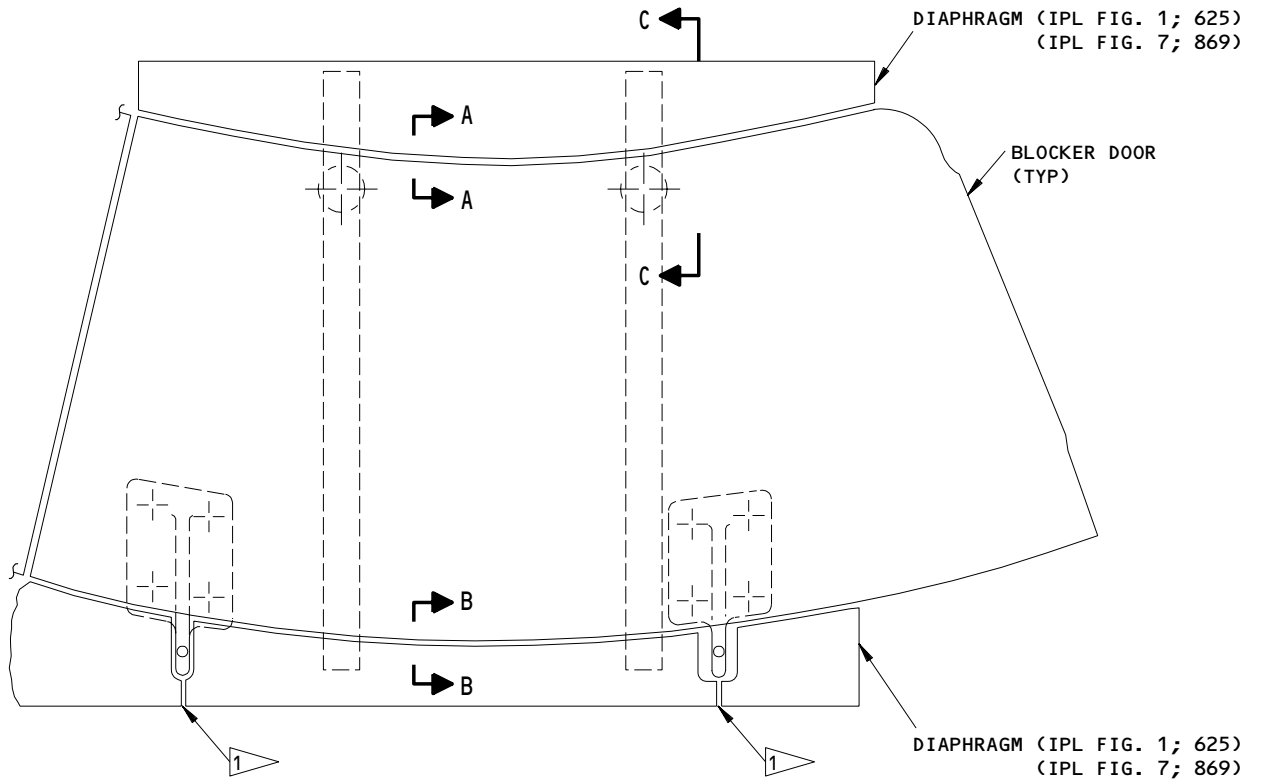
ALL DIMENSIONS ARE IN INCHES

315T3521-1,-10,-14
 Acoustic Panel Installation
 Figure 702

78-31-22

ASSEMBLY
 Page 710
 Nov 01/03

01.1



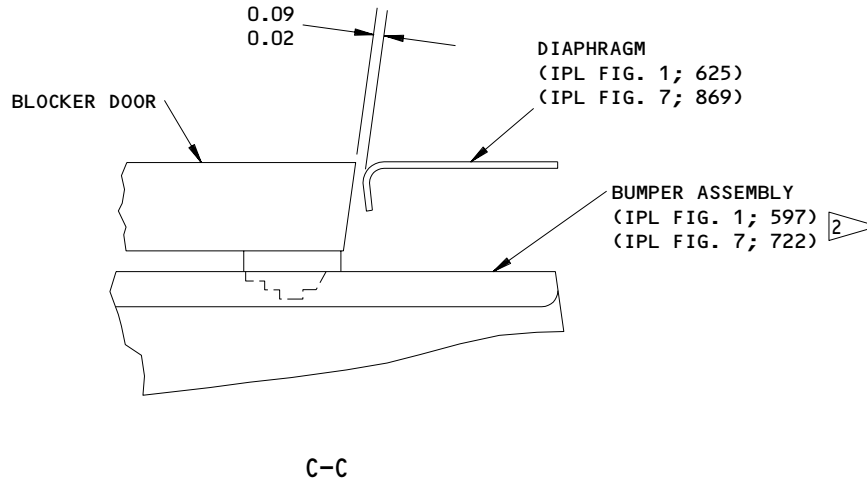
ALL DIMENSIONS ARE IN INCHES

Blocker Door Installation
 Figure 703 (Sheet 1)

78-31-22

ASSEMBLY
 Page 711
 Nov 01/03

01.1



- 1 FILL GAP WITH SEALANT BMS 5-79
- 2 INSTALL WASHERS (588) AS REQUIRED

ALL DIMENSIONS ARE IN INCHES

Blocker Door Installation
Figure 703 (Sheet 2)

24863

78-31-22

ASSEMBLY
Page 712
Mar 01/05

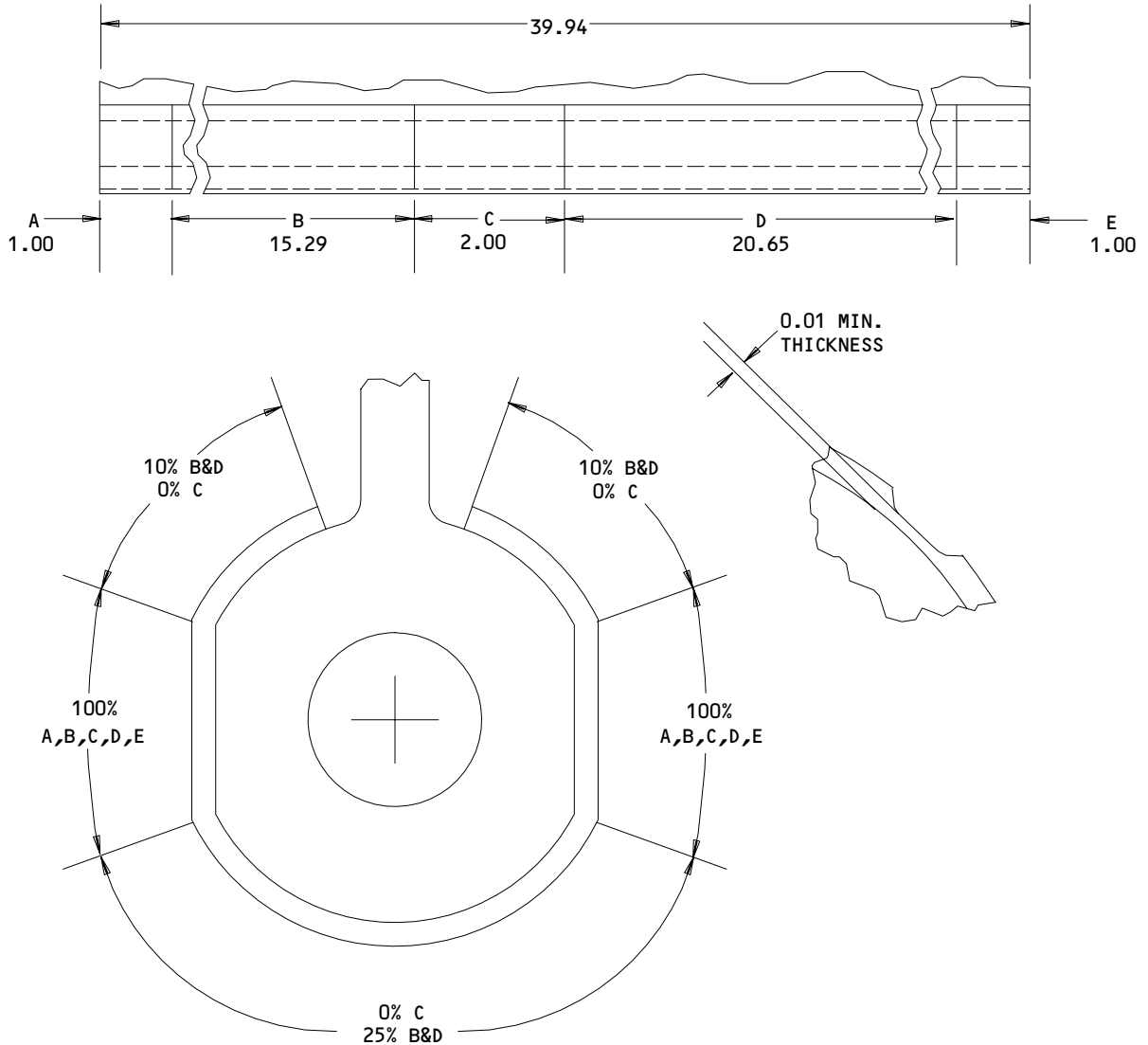
01.1

FITS AND CLEARANCES

NOTE: Refer to Fig. 802 for Torque Table.

1. Allowable Damage (IPL Fig. 1)

A. Gouges and scratches in Rulon J tape may not exceed limits expressed in Fig. 801.



ALL DIMENSIONS ARE IN INCHES

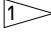
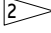
Allowable Damage
 Figure 801


109557

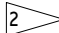
78-31-22

FITS AND CLEARANCES
 01.1 Page 801
 Nov 01/03

FOR TORQUE VALUES OF STANDARD FASTENERS, REFER TO 20-50-01

ITEM NO. IPL FIG. 1	NAME	TORQUE	
		POUND-INCHES	POUND-FEET
<u>FIG. 1</u>			
59,60	BOLT	125-150	
543 	NUT	220-360	
543 	NUT	300-400	
567B	NUT	80-100	
612	BOLT	40 MIN	
<u>FIG. 2</u>			
115	BOLT	85-100	
<u>FIG. 3</u>			
215	BOLT	85-100	
<u>FIG. 4</u>			
230	BOLT	85-100	
<u>FIG. 7</u>			
235,240	BOLT	125-150	
680	NUT	300-400	
707	NUT	80-100	
725	BOLT	40 MIN	

 WHEN USED ON 315T3500-1 AND -2, 315T4026-17,-18 THRUST REVERSER SLEEVE ASSEMBLIES

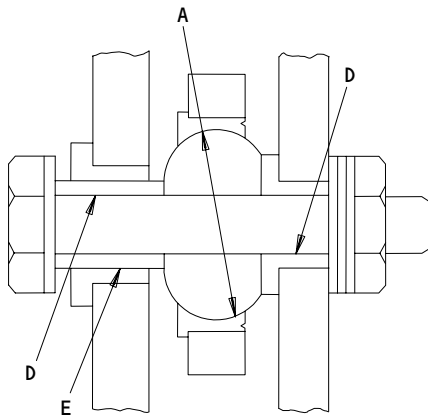
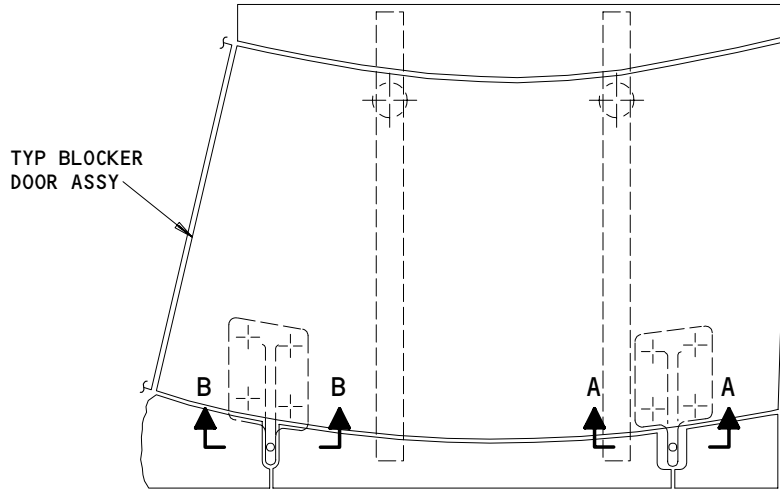
 WHEN USED ON 315T3500-21,-22,-23,-24,-27-28, 315T3001-37,-38,-39,-40, 315T4026-19 THRU -24 THRUST REVERSER SLEEVE ASSEMBLIES

Torque Table
 Figure 802

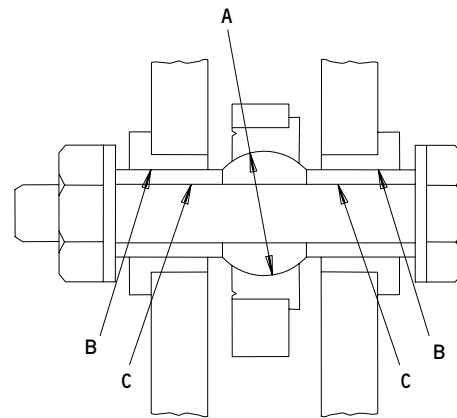
78-31-22

315T3500
315T3001
315T4026 DASH NUMBERS
LIMITED

BOEING
COMPONENT
MAINTENANCE MANUAL



CLAMPED HINGE
A-A



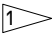
UNCLAMPED HINGE
B-B


Fits and Clearances
Figure 803 (Sheet 1)

78-31-22

FITS AND CLEARANCES
01.1 Page 803
Nov 01/03

159048

Ref Letter Fig.801	Mating Item No.	IPL Fig. No.	Design Dimension				Service Wear Limit		
			Dimension		Assembly Clearance		Dimension Limits		Maximum Allowable Clearance
			Min	Max	Min	Max	Min	Max	
A	ID 10	81	0.5010	0.5015	0.0010	0.0020			
	OD 5	81	0.4995	0.5000					
B	ID 760A	5	0.3750	0.3756	0.0005	0.0016	0.3725	0.3770	0.0045
	OD 755	5	0.3740	0.3745					
C	ID 755	5	0.2500	0.2505	0.0004	0.0015	0.2475	0.2520	0.0045
	OD 561A,701	1,7	0.2490	0.2496					
D	ID 720,730	5	0.2500	0.2505	0.0004	0.0015	0.2475	0.2520	0.0045
	OD 561	1	0.2490	0.2496					
E	ID 725B	5	0.3750	0.3756	0.0005	0.0016	0.3725	0.3770	0.0045
	OD 720	5	0.3740	0.3745					

 MAX RADIAL CLEARANCE 0.006, MAX AXIAL CLEARANCE 0.008.

ALL DIMENSIONS ARE IN INCHES

Fits and Clearances
 Figure 803 (Sheet 2)

78-31-22

FITS AND CLEARANCES
 01.1 Page 804
 Nov 01/03

SPECIAL TOOLS, FIXTURES, AND EQUIPMENT

1. Clam Shell Equipment -- A78014-1
2. Thrust reverser sling -- A71002-1 (used with overhead crane)
3. Thrust reverser sleeve sling -- A78008-1 (used with general boom hoist)
4. Blocker door hinge replacement jig -- A78015

78-31-22

SPECIAL TOOLS

01.1

Page 901

Nov 01/03

ILLUSTRATED PARTS LIST

1. This section lists and illustrates replaceable or repairable component parts. The Illustrated Parts Catalog contains a complete explanation of the Boeing part numbering system.
2. Indentures show parts relationships as follows:
 - Assembly
 - Detail Parts for Assembly
 - Subassembly
 - Attaching Parts for Subassembly
 - Detail Parts for Subassembly
 - Detail Installation Parts (included only if installation parts may be returned to shop as part of assembly)
3. One use code letter (A, B, C, etc.,) is assigned in the EFF CODE column for each variation of top assembly. All listed parts are used on all top assemblies except when limitations are shown by use code letter opposite individual part entries.
4. Letter suffixes (alpha-variants) are added to item numbers for optional parts, Service Bulletin modification parts, configuration differences (except left- and right-hand parts), product improvement parts, and parts added between two sequential item numbers. The alpha-variant is not shown on illustrations when appearance and location of all variants of the part is the same.
5. Service Bulletin modifications are shown by the notations PRE SB XXXX and POST SB XXXX.
 - A. When a new top assembly part number is assigned by Service Bulletin, the notations appear at the top assembly level only. The configuration differences at detail part level are then shown by use code letter.
 - B. When the top assembly part number is not changed by the Service Bulletin, the notations appear at the detail part level.
6. Parts Interchangeability

Optional (OPT)	The parts are optional to and interchangeable with other parts having the same item number.
Supersedes, Superseded By (SUPSDS, SUPSD BY)	The part supersedes and is not interchangeable with the original part.
Replaces, Replaced By (REPLS, REPLD BY)	The part replaces and is interchangeable with, or is an alternate to, the original part.

VENDORS

K8856 GKN WESTLAND AEROSPACE AVONMOUTH LTD
AVONMOUTH ROAD
AVONMOUTH, BRISTOL BS11 9DU, UNITED KINGDOM
FORMERLY BP ADVANCED MATERIALS; FORMERLY BRISTOL COMP MATLS

OPTK6 SPS TECHNOLOGIES INC AEROSPACE PRODUCTS DIV
5195 W 4700 SPO BOX 18459
KEARNS, UTAH 84118

02758 NETWORKS ELECTRONIC CORP U S BEARING DIV
9750 DE SOTO AVENUE
CHATSWORTH, CALIFORNIA 91311-4409
FORMERLY U S BEARING DIV NETWORKS ELEC CORP

06710 LAMSON AND SESSIONS CO THE VALLEY-TODECO
12975 BRADLEY AVENUE
SYLMAR, CALIFORNIA 91342-3830
FORMERLY VALLEY BOLT CORP VB0097 IN NORTH HOLLYWOOD, CA

06725 AIR INDUSTRIES CORPORATION
12570 KNOTT STREET
GARDEN GROVE, CALIFORNIA 92641-3932
FORMERLY AIR INDUSTRIES OF CALIF IN GARDENA, CALIF.

06950 SCREWCORP VSI AEROSPACE PRODUCTS DIV FAIRCHILD IND DIV
13001 EAST TEMPLE AVENUE PO BOX 730
CITY OF INDUSTRY, CALIFORNIA 91746-1417
FORMERLY VB0096 AND VSI CORP SCREWCORP DIV
FORMERLY IN CULVER CITY, CALIFORNIA

08524 DEUTSCH FASTENER CORP SEE CODE V97928

11815 CHERRY AEROSPACE FASTENERS DIV OF TEXTRON
1224 EAST WARNER AVENUE PO BOX 2157
SANTA ANA, CALIFORNIA 92707-0157
FORMERLY IN LOS ANGELES, CALIF , FORMERLY CHERRY FASTENERS
TOWNSEND DIV OF TEXTRON INC V71087

15653 FAIRCHILD FASTENERS KAYNAR PRODUCTS DIV
800 S STATE COLLEGE BLVD
FULLERTON, CALIFORNIA 92831-3001
FORMERLY VK6405 MICRODOT AEROSP LTD; FORMERLY KAYNAR TECH
KAYNAR DIV

17446 HUCK INTL INC AEROSPACE FASTENER DIV
900 WATSON CENTER ROAD
CARSON, CALIFORNIA 90745-4201
FORMERLY V32134 REXNORD INC; FORMERLY V97928 HUCK INTL

78-31-22

ILLUSTRATED PARTS LIST
01.1 Page 1002
Nov 01/03

VENDORS

27238 BRISTOL INDUSTRIES
630 EAST LAMBERT ROAD PO BOX 630
BREA, CALIFORNIA 92621-4119

5M902 FAIRCHILD IND INC FAIRCHILD AEROSPACE FASTENER DIV
3016 W LOMITA BLVD
TORRANCE, CALIFORNIA 90505-5103
FMLY IN REDONDO BEACH, CALIF

50632 KAMATICS CORP SUB OF KAMAN CORP
1335 BLUE HILLS ROAD
BLOOMFIELD, CONNECTICUT 06002-1304

52828 REPUBLIC FASTENER MFG CORP
1300 RANCHO CONEJO BLVD
NEWBURY PARK, CALIFORNIA 91320-1405
FORMERLY IN SYLMAR, CALIFORNIA

53551 ALLFAST FASTENING SYSTEMS INC
15200 EAST DON JULIAN ROAD PO BOX 3166
CITY OF INDUSTRY, CALIFORNIA 91745-1001
FORMERLY V0736B
FORMERLY ALLFAST INC V5K545

56878 SPS TECHNOLOGIES INC AEROSPACE AND INDUSTRIAL PRODUCTS DIV
301 HIGHLAND AVE
JENKINTOWN, PENNSYLVANIA 19046
FORMERLY STANDARD PRESSED STEEL

57606 REXNORD CORP PSI BEARINGS DIV
2175 UNION PL
SIMI VALLEY, CALIFORNIA 93065-1661
FORMERLY PSI BEARINGS

60516 WEST COAST AEROSPACE INC
812 MIRAFLORES STREET
SAN PEDRO, CALIFORNIA 90731-1439

62554 SIMMONDS MECAERO FASTENERS INC
1734 SEQUOIA AVENUE
ORANGE, CALIFORNIA 92668

72962 HARVARD INDUSTRIES INC
3 WERNER WAY SUITE 210
LEBANON, NEW JERSEY 08833
FORMERLY AMERACE CORP ESNA DIV
FORMERLY ELASTIC STOP NUT IN UNION, NJ

78-31-22

ILLUSTRATED PARTS LIST
01.1 Page 1003
Nov 01/03

VENDORS

73197 HI-SHEAR TECHNOLOGY CORP
2600 SKYPARK DRIVE
TORRANCE, CALIFORNIA 90509

80539 SPS TECHNOLOGIES INC AEROSPACE PRODUCTS DIV
2701 SOUTH HARBOR BOULEVARD PO BOX 1259
SANTA ANA, CALIFORNIA 92702-1259
FORMERLY NUTT-SHEL DIV OF SPC WESTERN CO V80539
AND STANDARD PRESSED STEEL WESTERN DIV V17279

86831 KAISER ELECTRO PRECISION AEROSPACE AND ELECTRONIC CO
17000 SOUTH RED HILL AVENUE
IRVINE, CALIFORNIA 92714-5626
FORMERLY RUCKER PRECISION A DIV OF THE RUCKER CO SANTA ANA
FORMERLY ROYLYN DIV OF THE RUCKER CO GLENDALE, CALIFORNIA

9N513 VOI SHAN/CHATSWORTH DIV OF VSI CORP SUB OF FAIRCHILD IND
CHATSWORTH, CALIFORNIA 91311-5013
COMPANY NO LONGER WISHES TO BE CONSIDERED FOR FED CONTRCTG

92215 FAIRCHILD IND INC FAIRCHILD AEROSPACE FASTENER DIV
3010 W LOMITA BLVD
TORRANCE, CALIFORNIA 90505-5102
FORMERLY VOI-SHAN IN CULVER CITY, CALIF

97613 SARGENT CONTROLS & AEROSPACE/KAHR BEARING DIV
5675 W BURLINGAME RD
TUCSON, ARIZONA 85743
FORMERLY AETNA STEEL PROD KAHR BEARING DIV V96579
FORMERLY SARGENT IND KAHR BEARING DIV, BURBANK, CALIFORNIA

97928 SEE V17446 HUCK INTL
SEE V17446 HUCK INTL
HUCK INTL SEE V17446 HUCK INTL

98996 OLYMPIA FASTENING INV SEE V53551

78-31-22

ILLUSTRATED PARTS LIST
01.1 Page 1004
Nov 01/03

PART NUMBER	AIRLINE PART NO.	FIG.	ITEM	TTL REQ
AF5141-3-5		1	223	26
		7	506	26
AIC1195-7-2		1	59C	3
		7	235A	3
AIC1195-8-2		1	60A	1
		7	240	1
AMB6-180		1	552A	6
		80	1	RF
AN960-10L		1	9B	6
		1	34	4
		1	51	4
		1	58N	6
		5	8	9
		5	30	9
		5	171	32
		5	195	32
		5	213	10
		5	240	10
		5	275	2
		5	310	12
		5	420	12
		5	520	10
		5	620	86
		5	716A	12
		5	752A	12
		6	35	6
		6	37	6
		6	90	12
7	95	6		
7	150	4		
7	200	6		
AN960-616		1	540A	6
		7	680	6
AN960-616L		1	540	6
		2	120A	1
AN960C416L		3	225A	1
		4	240A	1
AN960C616		1	540B	6
		2	125	1
		3	230	1
		4	245	1
AN960C616L		2	120	1
		3	225	1

78-31-22

ILLUSTRATED PARTS LIST
 01.1 Page 1005
 Nov 01/03

PART NUMBER	AIRLINE PART NO.	FIG.	ITEM	TTL REQ
AN960C616L		4	240	1
AN960D716		1	531	6
AN960KD10L		1	5M	37
		7	40	37
AN960PD416		1	267	14
		7	554	14
ASPFFDT8-13		1	232	6
		7	521	6
ASPFFDT8-14		1	235	4
		7	524	4
ASPFFDT8-15		1	238	2
		7	527	2
ASPFFDT8-16		1	149C	15
		1	241	4
		7	385C	15
		7	530	4
ASPFFDT8-17		1	244	20
		7	533	20
ASPFFDT8-18		1	149A	15
		1	247	2
		7	385A	15
		7	536	2
ASPFFDT8-19		1	250	4
		7	539	4
ASPFFDT8-20		1	253	2
		7	542	2
ASPFFEU8-16AC		1	149B	15
		7	385B	15
ASPFFEU8-18AC		1	149	15
		7	385	15
ASPFFEU8-20AC		1	62	79
		7	245	79
ASPFSDT8		1	65	79
		1	152	15
		1	258	44
		7	250	79
		7	390	15
		7	545	44
ASPLC2AC6		1	20	6
		7	115	6
ASPLC2AC8		1	68	79
		1	158	15
		1	261	44
		7	255	79
		7	400	15

78-31-22

 ILLUSTRATED PARTS LIST
 01.1 Page 1006
 Nov 01/03

PART NUMBER	AIRLINE PART NO.	FIG.	ITEM	TTL REQ
ASPLC2AC8		7	548	44
BACB28AK03-016		2	170	1
		3	280	1
		4	295	1
BACB28AK04-038		5	720	6
		5	755	12
		6	55	12
		6	110	6
BACB28AK04-189		2	135	1
		3	245	1
		4	260	1
BACB28AM06B016A		2	150	2
		3	275	2
		4	290	2
		5	725B	6
		5	760A	12
		6	60	12
		6	115	6
BACB28AM06B017		2	95P	1
		3	155F	1
		4	160	1
BACB28AM07B022A		1	183A	3
		7	445A	3
BACB28AM08B022A		1	183	3
		7	445	3
BACB28AP04P015		6	120A	6
BACB28AP04P016		5	730	6
		6	120	6
BACB28AP04P017		2	95Q	1
		3	155G	1
		4	161	1
BACB28AP05P022		1	181	3
		7	440	3
BACB28AP06-012		2	150B	2
		3	275B	2
		4	290B	2
BACB28AP06P016		2	95R	1
		2	150A	2
		3	155J	1
		3	275A	2
		4	160J	1
		4	290A	2
		6	60A	12
		6	115A	6

78-31-22

ILLUSTRATED PARTS LIST
 01.1 Page 1007
 Nov 01/03

PART NUMBER	AIRLINE PART NO.	FIG.	ITEM	TTL REQ
BACB30FN5-4		5	645	16
BACB30LE6-44		1	537A	6
		7	677	6
BACB30LE6-46		1	537	6
BACB30LJ4SU19		1	561	12
BACB30LJ4U35		2	115	1
		3	215	1
		4	230	1
BACB30LL7-2		1	59	3
BACB30LL8-2		1	60	1
BACB30LP4P4		1	382	2
		1	451	2
		7	839	2
BACB30LR4-4		1	193	12
		7	465	12
BACB30LR4-6		1	163	3
		7	410	3
BACB30MS3K19		1	612	15
		7	725	15
BACB30MS3K8		1	31	2
		1	48	2
		1	58M	4
		7	145	2
		7	195	4
BACB30MY5K3		5	270A	2
		5	330	24
BACB30MY5K4		5	287	2
BACB30MY6K2		5	393	6
		5	395	12
		5	399	18
BACB30MY6K3		5	375	27
		5	394	6
BACB30MY6K4		5	380	9
		5	430	36
		5	500	30

78-31-22

 ILLUSTRATED PARTS LIST
 01.1 Page 1008
 Nov 01/03

315T3500
 315T3001
 315T4026 DASH NUMBERS
 LIMITED

 **BOEING**
 COMPONENT
 MAINTENANCE MANUAL

PART NUMBER	AIRLINE PART NO.	FIG.	ITEM	TTL REQ
BACB30MY6K5		1	462	1
		1	495	1
		5	370	12
		5	480	10
		5	550	94
		5	810	1
		7	635	2
BACB30MY6K6		1	468B	2
		1	501B	2
		2	155A	1
BACB30MY6K6		3	260A	1
		4	275A	1
		5	435	12
		7	641A	4
BACB30MY6K9		1	468	2
		1	501	2
		7	641	4
BACB30NE3-7		1	5J	37
		7	35	37
BACB30NM3C4		1	9A	6
		7	90	6
BACB30NM3K3		5	270	2
BACB30NM3K4		5	305	12
BACB30NM3K6		1	28	2
		1	45	2
		1	58L	2
		7	140	2
		7	190	2
BACB30NM3K7		5	716	12
		5	752	12
		6	30	12
		6	85	12
BACB30NM3K8		6	30A	12

78-31-22

ILLUSTRATED PARTS LIST
 01.1 Page 1009
 Nov 01/03

PART NUMBER	AIRLINE PART NO.	FIG.	ITEM	TTL REQ
BACB30NN3K16		5	7P	9
		5	23	9
		5	169	32
		5	185	32
		5	212N	10
		5	235A	10
BACB30NN3K17		5	779	4
		5	788A	43
BACB30NN3K3		5	675	10
		5	797	10
BACB30NN3K4		5	510A	30
		5	605A	6
BACB30NN3K5		5	615A	80
BACB30NN3K6		5	515A	10
BACB30NN4K4		1	193A	12
		7	465A	12
BACB30NN4K6		1	163A	3
		7	410A	3
BACB30NU3K4		1	585	12
BACB30NU3K6		5	415	12
BACB30NU4K5		1	264	14
BACB30NU4K5		7	551	14
BACB30NW10K15		1	356A	3
		1	427A	3
BACB30NW5K4		7	620	6
		5	90	4
		5	120	16
		5	140	4
BACB30NW6K11		1	344	6
		1	415	6
		7	611	12
BACB30NW6K13		1	347	1
		1	418	1
		7	614	2
BACB30NW6K5		5	365	12
		5	485	10
		5	810G	2

78-31-22

 ILLUSTRATED PARTS LIST
 01.1 Page 1010
 Nov 01/03

315T3500
 315T3001
 315T4026 DASH NUMBERS
 LIMITED

 **BOEING**
 COMPONENT
 MAINTENANCE MANUAL

PART NUMBER	AIRLINE PART NO.	FIG.	ITEM	TTL REQ		
BACB30NW8K11		1	332	2		
		1	403	2		
		7	602	4		
BACB30NW8K13		1	350	2		
		1	421	2		
		7	605	4		
BACB30NW8K7		1	326	3		
		1	397	3		
		7	596	6		
BACB30NW8K8		1	329	2		
		1	400	2		
		7	599	4		
BACB30NY6K6		5	716C	6		
		5	752C	6		
		6	45	6		
		6	100	6		
BACB30NZ5K14		1	105	12		
		7	340	12		
		BACB30NZ6K18		2	15	2
2	50			2		
2	80			4		
3	25			2		
3	75			2		
3	140			4		
4	23			2		
4	100			2		
4	140			4		
BACB30NZ6K4				1	188	27
				7	455	27
BACB30NZ6K5				2	10	2
		2	45	2		
		3	20	2		
		3	70	2		
		4	20	2		
		4	95	2		
BACB30NZ6K6		5	627	2		
BACB30NZ8K11		1	276	2		
		7	563	2		
BACB30NZ8K15		1	279	2		
		7	566	2		
BACB30NZ8K16		1	93	2		
		1	94A	2		
		1	129	6		
		1	280A	2		
		7	290	8		
		7	292A	2		
		7	569	2		

78-31-22

ILLUSTRATED PARTS LIST
 01.1 Page 1011
 Nov 01/03

PART NUMBER	AIRLINE PART NO.	FIG.	ITEM	TTL REQ
BACB30NZ8K17		1	94	2
		1	282	12
		7	292	2
BACB30NZ8K18		7	572	12
		1	83	2
		1	84A	2
BACB30NZ8K19		1	117	4
		7	285	6
		7	287A	2
BACB30NZ8K7		1	84	2
		7	287	2
BACB30VF3K4		1	161	9
		7	405	9
BACB30VF7K2		1	585A	12
		7	710	12
BACB30VF8K2		1	59B	3
		7	235	3
BACC30AB6C		1	60B	1
		7	240A	1
BACC30M10		2	165A	1
		3	270A	1
		4	285A	1
BACC30M5		1	368	3
		1	439	3
		7	623	6
BACC30M5		1	108	12
		5	95	4
		5	125	16
BACC30M5		5	145	4
		5	280A	2
		5	289	2
		5	335	24
		5	650	16
		7	345	12

78-31-22

 ILLUSTRATED PARTS LIST
 01.1 Page 1012
 Nov 01/03

PART NUMBER	AIRLINE PART NO.	FIG.	ITEM	TTL REQ	
BACC30M6		1	191	27	
		1	362	7	
		1	433	7	
		1	465	1	
		1	477	2	
		1	498	1	
		1	510	2	
		2	25	4	
		2	60	4	
		2	85	4	
		3	40	4	
		3	100	4	
		3	145	4	
		4	55	4	
		4	115	4	
		4	145	4	
		5	385	60	
		5	396	12	
		5	400	18	
		5	440	48	
		5	490	20	
		5	505	30	
		5	555	94	
		5	628	2	
		5	811	3	
		7	460	27	
		7	617	14	
		7	638	2	
		7	644	4	
	BACC30M8		1	91	4
			1	101	4
			1	126	4
			1	138	6
		1	169	9	
		1	300	14	
		1	341	7	
BACC30M8		1	365	2	
		1	412	7	
		1	436	2	
		7	295	18	
		7	415	9	
		7	575	14	
		7	608	18	

78-31-22

ILLUSTRATED PARTS LIST
 01.1 Page 1013
 Nov 01/03

PART NUMBER	AIRLINE PART NO.	FIG.	ITEM	TTL REQ
BACC30X6S		5	716D	6
		5	752D	6
		6	50	6
		6	105	6
BACN10GW3A		1	40A	4
		1	56A	4
		1	58R	6
		7	155A	4
BACN10GW3AS		7	205A	6
		1	40	4
		1	56	4
		1	58Q	6
		5	716B	12
		5	752B	12
		6	40	12
BACN10HR6CS		6	95	12
		7	155	4
		7	205	6
		1	543	6
		7	683	6
		5	653	2
BACN10JAC3D		1	513	3
BACN10JB3		7	671	3
BACN10JC08CM		1	301	4
		7	578	4
BACN10JC3CM		1	10A	6
		5	8J	9
		5	35	9
		5	200	32
		5	213N	10
		5	245	10
		5	280	2
		5	315	12
		5	425	12
		5	525	10
	5	625	86	
	7	100	6	

78-31-22

315T3500
 315T3001
 315T4026 DASH NUMBERS
 LIMITED

 **BOEING**
 COMPONENT
 MAINTENANCE MANUAL

PART NUMBER	AIRLINE PART NO.	FIG.	ITEM	TTL REQ
BACN10JC3M		5	172	32
BACN10JC4CM		1	273	14
		7	557	14
BACN10JR3CFM		1	591	12
		5	535	45
		5	776	37
		5	809	45
		5	827	2
		5	836	10
		5	845	4
		5	854	5
		5	872	2
		5	881	2
		5	890	5
		5	899	4
		5	935	2
		7	719	12
BACN10JR3F		1	480	3
		7	659	3
BACN10JR4CFM		1	202	12
		1	220	11
		7	485	12
		7	509	11
BACN10KB3CFM		5	537	35
		5	685	10
		5	785	4
		5	794	43
		5	803	10
BACN10KB4CFM		1	172A	3
		1	221	2
		7	430A	3
		7	512	2
BACN10XJ3		2	85A	4
		3	145A	4
		4	145A	4

78-31-22

ILLUSTRATED PARTS LIST
 01.1 Page 1015
 Nov 01/03

PART NUMBER	AIRLINE PART NO.	FIG.	ITEM	TTL REQ		
BACR15BA3AD		1	483	6		
		1	516	6		
		1	594	24		
		5	540	175		
		5	652	4		
		5	690	20		
		5	773	74		
		5	782	8		
		5	791	86		
		5	800	20		
		5	806	105		
		5	824	4		
		5	833	22		
		BACR15BA3AD		5	842	8
				5	851	10
5	869			4		
5	878			4		
5	887			10		
5	896			8		
5	930			4		
7	656			6		
7	668			6		
7	716			24		
BACR15BA3AD4		1	205	24		
		7	480	24		
BACR15BA3AD6		1	175	6		
		7	425	6		
BACR15BA4D		5	629	2		
BACR15CE5KE		5	7	3		
		5	20	3		
		5	225	2		
		5	295A	2		
BACR15CE6KE		5	821B	1		
		5	925	2		

78-31-22

 ILLUSTRATED PARTS LIST
 01.1 Page 1016
 Nov 01/03

PART NUMBER	AIRLINE PART NO.	FIG.	ITEM	TTL REQ
BACR15DR3A5		1	223	26
		7	506	26
BACR15FT5KE		5	286	2
		5	360	24
		5	455	30
		5	470	20
		5	475	30
BACR15FT6KE		5	821A	1
		5		
BACS4OR06C06F		1	294	2
		7	587	2
BACS4OR09C09F		5	8P	1
		5	40	1
		5	695	10
BACS4OR09C90F		5	530	5
		2	83B	2
BACS4OR10B38F		3	143A	2
		4	143B	2
		2	20D	4
		2	55D	4
BACS4OR10C10F		3	28B	4
		3	79A	4
		4	38	4
BACS4OR10C10F		4	103B	4
		2	20B	1
		2	55B	1
		3	27	1
		3	77	1
BACS4OR10C22F		4	35	1
		4	102	1
		5	770E	36
		1	10	6
BACS4OR10D10F		7	127	6
		1	85	2
BACS4OR10D40F		1	120	2
		1		
		7	300	4
BACS4OR11A27F		1	85	2
		1	120	2
		7	300	4

78-31-22

PART NUMBER	AIRLINE PART NO.	FIG.	ITEM	TTL REQ
BACS4OR11A42F		1	95	2
		1	132	2
		7	310	4
BACS4OR11B27F		1	88	2
		1	123	2
		7	305	4
BACS4OR11B42F		1	98	2
		1	135	2
		7	315	4
BACS4OR11C22F		2	20A	1
		2	55A	1
		3	28	1
		3	78	1
		4	36	1
		4	103	1
		1	69	3
BACS4OR12B480F		7	260	3
		1	270	2
BACS4OR14B270F		7	560	2
		1	335	1
BACS4OR14C240F		1	406	1
		7	626	2
		1	338	1
BACS4OR14C28F		1	409	1
		7	629	2
BACS4OR14C28F BACS4OR15B38F		2	83	2
		3	143	2
		4	143	2
		1	359	1
BACS4OR17C130F		1	430	1
		7	632	2
		1	37	1
BACS4OR20C30F		1	53	1
		1	58P	1
		7	175	1
		7	230	1
BACS4OU4L3C		2	125A	1
		3	230B	1
		4	245A	1
BACW10BP3NAPU		2	160A	2
		3	265A	2
		4	280A	2

78-31-22

 ILLUSTRATED PARTS LIST
 01.1 Page 1018
 Nov 01/03

PART NUMBER	AIRLINE PART NO.	FIG.	ITEM	TTL REQ
BACW10BP3NDP		2	160	2
		3	265	2
		4	280	2
BACW10BP3NPTU		2	160B	2
		3	265B	2
		4	280B	2
BACW10BP4ACU		1	564	36
		7	704	36
BACW10BP6CD		1	538A	6
		7	678	6
BACW10EH10AY		1	600A	12
		7	723A	12
BACW10P63AL		1	588	12
		7	713	12
BCREF7248		1	3U	1
BH003026CS		1	543	6
		7	683	6
BH00303-6		1	543	6
		7	683	6
BH003036		1	543	6
		7	683	6
BH00309-3		2	85A	4
		3	145A	4
		4	145A	4
BH00309-3S		2	85A	4
		3	145A	4
BH00309-3S		4	145A	4
		1	543	6
BMN5024CPD3-6		7	683	6
		1	543	6
BMN5024CPD36		7	683	6
		5	537	35
BRF100C3M		5	685	10
		5	785	4
		5	794	43
		5	803	10
		1	172A	3
BRF100C4M		1	221	2
		7	430A	3
		7	512	2
BRF110AC3D		5	653	2

78-31-22

PART NUMBER	AIRLINE PART NO.	FIG.	ITEM	TTL REQ
BRF200A3		1	480	3
		7	659	3
BRF200C3M		1	591	12
		5	535	45
		5	776	37
		5	809	45
		5	827	2
		5	836	10
		5	845	4
		5	854	5
		5	872	2
		5	881	2
		5	890	5
		5	899	4
		5	935	2
BRF200C4M		7	719	12
		1	202	12
		1	220	11
		7	485	12
		7	509	11
BRF210A3		1	513	3
		7	671	3
BRF270A3		1	513	3
		7	671	3
BRH10C08M		1	301	4
		7	578	4
BRH10C3M		1	10A	6
		5	8J	9
		5	35	9
		5	200	32
		5	213N	10
BRH10C3M		5	245	10
		5	280	2
		5	315	12
		5	425	12
		5	525	10
		5	625	86
		7	100	6
BRH10C4M		1	273	14
		7	557	14
B30MY5K3		5	270A	2
		5	330	24
B30MY5K4		5	287	2

78-31-22

 ILLUSTRATED PARTS LIST
 01.1 Page 1020
 Nov 01/03

PART NUMBER	AIRLINE PART NO.	FIG.	ITEM	TTL REQ
B30MY6K2		5	393	6
		5	395	12
		5	399	18
B30MY6K3		5	375	27
		5	394	6
		5	380	9
B30MY6K4		5	430	36
		5	500	30
		5	500	30
B30MY6K5		1	462	1
		1	495	1
		5	370	12
		5	480	10
		5	550	94
		5	810	1
		7	635	2
B30MY6K9		1	468	2
		1	501	2
		7	641	4
B30NW10K15		1	356A	3
		1	427A	3
		7	620	6
B30NW5K4		5	90	4
		5	120	16
		5	140	4
B30NW6K11		1	344	6
		1	415	6
		7	611	12
B30NW6K13		1	347	1
		1	418	1
		7	614	2
B30NW6K5		5	365	12
		5	485	10
		5	810G	2

78-31-22

PART NUMBER	AIRLINE PART NO.	FIG.	ITEM	TTL REQ
B30NW8K11		1	332	2
		1	403	2
		7	602	4
B30NW8K13		1	350	2
		1	421	2
		7	605	4
B30NW8K7		1	326	3
		1	397	3
		7	596	6
B30NW8K8		1	329	2
		1	400	2
		7	599	4
CCR264CS3-5TT		1	223	26
		7	506	26
CR2164-5-2		5	228	1
CR2164-5-3		5	21A	4
		5	180A	16
		5	227A	4
CR5908		1	543	6
		7	683	6
F171-3		1	513	3
		7	671	3
F177C3D		5	653	2
F2001-3		5	537	35
		5	685	10
		5	785	4
		5	794	43
		5	803	10
		1	172A	3
F2001-4		1	221	2
		7	430A	3
		7	512	2
F2400C3D		5	653	2

78-31-22

ILLUSTRATED PARTS LIST
 01.1 Page 1022
 Nov 01/03

315T3500
 315T3001
 315T4026 DASH NUMBERS
 LIMITED

 **BOEING**
 COMPONENT
 MAINTENANCE MANUAL

PART NUMBER	AIRLINE PART NO.	FIG.	ITEM	TTL REQ
F5000-3BAC		1	480	3
		7	659	3
F5001-3BAC		1	591	12
		5	535	45
		5	776	37
		5	809	45
		5	827	2
		5	836	10
		5	845	4
		5	854	5
		5	872	2
		5	881	2
		5	890	5
		5	899	4
		5	935	2
		7	719	12
		F5001-4BAC		1
1	220			11
7	485			12
7	509			11
HL10VAZ5-3		5	270A	2
		5	330	24
HL10VAZ5-4		5	287	2
HL10VAZ6-2		5	393	6
		5	395	12
HL10VAZ6-3		5	399	18
		5	375	27
HL10VAZ6-4		5	394	6
		5	380	9
HL10VAZ6-5		5	430	36
		5	500	30
		1	462	1
		1	495	1
		5	370	12
		5	480	10
		5	550	94
5	810	1		
		7	635	2

78-31-22

ILLUSTRATED PARTS LIST
 01.1 Page 1023
 Nov 01/03

PART NUMBER	AIRLINE PART NO.	FIG.	ITEM	TTL REQ
HL10VAZ6-6		1	468B	2
		1	501B	2
		2	155A	1
		3	260A	1
		4	275A	1
		5	435	12
		7	641A	4
HL10VAZ6-9		1	468	2
		1	501	2
		7	641	4
HL11VAZ10-15		1	356A	3
		1	427A	3
		7	620	6
HL11VAZ5-4		5	90	4
		5	120	16
		5	140	4
		1	344	6
HL11VAZ6-11		1	415	6
		7	611	12
		1	347	1
HL11VAZ6-13		1	418	1
		7	614	2
		5	365	12
HL11VAZ6-5		5	485	10
		5	810G	2
		1	332	2
		1	403	2
HL11VAZ8-11		7	602	4
		1	350	2
		1	421	2
HL11VAZ8-13		7	605	4
		1	326	3
		1	397	3
HL11VAZ8-7		7	596	6
		1	329	2
		1	400	2
HL11VAZ8-8		7	599	4
		5	365	12
		5	485	10
HL11V6-5		5	810G	2
		5	716D	6
		5	752D	6
		6	50	6
HL1187DU6		6	105	6
		6	105	6

78-31-22

 ILLUSTRATED PARTS LIST
 01.1 Page 1024
 Nov 01/03

PART NUMBER	AIRLINE PART NO.	FIG.	ITEM	TTL REQ
HL13VAZ6-6		5	716C	6
		5	752C	6
		6	45	6
HL13V6		6	100	6
		5	716C	6
		5	752C	6
		6	45	6
HL19-5-4		6	100	6
		5	645	16
		1	94	2
HL523-17		1	282	12
		7	292	2
		7	572	12
HL523AZ5-14		1	105	12
		7	340	12
HL523AZ6-18		2	15	2
		2	50	2
		2	80	4
		3	25	2
		3	75	2
		3	140	4
		4	23	2
		4	100	2
		4	140	4
		4	188	27
HL523AZ6-4		1	188	27
		7	455	27
HL523AZ6-5		2	10	2
		2	45	2
		3	20	2
		3	70	2
		4	20	2
		4	95	2
		5	627	2
HL523AZ8-11		1	276	2
		7	563	2
HL523AZ8-15		1	279	2
		7	566	2
HL523AZ8-16		1	93	2
		1	94A	2
HL523AZ8-16		1	129	6
		1	280A	2
		7	290	8
		7	292A	2
		7	569	2

78-31-22

ILLUSTRATED PARTS LIST
 01.1 Page 1025
 Nov 01/03

PART NUMBER	AIRLINE PART NO.	FIG.	ITEM	TTL REQ
HL523AZ8-17		1	94	2
		1	282	12
		7	292	2
		7	572	12
HL523AZ8-18		1	83	2
		1	84A	2
		1	117	4
		7	285	6
		7	287A	2
HL523AZ8-19		1	84	2
HL523AZ8-7		7	287	2
		1	161	9
HL70-5		7	405	9
		1	108	12
		5	95	4
		5	125	16
		5	145	4
		5	280A	2
		5	289	2
HL70-5		5	335	24
		5	650	16
HL79-10		7	345	12
		1	368	3
HL79-5		1	439	3
		7	623	6
		1	108	12
		5	95	4
		5	125	16
		5	145	4
		5	280A	2
		5	289	2
		5	335	24
5	650	16		
		7	345	12

78-31-22

ILLUSTRATED PARTS LIST
 01.1 Page 1026
 Nov 01/03

PART NUMBER	AIRLINE PART NO.	FIG.	ITEM	TTL REQ	
HL79-6		1	191	27	
		1	362	7	
		1	433	7	
		1	465	1	
		1	477	2	
		1	498	1	
		1	510	2	
		2	25	4	
		2	60	4	
		2	85	4	
		3	40	4	
		3	100	4	
		3	145	4	
		4	55	4	
		4	115	4	
		4	145	4	
		5	385	60	
		5	396	12	
		5	400	18	
		5	440	48	
		5	490	20	
		5	505	30	
		5	555	94	
		5	628	2	
		5	811	3	
		7	460	27	
		7	617	14	
	HL79-6		7	638	2
			7	644	4
	HL79-8		1	91	4
			1	101	4
			1	126	4
			1	138	6
		1	169	9	
		1	300	14	
		1	341	7	
		1	365	2	
		1	412	7	
		1	436	2	
		7	295	18	
	7	415	9		
	7	575	14		
	7	608	18		

78-31-22

ILLUSTRATED PARTS LIST
 01.1 Page 1027
 Nov 01/03

PART NUMBER	AIRLINE PART NO.	FIG.	ITEM	TTL REQ
HL87DU6		5	716D	6
		5	752D	6
		6	50	6
		6	105	6
HL97KG6		2	165A	1
		3	270A	1
		4	285A	1
HL97PB6		2	165A	1
		3	270A	1
		4	285A	1
H01-08BAC		1	301	4
		7	578	4
H01-3BAC		1	10A	6
		5	8J	9
		5	35	9
		5	200	32
		5	213N	10
		5	245	10
		5	280	2
		5	315	12
		5	425	12
		5	525	10
		5	625	86
		7	100	6
		H01-4BAC		1
7	557			14
H39953		1	543	6
		7	683	6
H39953-6		1	543	6
		7	683	6
KDJ4-126		2	135C	1
		3	245C	1
		4	260C	1
KFN600-3		2	85A	4
		3	145A	4
		4	145A	4

78-31-22

ILLUSTRATED PARTS LIST
 01.1 Page 1028
 Nov 01/03

PART NUMBER	AIRLINE PART NO.	FIG.	ITEM	TTL REQ
KFN600-3S		2	85A	4
		3	145A	4
		4	145A	4
KJB229504B		6	55A	12
		6	110A	6
KJB232504B		2	135B	1
		3	245B	1
		4	260B	1
KMB6-29		1	552A	6
		80	1	RF
L8006K6		1	468B	2
		1	501B	2
		2	155A	1
		3	260A	1
		4	275A	1
		5	435	12
		7	641A	4
L801-6K6		5	716C	6
		5	752C	6
		6	45	6
		6	100	6
L803-10K15		1	356A	3
		1	427A	3
		7	620	6
L803-5K4		5	90	4
		5	120	16
		5	140	4
		5	365	12
L803-6-5		5	485	10
		5	810G	2
		1	344	6
L803-6K11		1	415	6
		7	611	12
		1	347	1
L803-6K13		1	418	1
		1	418	1
		7	614	2

78-31-22

ILLUSTRATED PARTS LIST
 01.1 Page 1029
 Nov 01/03

PART NUMBER	AIRLINE PART NO.	FIG.	ITEM	TTL REQ
L803-8K11		1	332	2
		1	403	2
		7	602	4
L803-8K13		1	350	2
		1	421	2
		7	605	4
L803-8K7		1	326	3
		1	397	3
		7	596	6
L803-8K8		1	329	2
		1	400	2
		7	599	4
L804-5K14		1	105	12
		7	340	12
L804-6K18		2	15	2
		2	50	2
		2	80	4
		3	25	2
		3	75	2
		3	140	4
		4	23	2
		4	100	2
		4	140	4
		4	140	4
L804-6K4		1	188	27
		7	455	27
L804-6K5		2	10	2
		2	45	2
		3	20	2
		3	70	2
		4	20	2
		4	95	2

78-31-22

ILLUSTRATED PARTS LIST
 01.1 Page 1030
 Nov 01/03

PART NUMBER	AIRLINE PART NO.	FIG.	ITEM	TTL REQ
L804-6K6		5	627	2
L804-8K11		1	276	2
		7	563	2
L804-8K15		1	279	2
		7	566	2
L804-8K16		1	93	2
		1	94A	2
		1	129	6
		1	280A	2
		7	290	8
		7	292A	2
		7	569	2
L804-8K17		1	94	2
		1	282	12
		7	292	2
		7	572	12
L804-8K18		1	83	2
		1	84A	2
		1	117	4
		7	285	6
		7	287A	2
L804-8K19		1	84	2
		7	287	2
L804-8K7		1	161	9
		7	405	9
L839-5-4		5	645	16
MS20002C6		1	538	6
MS20392-6C71		1	525	6
MS21043-4		1	567A	12
MS21209F7-10P		1	143	3
		7	375	3
MS21209F8-10		1	140	1
		1	141T	1
		1	815A	1
		7	360	1
		7	369A	1
MS21209F8-10L		1	141S	1
		1	815	1
		7	369	1
MS21209F8-10P		1	141U	1
		1	815B	1
		7	369B	1

78-31-22

PART NUMBER	AIRLINE PART NO.	FIG.	ITEM	TTL REQ
MS24665-304 NAS1399D5-2		1	524	6
		5	75B	6
		5	85B	13
		5	105A	85
		5	115	64
		5	135B	12
		5	160B	7
NAS1399D5-3		5	212J	1
		5	7J	4
		5	75A	6
		5	85A	13
		5	135A	12
		5	160A	7
		5	167	16
NAS1399D5-4		5	212	5
		5	226	1
		5	97	4
		5	127	16
		5	147	4
NAS1805-4		1	567B	12
NAS1805-4N		7	707	12
		2	105	1
		3	235	1
NAS1835C4P		4	250	1
		1	318	4
		7	812	4
NAS43DD7-109		1	528	6
NAS6704U18		1	561A	12
		7	701	12
NS103203-02		1	480	3
		7	659	3

78-31-22

 ILLUSTRATED PARTS LIST
 01.1 Page 1032
 Nov 01/03

315T3500
 315T3001
 315T4026 DASH NUMBERS
 LIMITED

 **BOEING**
 COMPONENT
 MAINTENANCE MANUAL

PART NUMBER	AIRLINE PART NO.	FIG.	ITEM	TTL REQ
NS103203SE02		1	591	12
		5	535	45
		5	776	37
		5	809	45
		5	827	2
		5	836	10
		5	845	4
		5	854	5
		5	872	2
		5	881	2
		5	890	5
		5	899	4
		5	935	2
		7	719	12
NS103203SE048		1	202	12
		1	220	11
		7	485	12
		7	509	11
NS202101SE02		1	10A	6
		5	8J	9
		5	35	9
		5	200	32
		5	213N	10
		5	245	10
		5	280	2
		5	315	12
		5	425	12
		5	525	10
NS202101SE82		5	625	86
		7	100	6
		1	301	4
		7	578	4
P21620		2	30	1
		2	65	1
		3	45	1
		3	110	1

78-31-22

ILLUSTRATED PARTS LIST
 01.1 Page 1033
 Nov 01/03

PART NUMBER	AIRLINE PART NO.	FIG.	ITEM	TTL REQ
P21620		4	60	1
		4	120	1
P21621		81	5	1
P21630		1	552A	6
		7	692	6
		80	1	RF
P21631		80	5	1
RMF9201-3		1	480	3
		7	659	3
RV541A3-5		1	223	26
		7	506	26
SL7022C332		1	40A	4
		1	56A	4
SL705096		1	543	6
		7	683	6
SL7059C624		1	543	6
		7	683	6
S302T001-301A		2	30	1
		2	65	1
		3	45	1
		3	110	1
		4	60	1
		4	120	1
		81	1	RF
S302T001-301B		81	5	1
S302T001-302A		1	552A	6
		7	692	6
		80	1	RF
S302T001-302B		80	5	1
S315T310-10		1	583V	1
S315T310-6		1	576Y	4
S315T310-7		1	571T	1
S315T310-8		1	571U	1
S315T310-9		1	583U	1

78-31-22

 ILLUSTRATED PARTS LIST
 01.1 Page 1034
 Nov 01/03

PART NUMBER	AIRLINE PART NO.	FIG.	ITEM	TTL REQ
T6C1032JM		1	10A	6
		5	8J	9
		5	35	9
T6C1032JM		5	200	32
		5	213N	10
		5	245	10
		5	280	2
		5	315	12
		5	425	12
		5	525	10
		5	625	86
		7	100	6
		1	273	14
T6C428JM		7	557	14
		1	301	4
T6C832JM		7	578	4
		1	480	3
T8091S1032		7	659	3
		1	591	12
T8092C1032		5	535	45
		5	776	37
		5	809	45
		5	827	2
		5	836	10
		5	845	4
		5	854	5
		5	872	2
		5	881	2
		5	890	5
		5	899	4
		5	935	2
		7	719	12
T8092C428		1	202	12
		1	220	11
		7	485	12
		7	509	11
T8113C1032C		5	537	35
		5	685	10
		5	785	4
		5	794	43
		5	803	10

78-31-22

PART NUMBER	AIRLINE PART NO.	FIG.	ITEM	TTL REQ
T8113C428C		1	172A	3
		1	221	2
		7	430A	3
USB4-136		7	512	2
		2	30B	1
		2	65B	1
USB4-136		3	45B	1
		3	110B	1
		4	60B	1
VN151D1-02		4	120B	1
		5	537	35
		5	685	10
		5	785	4
		5	794	43
VN151D1-048		5	803	10
		1	172A	3
		1	221	2
		7	430A	3
		7	512	2
VN152A1-02		1	480	3
		7	659	3
VN152D1-02		1	591	12
		5	535	45
		5	776	37
		5	809	45
		5	827	2
		5	836	10
		5	845	4
		5	854	5
		5	872	2
		5	881	2
		5	890	5
5	899	4		
5	935	2		
7	719	12		

78-31-22

ILLUSTRATED PARTS LIST
 01.1 Page 1036
 Nov 01/03

315T3500
 315T3001
 315T4026 DASH NUMBERS
 LIMITED

 **BOEING**
 COMPONENT
 MAINTENANCE MANUAL

PART NUMBER	AIRLINE PART NO.	FIG.	ITEM	TTL REQ
VN152D1-048		1	202	12
		1	220	11
		7	485	12
		7	509	11
		1	10A	6
VN303D02		5	8J	9
		5	35	9
		5	200	32
		5	213N	10
		5	245	10
		5	280	2
		5	315	12
		5	425	12
		5	525	10
		5	625	86
		7	100	6
		1	273	14
	VN303D048		7	557
VN303D048		1	301	4
VN303D82		7	578	4
VN497B02		1	40A	4
		1	56A	4
VN497DM02		1	40	4
		1	56	4
VTB04540		2	30	1
		2	65	1
		3	45	1
		3	110	1
		4	60	1
		4	120	1
		81	1	RF

78-31-22

ILLUSTRATED PARTS LIST
 01.1 Page 1037
 Nov 01/03

PART NUMBER	AIRLINE PART NO.	FIG.	ITEM	TTL REQ
VTB04541		81	5	1
VTB04542		81	10	1
VTB04550		1	552A	6
		7	692	6
		80	1	RF
VTB04551		80	5	1
VTB04552		80	10	1
015T0236-8		2	145E	1
015T0263-10		1	576N	4
		2	1M	RF
015T0263-12		1	576P	4
		2	1N	RF
015T0263-13		1	579D	1
		4	1M	RF
015T0263-14		1	582Z	1
		4	5M	RF
015T0263-15		1	583	1
		4	1N	RF
015T0263-16		1	583A	1
		4	1P	RF
015T0263-20		1	583C	1
		3	1T	RF
		4	5P	RF
015T0263-21		1	571	1
		3	5N	RF
015T0263-22		1	573E	1
		3	1N	RF
015T0263-23		1	571A	1
		3	5P	RF
015T0263-24		1	573F	1
		3	1P	RF
015T0263-27		1	571B	1
		3	5Q	RF
015T0263-28		1	571C	1
		3	1Q	RF

78-31-22

 ILLUSTRATED PARTS LIST
 01.1 Page 1038
 Nov 01/03

PART NUMBER	AIRLINE PART NO.	FIG.	ITEM	TTL REQ
015T0263-29		5	745E	5
015T0263-30		5	715E	5
015T0263-31		5	750E	1
015T0263-32		5	710E	1
015T0263-33		5	745D	5
015T0263-34		5	715D	5
015T0263-35		5	750D	1
015T0263-36		5	710D	1
015T0263-5		2	75L	1
		3	138G	1
		4	135Q	1
015T0263-6		2	1R	RF
		2	75K	1
		3	138H	1
		4	135N	1
015T0263-71		2	1P	RF
015T0263-8		3	255F	1
		4	270E	1
015T0263-9		1	576M	4
		2	1L	RF
015T0350-12		1	583M	1
015T0350-19		3	5T	RF
015T0530-10		1	583K	1
		4	5R	RF
015T0530-11		1	583L	1
		4	1S	RF
015T0530-15		4	1T	RF
015T0530-16		4	5S	RF
015T0530-17		1	571K	1
		3	5S	RF
015T0530-18		1	573G	1
		3	1S	RF
015T0530-19		1	571L	1
015T0530-20		1	573H	1
015T0530-23		1	571M	1
		3	5U	RF
015T0530-24		1	571N	1
		3	1U	RF
015T0530-25		1	571P	1
015T0530-25		3	5V	RF
015T0530-26		1	571Q	1
		3	1V	RF
015T0530-27		1	583Q	1
		4	1U	RF

78-31-22

PART NUMBER	AIRLINE PART NO.	FIG.	ITEM	TTL REQ
015T0530-28		1	583R	1
		4	5T	RF
015T0530-29		1	576W	4
		2	1T	RF
015T0530-5		1	576T	4
		2	1Q	RF
015T0530-6		1	576U	4
015T0530-8		2	1S	RF
015T0530-82		1	576V	4
015T0530-9		1	579E	1
		4	1R	RF
109F9201-3		1	591	12
		5	535	45
		5	776	37
		5	809	45
		5	827	2
		5	836	10
		5	845	4
		5	854	5
		5	872	2
		5	881	2
		5	890	5
		5	899	4
		5	935	2
109F9201-4		7	719	12
		1	202	12
		1	220	11
109F9207-3		7	485	12
		7	509	11
		5	537	35
		5	685	10
		5	785	4
		5	794	43
		5	803	10

78-31-22

ILLUSTRATED PARTS LIST
 01.1 Page 1040
 Nov 01/03

315T3500
 315T3001
 315T4026 DASH NUMBERS
 LIMITED

 **BOEING**
 COMPONENT
 MAINTENANCE MANUAL

PART NUMBER	AIRLINE PART NO.	FIG.	ITEM	TTL REQ
109F9207-4		1	172A	3
		1	221	2
		7	430A	3
109LH8574-3		7	512	2
		1	40	4
		1	56	4
109LH9031-6		1	543	6
		7	683	6
109LH90316		1	543	6
		7	683	6
109LH9075-3W		1	10A	6
		5	8J	9
		5	35	9
		5	200	32
		5	213N	10
		5	245	10
		5	280	2
		5	315	12
		5	425	12
		5	525	10
109LH9075-4W		5	625	86
		7	100	6
		1	273	14
109LH9075-82W		7	557	14
		1	301	4
2ASPPPDT613		7	578	4
		1	18B	6
2ASPPSDT6		7	105	6
		1	19A	6
		7	110	6
21-0001-01		1	576Y	4
21-1001-01		1	571T	1
21-1001-02		1	571U	1

78-31-22

ILLUSTRATED PARTS LIST
 01.1 Page 1041
 Nov 01/03

PART NUMBER	AIRLINE PART NO.	FIG.	ITEM	TTL REQ
21-2001-01		1	583U	1
21-2001-02		1	583V	1
315T3001-14		1	576C	4
		2	1C	RF
315T3001-17		1	570J	1
		3	5D	RF
315T3001-18		1	570K	1
		3	1D	RF
315T3001-21		1	582H	1
		4	1D	RF
315T3001-22		1	582J	1
		4	5D	RF
315T3001-39		1	1C	RF
315T3001-40		1	2B	RF
315T3155-2		2	135A	1
		3	245A	1
		4	260A	1
315T3158-1		5	397D	5
315T3158-1		5	398B	4
315T3158-2		5	397F	5
		5	398	4
315T3158-3		5	397C	2
		5	398D	1
315T3158-4		5	397	2
		5	398F	1
315T3158-5		5	403D	5
		5	404B	4
315T3158-6		5	403G	5
		5	404	4
315T3158-7		5	403C	2
		5	404D	1
315T3158-8		5	403	2
		5	404G	1
315T3158-9		5	402	12
315T3500-1		1	1	RF
315T3500-10		1	291	4
		7	584	4
315T3500-11		1	320	2
		7	593	2

78-31-22

 ILLUSTRATED PARTS LIST
 01.1 Page 1042
 Nov 01/03

315T3500
 315T3001
 315T4026 DASH NUMBERS
 LIMITED

 **BOEING**
 COMPONENT
 MAINTENANCE MANUAL

PART NUMBER	AIRLINE PART NO.	FIG.	ITEM	TTL REQ
315T3500-12		1	5	4
315T3500-2		1	2	RF
315T3500-21		1	1A	RF
315T3500-22		1	2A	RF
315T3500-23		1	1D	RF
		7	1	RF
315T3500-24		1	2C	RF
		7	5	RF
315T3500-27		1	1E	RF
315T3500-28		1	2D	RF
315T3500-3		1	297	2
		7	590	2
315T3500-4		1	474	1
		1	507	1
		7	650	2
315T3500-5		1	471	1
		1	504	1
		7	647	2
315T3500-5002		1	3K	1
315T3500-5030		1	4E	1
315T3500-5031		7	800	1
315T3500-5032		7	803	1
315T3500-5033		1	4F	1
315T3500-5034		1	4G	1
315T3500-5035		1	2L	1
315T3500-5036		1	2Q	1
315T3500-5037		1	2M	1
315T3500-5038		1	2R	1
315T3500-5041		1	2N	1
315T3500-5042		1	2S	1
315T3500-5043		1	2P	1
315T3500-5044		1	2T	1
315T3500-7001		7	10	1
315T3500-7002		7	15	1
315T3500-9		1	288	4
		7	581	4
315T3501-1		1	625	1
		5	1	RF
315T3501-11		1	635	1
		5	1A	RF
315T3501-12		1	640	1
		5	5A	RF
315T3501-13		1	642	1

78-31-22

ILLUSTRATED PARTS LIST
 01.1 Page 1043
 Nov 01/03

PART NUMBER	AIRLINE PART NO.	FIG.	ITEM	TTL REQ
315T3501-14		1	640A	1
315T3501-15		1	645	1
		6	1	RF
		7	875	1
315T3501-16		1	650	1
		6	5	RF
		7	878	1
315T3501-2		1	630	1
		5	5	RF
315T3501-29		7	869	1
315T3501-3		5	700	1
315T3501-30		7	872	1
315T3501-31		5	771A	5
315T3501-32		5	772A	1
315T3501-33		5	770G	6
315T3501-4		5	705	1
315T3501-5001		1	655	1
		5	1B	RF
315T3501-5002		1	660	1
		5	5B	RF
315T3501-5003		1	655A	1
		5	1C	RF
315T3501-5004		1	660A	1
		5	5C	RF
315T3501-5005		6	10	1
315T3501-5006		6	15	1
315T3501-5007		6	10A	1
315T3501-5008		6	15A	1
315T3501-5027		1	655B	1
		5	1D	RF
315T3501-5028		1	660B	1
		5	5D	RF
315T3501-5029		1	655C	1
		5	1E	RF
315T3501-5030		1	660C	1
		5	5E	RF

78-31-22

 ILLUSTRATED PARTS LIST
 01.1 Page 1044
 Nov 01/03

315T3500
 315T3001
 315T4026 DASH NUMBERS
 LIMITED

 **BOEING**
 COMPONENT
 MAINTENANCE MANUAL

PART NUMBER	AIRLINE PART NO.	FIG.	ITEM	TTL REQ
315T3501-5031		5	1F	RF
		7	881	1
315T3501-5032		5	5F	RF
		7	884	1
315T3501-5033		1	655D	1
		5	1G	RF
315T3501-5034		1	660D	1
		5	5G	RF
315T3501-5035		1	655E	1
		5	1H	RF
315T3501-5036		1	660E	1
		5	5H	RF
315T3501-5037		1	655F	1
		5	1J	RF
315T3501-5038		1	660F	1
		5	5J	RF
315T3501-5039		6	10B	1
315T3501-5040		6	15B	1
315T3501-5043		6	10D	1
315T3501-5044		6	15D	1
315T3501-5049		1	655G	1
315T3501-5049		5	1K	RF
315T3501-5050		1	660G	1
		5	5K	RF
315T3501-5051		6	10E	1
315T3501-5052		6	15E	1
315T3501-5053		6	10F	1
315T3501-5054		6	15F	1
315T3501-5057		1	655H	1
		5	1L	RF
315T3501-5058		1	660H	1
		5	5L	RF

78-31-22

ILLUSTRATED PARTS LIST
 01.1 Page 1045
 Nov 01/03

PART NUMBER	AIRLINE PART NO.	FIG.	ITEM	TTL REQ
315T3501-5059		1	655J	1
		5	1M	RF
315T3501-5060		1	660J	1
		5	5M	RF
315T3501-5061		6	10G	1
315T3501-5062		6	15G	1
315T3501-5063		1	655K	1
		5	1N	RF
315T3501-5064		1	660K	1
		5	5N	RF
315T3501-9		5	680	5
315T3502-1		1	303	1
315T3502-2		1	306	1
315T3502-53		7	806	1
315T3502-54		7	809	1
315T3502-81		1	303A	1
315T3502-82		1	306A	1
315T3504-3		1	5C	1
		7	20	1
315T3504-4		1	5D	1
		7	25	1
315T3504-5		1	5H	1
		7	30	1
315T3505-1		1	391	1
		7	830	1
315T3505-13		7	815	1
315T3505-14		7	818	1
315T3505-2		1	394	1
		7	833	1
315T3505-3		1	388	1
		1	453	1
		7	827	1
		7	845	1
315T3505-4		1	385	1
315T3505-4		1	456	1
		7	824	1
		7	848	1
315T3505-7		1	323	1

78-31-22

 ILLUSTRATED PARTS LIST
 01.1 Page 1046
 Nov 01/03

315T3500
 315T3001
 315T4026 DASH NUMBERS
 LIMITED

 **BOEING**
 COMPONENT
 MAINTENANCE MANUAL

PART NUMBER	AIRLINE PART NO.	FIG.	ITEM	TTL REQ
315T3505-8		1	321	1
315T3505-9		1	371	1
		1	442	1
		7	821	1
		7	836	1
315T3506-11		1	24	1
		7	135	1
315T3506-12		1	43	1
		7	130	1
315T3506-13		1	41	1
		7	170	1
315T3506-14		1	57	1
		7	165	1
315T3506-15		1	24A	1
		7	135A	1
315T3506-16		1	43A	1
		7	130A	1
315T3506-17		1	41A	1
		7	170A	1
315T3506-18		1	57A	1
		7	165A	1
315T3506-20		1	57V	1
		1	58J	1
		7	185	1
315T3506-22		1	58S	1
		7	225	1
315T3506-23		1	58Z	1
		7	215	1
315T3506-25		1	24C	1
		7	135B	1
315T3506-26		1	43C	1
		7	130B	1
315T3506-27		1	41C	1
		7	170B	1
315T3506-28		1	57C	1
315T3506-28		7	165B	1
315T3506-29		1	57Y	1
		1	58K	1
		7	180	1
315T3506-3		1	42	1
		1	58	1
		7	160	1

78-31-22

ILLUSTRATED PARTS LIST
 01.1 Page 1047
 Nov 01/03

PART NUMBER	AIRLINE PART NO.	FIG.	ITEM	TTL REQ
315T3506-31		1	58T	1
		7	220	1
315T3506-33		1	58Y	1
		7	210	1
315T3506-34		1	42B	1
		1	58B	1
		7	160A	1
315T3506-35		1	24D	1
		7	135C	1
315T3506-36		1	43D	1
		7	130C	1
315T3506-37		1	41D	1
		7	170C	1
315T3506-38		1	57D	1
		7	165C	1
315T3506-39		1	57X	1
		1	58C	1
		7	180A	1
315T3506-40		1	57U	1
		1	58F	1
		7	185A	1
315T3506-41		1	58W	1
		7	220A	1
315T3506-42		1	58X	1
		7	225A	1
315T3506-43		1	24F	1
315T3506-44		1	43F	1
315T3506-45		1	41E	1
315T3506-46		1	57E	1
315T3507-1		1	576	4
315T3507-1		2	1	RF
315T3507-19		2	55	2
		3	30	2
		4	105	2

78-31-22

 ILLUSTRATED PARTS LIST
 01.1 Page 1048
 Nov 01/03

315T3500
 315T3001
 315T4026 DASH NUMBERS
 LIMITED

 **BOEING**
 COMPONENT
 MAINTENANCE MANUAL

PART NUMBER	AIRLINE PART NO.	FIG.	ITEM	TTL REQ
315T3507-2		2	100	1
315T3507-20		2	20	2
		3	35	2
		4	110	2
315T3507-43		1	576A	4
		2	1A	RF
315T3507-44		2	100A	1
315T3507-63		1	576B	4
		2	1B	RF
315T3507-65		1	576E	4
		2	1E	RF
315T3507-68		2	100B	1
315T3507-71		1	576F	4
		2	1F	RF
315T3507-72		2	1G	RF
		7	857	4
315T3507-73		1	576K	4
		2	1J	RF
		7	857A	4
315T3508-137		1	570E	1
		3	5B	RF
315T3508-138		1	570F	1
		3	1B	RF
315T3508-139		3	210B	1
315T3508-140		3	205B	1
315T3508-147		1	570L	1
		3	5E	RF
315T3508-148		1	570M	1
		3	1E	RF
315T3508-151		3	210C	1
315T3508-152		3	205C	1
315T3508-157		1	570N	1
		1	571D	1
		3	5F	RF

78-31-22

ILLUSTRATED PARTS LIST
 01.1 Page 1049
 Nov 01/03

PART NUMBER	AIRLINE PART NO.	FIG.	ITEM	TTL REQ
315T3508-158		1	570P	1
		1	571E	1
		3	1F	RF
315T3508-159		3	5K	RF
		7	851	1
315T3508-160		3	1K	RF
		7	854	1
315T3508-161		1	570X	1
		3	5L	RF
		7	851A	1
315T3508-162		1	570Y	1
		3	1L	RF
		7	854A	1
315T3508-163		1	570S	1
		3	5H	RF
315T3508-164		1	570T	1
		3	1H	RF
315T3508-25		3	85	1
		4	30	1
315T3508-26		3	80	1
		4	25	1
315T3508-45		3	95	1
		4	50	1
315T3508-46		3	90	1
		4	45	1
315T3508-65		3	210	1
315T3508-66		3	205	1
315T3508-87		1	570A	1
		3	5	RF
315T3508-88		1	573A	1
		3	1	RF
315T3508-89		1	570B	1
		3	5A	RF
315T3508-90		1	573B	1
		3	1A	RF
315T3508-91		3	210A	1

78-31-22

 ILLUSTRATED PARTS LIST
 01.1 Page 1050
 Nov 01/03

315T3500
 315T3001
 315T4026 DASH NUMBERS
 LIMITED

 **BOEING**
 COMPONENT
 MAINTENANCE MANUAL

PART NUMBER	AIRLINE PART NO.	FIG.	ITEM	TTL REQ
315T3508-92		3	205A	1
315T3509-100		1	582L	1
		4	5E	RF
315T3509-103		4	205B	1
315T3509-104		4	210B	1
315T3509-109		1	582M	1
		1	583D	1
		4	1F	RF
315T3509-110		1	582N	1
		1	583E	1
		4	5F	RF
315T3509-111		4	1G	RF
		7	860	1
315T3509-112		4	5G	RF
		7	863	1
315T3509-113		1	582W	1
		4	1K	RF
		7	860A	1
315T3509-114		1	582X	1
		4	5K	RF
		7	863A	1
315T3509-115		1	582R	1
		4	1H	RF
315T3509-116		1	582S	1
		4	5H	RF
315T3509-158		3	1R	RF
315T3509-45		1	579A	1
		4	1	RF
315T3509-46		1	582A	1
		4	5	RF
315T3509-49		4	205	1
315T3509-50		4	210	1
315T3509-71		1	582B	1
		4	1A	RF
315T3509-72		1	582C	1
		4	5A	RF
315T3509-73		4	205A	1
315T3509-74		4	210A	1
315T3509-93		1	582D	1
		4	1B	RF
315T3509-94		1	582E	1
		4	5B	RF
315T3509-95		4	207	1
315T3509-96		4	212	1
315T3509-99		1	582K	1
		4	1E	RF

78-31-22

ILLUSTRATED PARTS LIST
 01.1 Page 1051
 Nov 01/03

PART NUMBER	AIRLINE PART NO.	FIG.	ITEM	TTL REQ
315T3511-3		1	549A	6
		7	689	6
315T3511-4		1	558A	6
		7	698	6
315T3511-5		1	549B	6
315T3517-1		1	555	12
		7	695	12
315T3517-5		1	555A	12
315T3518-1		1	615C	5
315T3519-1		1	80	1
		7	325	1
315T3519-2		1	77	1
		7	320	1
315T3520-5		1	114	1
		7	335	1
315T3520-6		1	111	1
		7	330	1
315T3521-1		1	615	5
315T3521-14		7	866	5
315T3522-1		5	745A	5
315T3522-13		5	745	5
315T3522-14		5	715	5
315T3522-15		5	750	1
315T3522-16		5	710	1
315T3522-2		5	715A	5
315T3522-21		5	765B	5
315T3522-22		5	740B	5
315T3522-23		5	770B	1
315T3522-24		5	735B	1
315T3522-25		5	745B	5
		6	20	5
315T3522-26		5	715B	5
		6	75	5

78-31-22

 ILLUSTRATED PARTS LIST
 01.1 Page 1052
 Nov 01/03

PART NUMBER	AIRLINE PART NO.	FIG.	ITEM	TTL REQ
315T3522-27		5	750B	1
315T3522-27		6	25	1
315T3522-28		5	710B	1
		6	80	1
315T3522-29		5	765C	5
		6	65	5
315T3522-3		5	750A	1
315T3522-30		5	740C	5
		6	125	5
315T3522-31		5	770C	1
		6	70	1
315T3522-32		5	735C	1
		6	130	1
315T3522-33		5	745F	5
		6	20A	5
315T3522-34		5	715F	5
		6	75A	5
315T3522-35		5	750F	1
		6	25A	1
315T3522-36		5	710F	1
		6	80A	1
315T3522-37		5	765D	5
		6	65A	5
315T3522-38		5	740D	5
		6	125A	5
315T3522-39		6	20B	5
315T3522-4		5	710A	1
315T3522-40		6	75B	5
315T3522-41		6	65B	5
315T3522-42		6	125B	5
315T3522-43		6	20C	5
315T3522-44		6	75C	5
315T3522-45		6	70A	1

78-31-22

ILLUSTRATED PARTS LIST
 01.1 Page 1053
 Nov 01/03

PART NUMBER	AIRLINE PART NO.	FIG.	ITEM	TTL REQ
315T3522-46		6	130A	1
315T3522-47		6	25B	1
315T3522-48		6	80B	1
315T3522-5		5	765A	5
315T3522-53		6	20E	5
315T3522-54		6	75E	5
315T3522-55		6	25D	1
315T3522-56		6	80D	1
315T3522-57		6	65C	5
315T3522-58		6	125C	5
315T3522-59		6	70B	1
315T3522-6		5	740A	5
315T3522-60		6	130B	1
315T3522-7		5	770A	1
315T3522-8		5	735A	1
315T3523-41		5	595	1
315T3523-42		5	600	1
315T3523-45		5	630	1
315T3523-46		5	635	1
315T3523-47		5	640	1
315T3524-1		5	670	1
315T3524-2		5	665	1
315T3524-5		5	670A	1
315T3524-6		5	665A	1
315T3524-7		5	670C	1
315T3524-8		5	665C	1
315T3525-1		5	655A	1
315T3525-2		5	660A	1
315T3525-5		5	655	1
315T3525-6		5	660	1
315T3526-1		5	410	6
315T3526-10		5	155	1
315T3526-11		5	65	1
315T3526-12		5	70	1
315T3526-13		5	100	5
315T3526-14		5	110	4
315T3526-15		5	350	5
315T3526-16		5	355	5
315T3526-17		5	285	1
315T3526-18		5	300	12

78-31-22

 ILLUSTRATED PARTS LIST
 01.1 Page 1054
 Nov 01/03

PART NUMBER	AIRLINE PART NO.	FIG.	ITEM	TTL REQ
315T3526-2		5	405	6
315T3526-21		5	340	1
315T3526-22		5	345	1
315T3526-23		5	320	6
315T3526-24		5	325	6
315T3526-25		5	390	3
315T3526-26		5	265	1
315T3526-29		5	291	1
315T3526-3		5	460	5
315T3526-30		5	293	1
315T3526-31		5	283	1
315T3526-32		5	284	1
315T3526-33		5	837	10
		5	846	4
		5	900	4
315T3526-34		5	830	10
315T3526-35		5	839	4
315T3526-36		5	893	4
315T3526-37		5	866	1
315T3526-38		5	875	1
315T3526-39		5	848	5
315T3526-4		5	465	5
315T3526-40		5	884	5
315T3526-41		5	821	2
315T3526-47		5	855	5
315T3526-48		5	891	5
315T3526-49		5	828	2
315T3526-5		5	445	5
315T3526-50		5	873	1
		5	882	1
315T3526-57		5	940	1
315T3526-58		5	920	1
315T3526-59		5	80A	1
315T3526-6		5	450	5
315T3526-60		5	130A	1
315T3526-61		5	150A	1
315T3526-62		5	155A	1
315T3526-63		5	65A	1
315T3526-64		5	70A	1
315T3526-65		5	100A	5
315T3526-66		5	110A	4
315T3526-67		5	857A	1
315T3526-68		5	812D	1
315T3526-69		5	848B	5
315T3526-7		5	80	1

78-31-22

ILLUSTRATED PARTS LIST
 01.1 Page 1055
 Nov 01/03

PART NUMBER	AIRLINE PART NO.	FIG.	ITEM	TTL REQ
315T3526-70		5	884B	5
315T3526-71		5	855A	5
315T3526-72		5	891A	5
315T3526-73		5	265A	1
315T3526-75		5	80B	1
315T3526-76		5	130B	1
315T3526-77		5	150B	1
315T3526-78		5	155B	1
315T3526-79		5	65B	1
315T3526-8		5	130	1
315T3526-80		5	70B	1
315T3526-81		5	300A	12
315T3526-83		5	291A	1
315T3526-84		5	293A	1
315T3526-85		5	405A	6
315T3526-86		5	410A	6
315T3526-87		5	265B	1
315T3526-88		5	267	1
315T3526-89		5	848D	5
315T3526-9		5	150	1
315T3526-90		5	884D	5
315T3527-1		5	495	5
315T3531-1		5	560	1
315T3531-2		5	565	1
315T3531-3		5	570	1
315T3531-4		5	575	1
315T3531-8		5	545	1
315T3539-2		1	546	12
315T3550-1		5	175	4
315T3550-10		5	260	1
315T3550-11		5	45	1
315T3550-12		5	50	1
315T3550-13		5	250	1
315T3550-14		5	205	4
315T3550-15		5	210	4

78-31-22

 ILLUSTRATED PARTS LIST
 01.1 Page 1056
 Nov 01/03

315T3500
 315T3001
 315T4026 DASH NUMBERS
 LIMITED

 **BOEING**
 COMPONENT
 MAINTENANCE MANUAL

PART NUMBER	AIRLINE PART NO.	FIG.	ITEM	TTL REQ
315T3550-2		5	165	5
315T3550-3		5	10	1
315T3550-4		5	15	1
315T3550-5		5	215	1
315T3550-6		5	220	1
315T3550-7		5	55	1
315T3550-8		5	60	1
315T3550-9		5	255	1
315T3556-5		1	448	1
		7	842	1
315T3556-6		1	377	1
315T3557-1		1	597	12
		7	722	12
315T3557-2		1	600	12
		7	723	12
315T3557-3		1	603	12
		7	724	12
315T3557-4		1	618	15
		7	728	15
315T3557-5		1	621	15
		7	731	15
315T3561-4		1	178	3
		7	435	3
315T3561-5		1	185	3
		7	450	3
315T3561-6		1	179	3
		7	435A	3
315T3561-7		1	186	3
		7	450A	3
315T3561-8		1	179A	3
		7	435B	3
315T3561-9		1	186A	3
		7	450B	3

78-31-22

ILLUSTRATED PARTS LIST
 01.1 Page 1057
 Nov 01/03

PART NUMBER	AIRLINE PART NO.	FIG.	ITEM	TTL REQ
315T3562-10		1	74A	1
		7	270	1
315T3562-15		1	102	4
		7	317	4
315T3562-3		1	166	3
		7	420	3
315T3562-4		1	155	3
		7	395	3
315T3562-5		1	196	3
		7	470	3
315T3562-5001		1	75	1
		7	275	1
315T3562-5002		1	76	1
		7	280	1
315T3562-5003		1	75A	1
		7	275A	1
315T3562-5004		1	76A	1
		7	280A	1
315T3562-5005		1	75B	1
		7	275B	1
315T3562-5006		1	76B	1
		7	280B	1
315T3562-5013		1	75C	1
		7	275C	1
315T3562-5014		1	76C	1
		7	280C	1
315T3562-5015		1	75D	1
		7	275D	1
315T3562-5016		1	76D	1
		7	280D	1
315T3562-5017		1	75E	1
		7	275E	1
315T3562-5018		1	76E	1
		7	280E	1
315T3562-9		1	71A	1
		7	265	1

78-31-22

ILLUSTRATED PARTS LIST
 01.1 Page 1058
 Nov 01/03

PART NUMBER	AIRLINE PART NO.	FIG.	ITEM	TTL REQ
315T3563-1		1	6	3
315T3563-2		1	12A	3
315T3563-3		1	11	3
315T3563-4		1	6A	3
		7	85	3
315T3563-5		1	21A	3
		7	120	3
315T3563-6		1	22	3
		7	125	3
315T3564-12		1	226	1
		7	515	1
315T3564-13		1	229	1
		7	518	1
315T3564-15		1	226A	1
		7	515A	1
315T3564-16		1	229A	1
		7	518A	1
315T3564-25		1	226D	1
		7	515B	1
315T3564-26		1	229D	1
		7	518B	1
315T3564-29		1	226E	1
		7	515C	1
315T3564-30		1	229E	1
		7	518C	1
315T3565-1		1	142	3
		7	370	3
315T3565-2		1	146	3
		7	380	3
315T3566-1		1	199	3
		7	475	3
315T3566-2		1	208	3
		7	490	3
315T3567-1		1	103	4
		7	350	4
315T3567-3		1	103A	4
		1	104	1
		7	350A	4
315T3572-1		1	519	1
		7	674	1
315T3572-10		1	459	1
315T3572-2		1	486	1
		7	662	1
315T3572-5		1	522	1
315T3572-6		1	489	1

78-31-22

ILLUSTRATED PARTS LIST
 01.1 Page 1059
 Nov 01/03

PART NUMBER	AIRLINE PART NO.	FIG.	ITEM	TTL REQ
315T3572-7		1	492A	1
		7	665	1
315T3572-8		1	459A	1
		7	653	1
315T3572-9		1	492	1
315T3574-1		1	139	1
		7	355	1
315T3574-2		1	141	1
		7	365	1
315T3575-1		1	211A	3
		7	495	3
315T3575-2		1	217	3
		7	503	3
315T3575-3		1	214	3
		7	500	3
315T3575-6		1	210A	3
		7	494A	3
315T3580-10		2	35	1
		3	55	1
		4	130	1
315T3580-11		2	40A	1
		3	10A	1
315T3580-11		4	85A	1
315T3580-12		2	5A	1
		3	15A	1
		4	90A	1
315T3580-13		2	70A	1
		3	50A	1
		4	125A	1
315T3580-14		2	35A	1
		3	55A	1
		4	130A	1
315T3580-15		2	40N	1
		3	10C	1
		4	85D	1

78-31-22

ILLUSTRATED PARTS LIST
 01.1 Page 1060
 Nov 01/03

315T3500
 315T3001
 315T4026 DASH NUMBERS
 LIMITED

 **BOEING**
 COMPONENT
 MAINTENANCE MANUAL

PART NUMBER	AIRLINE PART NO.	FIG.	ITEM	TTL REQ
315T3580-16		2	5N	1
		3	15C	1
		4	90D	1
315T3580-17		2	70B	1
		3	50B	1
		4	125B	1
315T3580-18		2	35B	1
		3	55B	1
		4	130B	1
315T3580-7		2	40	1
		3	10	1
		4	85	1
315T3580-8		2	5	1
		3	15	1
		4	90	1
315T3580-9		2	70	1
		3	50	1
		4	125	1
315T3581-1		2	95	1
		3	155	1
		4	155	1
315T3581-10		2	95C	1
		3	155B	1
		4	158	1
315T3581-11		2	75B	1
		3	135A	1
		3	138B	1
315T3581-12		4	135B	1
		2	75E	1
		3	138E	1
		4	135G	1

78-31-22

ILLUSTRATED PARTS LIST
 01.1 Page 1061
 Nov 01/03

PART NUMBER	AIRLINE PART NO.	FIG.	ITEM	TTL REQ
315T3581-13		2	75G	1
		3	138F	1
		4	135H	1
315T3581-3		2	75	1
		3	135	1
		4	135	1
315T3581-4		2	90	1
		3	150	1
		4	150	1
315T3581-5		2	75C	1
		3	138	1
		4	135D	1
315T3581-6		2	95A	1
		3	155C	1
		4	156	1
315T3581-7		2	75A	1
		3	135B	1
		3	138A	1
315T3581-8		4	135A	1
		2	95B	1
		3	155A	1
315T3583-1		4	157	1
		1	534	6
		2	130	1
315T3583-2		3	240	1
		4	255	1
		3	65	1
315T3584-1		4	10	1
		3	60A	1
		4	15A	1
315T3584-10		3	65C	1
		4	10C	1
		3	60C	1
315T3584-11		4	15D	1
		3	130A	1
		4	71	1
315T3584-12				
315T3584-13				

78-31-22

ILLUSTRATED PARTS LIST
 01.1 Page 1062
 Nov 01/03

PART NUMBER	AIRLINE PART NO.	FIG.	ITEM	TTL REQ
315T3584-14		3	120A	1
		4	81	1
315T3584-15		3	65F	1
		4	10F	1
315T3584-16		3	60F	1
		4	15G	1
315T3584-17		3	130B	1
		4	71A	1
315T3584-18		3	120B	1
		4	81B	1
315T3584-19		3	65G	1
		4	10G	1
315T3584-2		3	60	1
		4	15	1
315T3584-20		3	60G	1
		4	15H	1
315T3584-21		3	125A	1
		4	71B	1
315T3584-22		3	120C	1
		4	81C	1
315T3584-3		3	125	1
		4	65	1
315T3584-4		3	115	1
		4	75	1
315T3584-7		3	130	1
		4	70	1
315T3584-8		3	120	1
		4	80	1
315T3584-9		3	65A	1
		4	10A	1
315T3589-11		1	5N	1
		7	45	1
315T3589-12		1	5P	1
		7	50	1
315T3589-13		1	5Q	1
		7	55	1
315T3589-14		1	5R	1
		7	60	1
315T3589-15		1	5S	1
		7	65	1
315T3589-16		1	5T	1
		7	70	1

78-31-22

ILLUSTRATED PARTS LIST
 01.1 Page 1063
 Nov 01/03

PART NUMBER	AIRLINE PART NO.	FIG.	ITEM	TTL REQ
315T3589-17		1	5U	1
		7	75	1
315T3589-18		1	5V	1
		7	80	1
315T3589-19		1	5W	1
		7	65A	1
315T3589-20		1	5X	1
		7	70A	1
315T3589-21		1	5Y	1
		7	75A	1
315T3589-22		1	5Z	1
		7	80A	1
315T3592-1		2	145	1
		3	255	1
		4	270	1
315T3592-2		2	175	1
		3	285	1
		4	300	1
315T3592-3		2	145A	1
		3	255B	1
		4	270A	1
315T3592-4		2	145B	1
		3	255C	1
		4	270B	1
315T3592-5		2	145C	1
		3	255D	1
		4	270C	1
315T3592-6		2	180	1
		3	290	1
		4	305	1
315T3593-1		2	95M	1
		3	155D	1
		4	159	1
315T3593-2		2	95L	1
		3	155H	2
		4	159A	1

78-31-22

ILLUSTRATED PARTS LIST
 01.1 Page 1064
 Nov 01/03

315T3500
 315T3001
 315T4026 DASH NUMBERS
 LIMITED

 **BOEING**
 COMPONENT
 MAINTENANCE MANUAL

PART NUMBER	AIRLINE PART NO.	FIG.	ITEM	TTL REQ
315T3593-3		2	140	1
		3	250	1
		4	265	1
315T3593-4		2	110	2
		3	220	2
		4	235	2
315T3593-5		1	546B	12
		7	686	12
315T3593-6		1	546C	12
		2	140A	1
315T3593-7		3	250A	1
		4	265A	1
315T4026-17		1	1F	RF
315T4026-18		1	2E	RF
315T4026-19		1	1G	RF
315T4026-20		1	2F	RF
315T4026-21		1	1H	RF
315T4026-22		1	2G	RF
315T4026-23		1	1J	RF
315T4026-24		1	2H	RF
315T4027-1		1	141H	1
		1	800	1
315T4027-2		7	366	1
		1	141P	1
315T4027-2		1	810	1
		7	368	1
315T4027-3		1	141X	1
		1	820	1
315T4027-4		7	369M	1
		1	141L	1
315T4534-1		1	805	1
		7	367	1
315T4534-2		5	173	4
		5	165A	5

78-31-22

ILLUSTRATED PARTS LIST
 01.1 Page 1065
 Nov 01/03

PART NUMBER	AIRLINE PART NO.	FIG.	ITEM	TTL REQ
315T4534-3		5	9	1
315T4534-4		5	9J	1
315T4534-5		5	214	1
315T4534-6		5	214J	1
43600-02		1	513	3
		7	671	3
62547-5-4		5	645	16
654T0322-10		1	57Z	1
		7	180B	1
654T0322-11		1	57W	1
		7	185B	1
654T0322-12		1	24L	1
		7	135D	1
654T0322-13		1	43L	1
		7	130D	1
66014-10		1	368	3
		1	439	3
		7	623	6
66014-5		1	108	12
		5	95	4
		5	125	16
		5	145	4
		5	280A	2
		5	289	2
		5	335	24
		5	650	16
		7	345	12
66014-6		1	191	27
		1	362	7
		1	433	7
		1	465	1
		1	477	2
		1	498	1
		1	510	2
		2	25	4
		2	60	4

78-31-22

 ILLUSTRATED PARTS LIST
 01.1 Page 1066
 Nov 01/03

PART NUMBER	AIRLINE PART NO.	FIG.	ITEM	TTL REQ
66014-6		2	85	4
		3	40	4
		3	100	4
		3	145	4
		4	55	4
		4	115	4
		4	145	4
		5	385	60
		5	396	12
		5	400	18
		5	440	48
		5	490	20
		5	505	30
		5	555	94
		5	628	2
		5	811	3
		7	460	27
		7	617	14
		7	638	2
		7	644	4
	66014-8		1	91
		1	101	4
		1	126	4
		1	138	6
		1	169	9
		1	300	14
		1	341	7
		1	365	2
		1	412	7
		1	436	2
		7	295	18
		7	415	9
		7	575	14
		7	608	18
66796A1032		1	40A	4
		1	56A	4
66796B1032		1	40	4
		1	56	4
67832AS6		1	543	6
		7	683	6

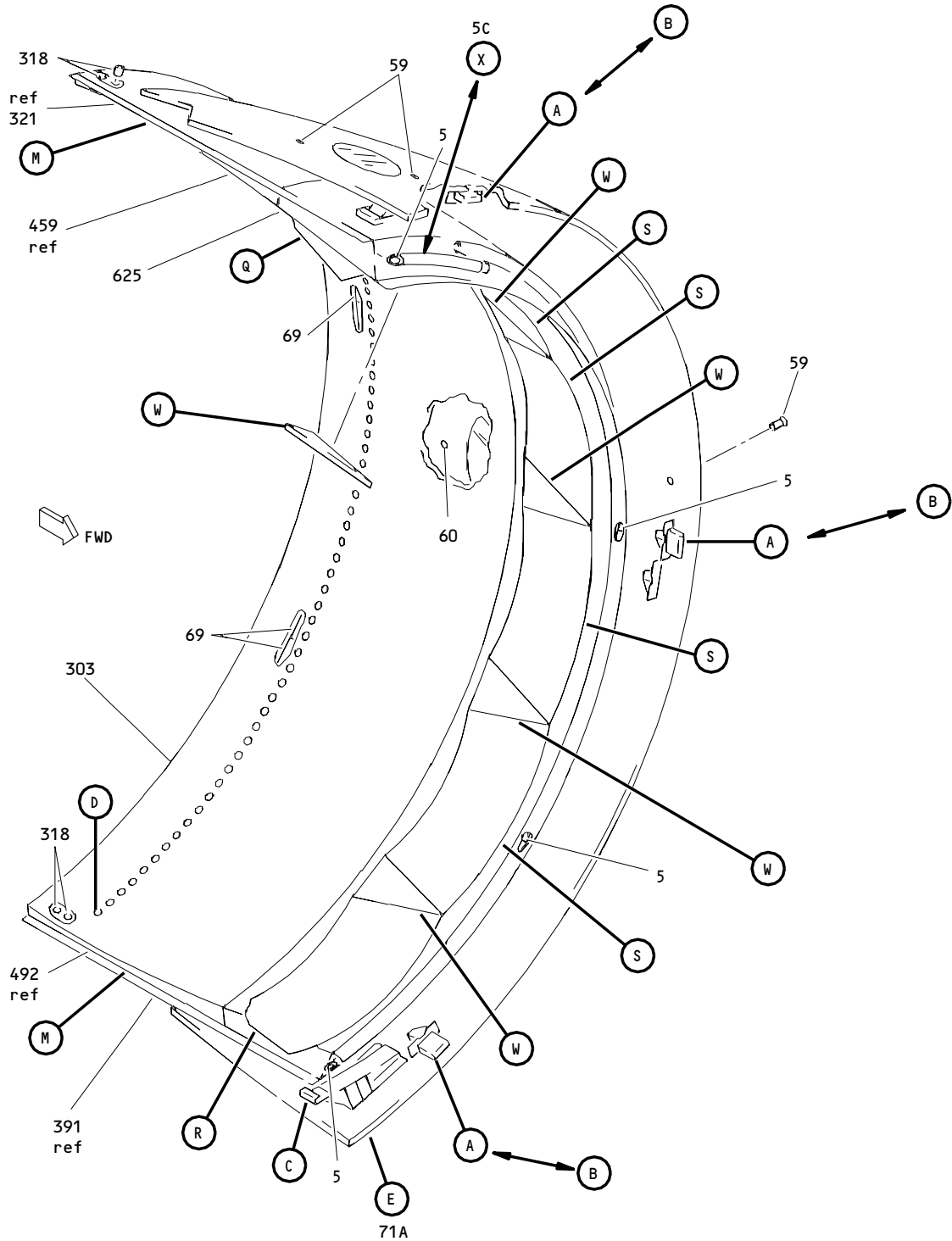
78-31-22

ILLUSTRATED PARTS LIST
 01.1 Page 1067
 Nov 01/03

PART NUMBER	AIRLINE PART NO.	FIG.	ITEM	TTL REQ
67832AS624		1	543	6
		7	683	6
9NS202101SE048		1	273	14
		7	557	14
97E02		1	10A	6
97E02		5	8J	9
		5	35	9
		5	200	32
		5	213N	10
		5	245	10
		5	280	2
		5	315	12
		5	425	12
		5	525	10
		5	625	86
		7	100	6
97E48		1	273	14
		7	557	14
97E82		1	301	4
		7	578	4

78-31-22

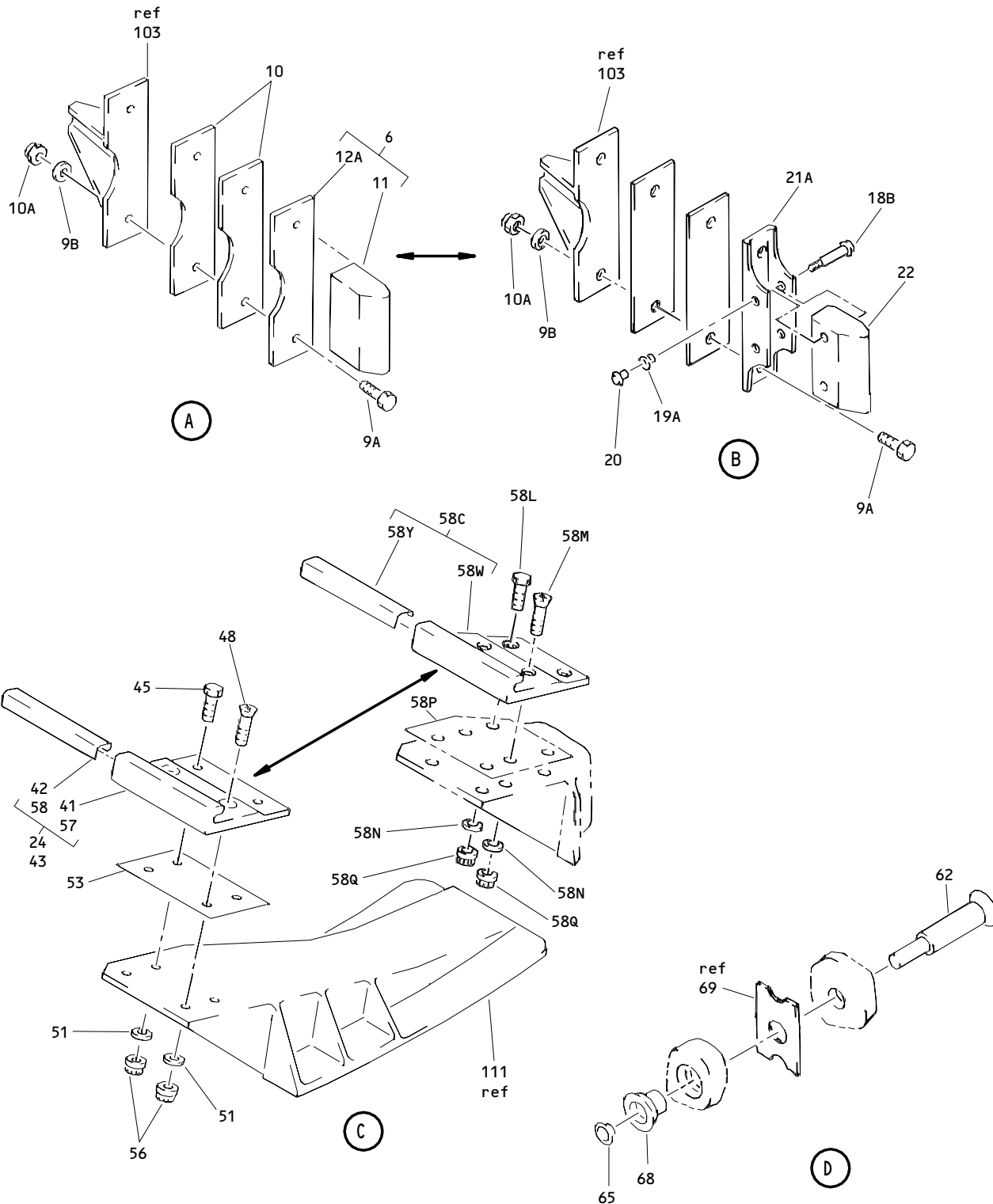
ILLUSTRATED PARTS LIST
 01.1 Page 1068
 Nov 01/03



Thrust Reverser Sleeve Assembly
Figure 1 (Sheet 1)

78-31-22

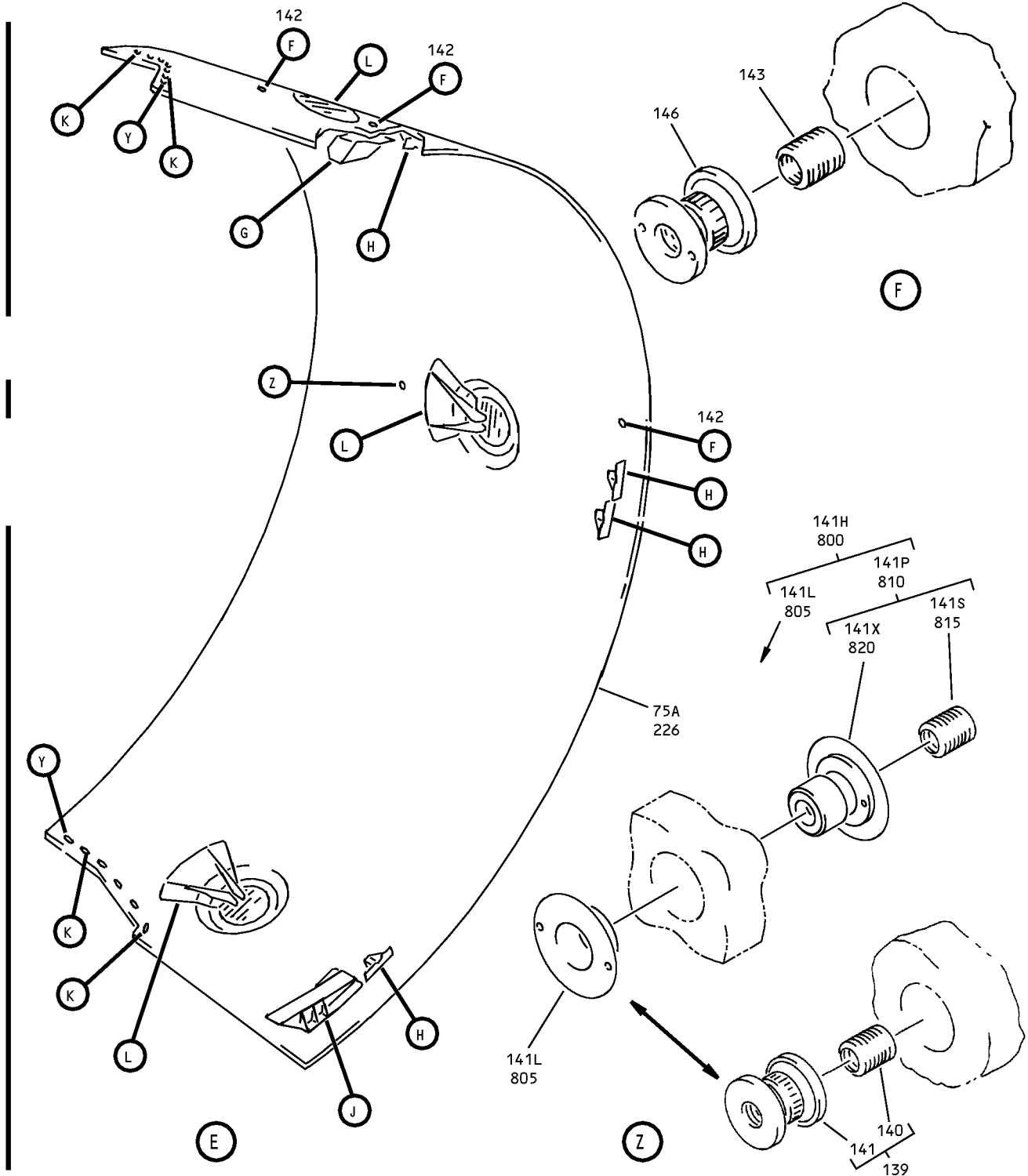
ILLUSTRATED PARTS LIST
01.1 Page 1069
Nov 01/03



Thrust Reverser Sleeve Assembly
 Figure 1 (Sheet 2)

78-31-22

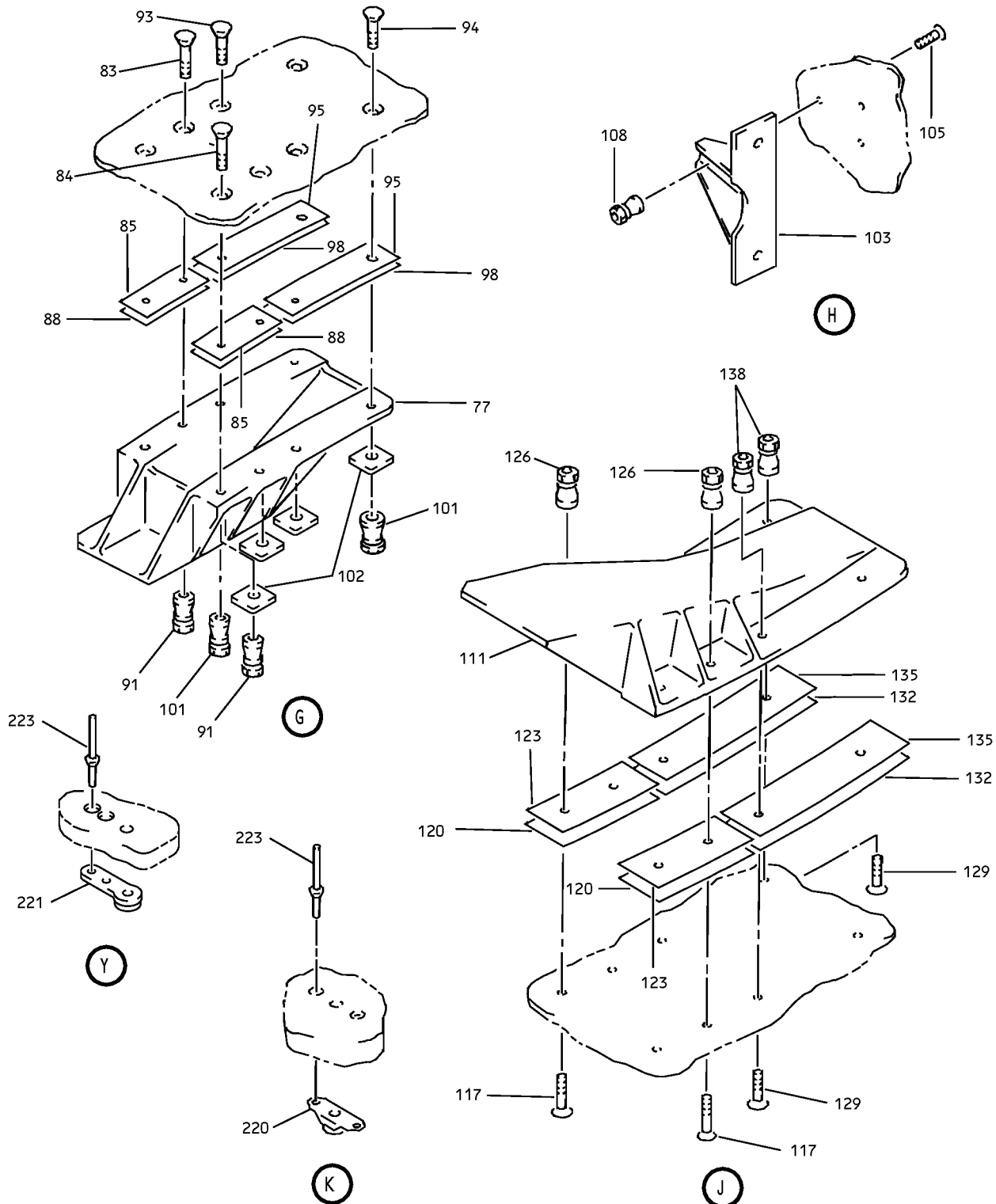
ILLUSTRATED PARTS LIST
 01.1 Page 1070
 Nov 01/03



Thrust Reverser Sleeve Assembly
 Figure 1 (Sheet 3)

78-31-22

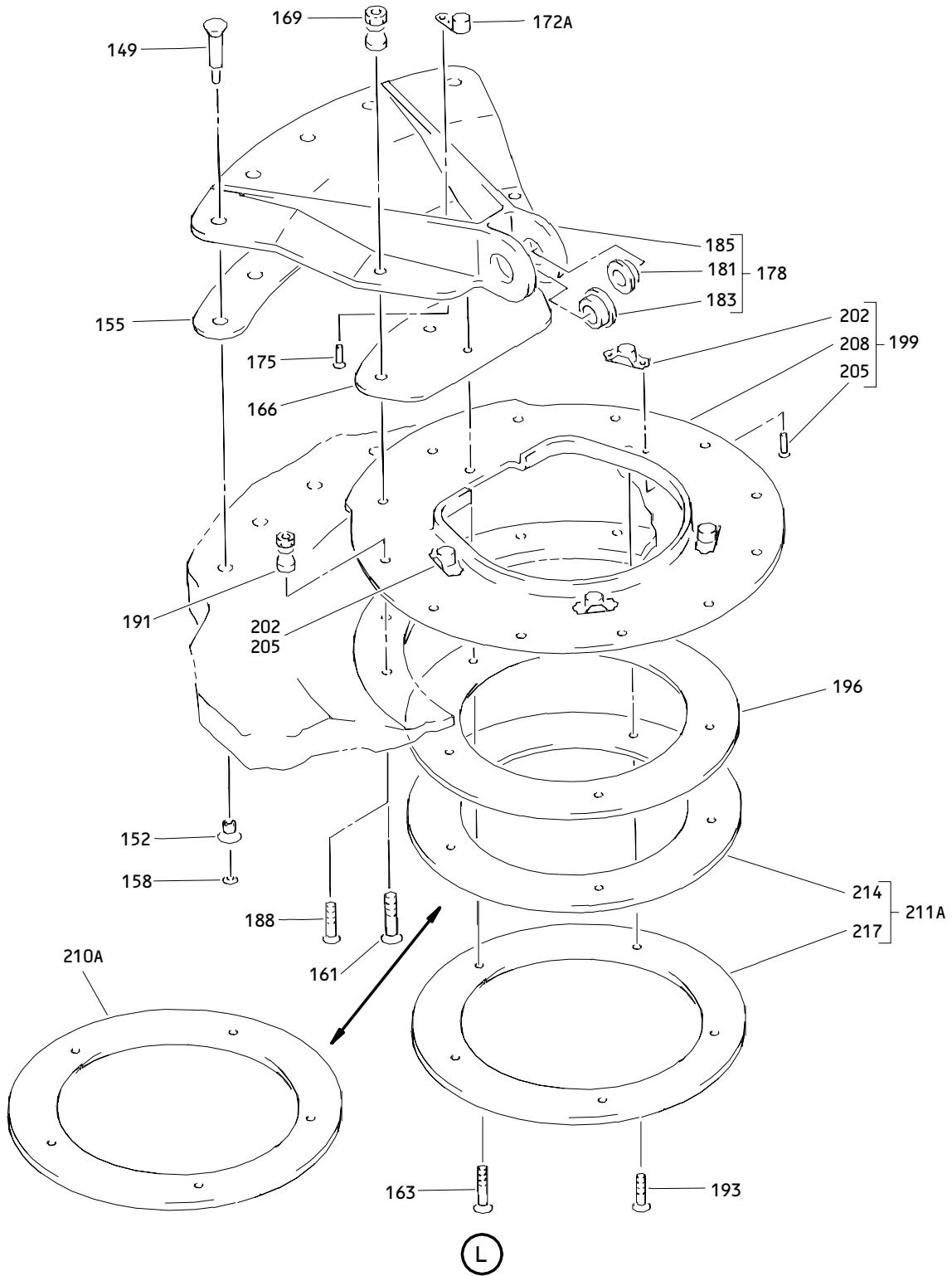
ILLUSTRATED PARTS LIST
 01.1 Page 1071
 Nov 01/03



Thrust Reverser Sleeve Assembly
 Figure 1 (Sheet 4)

78-31-22

ILLUSTRATED PARTS LIST
 01.1 Page 1072
 Nov 01/03



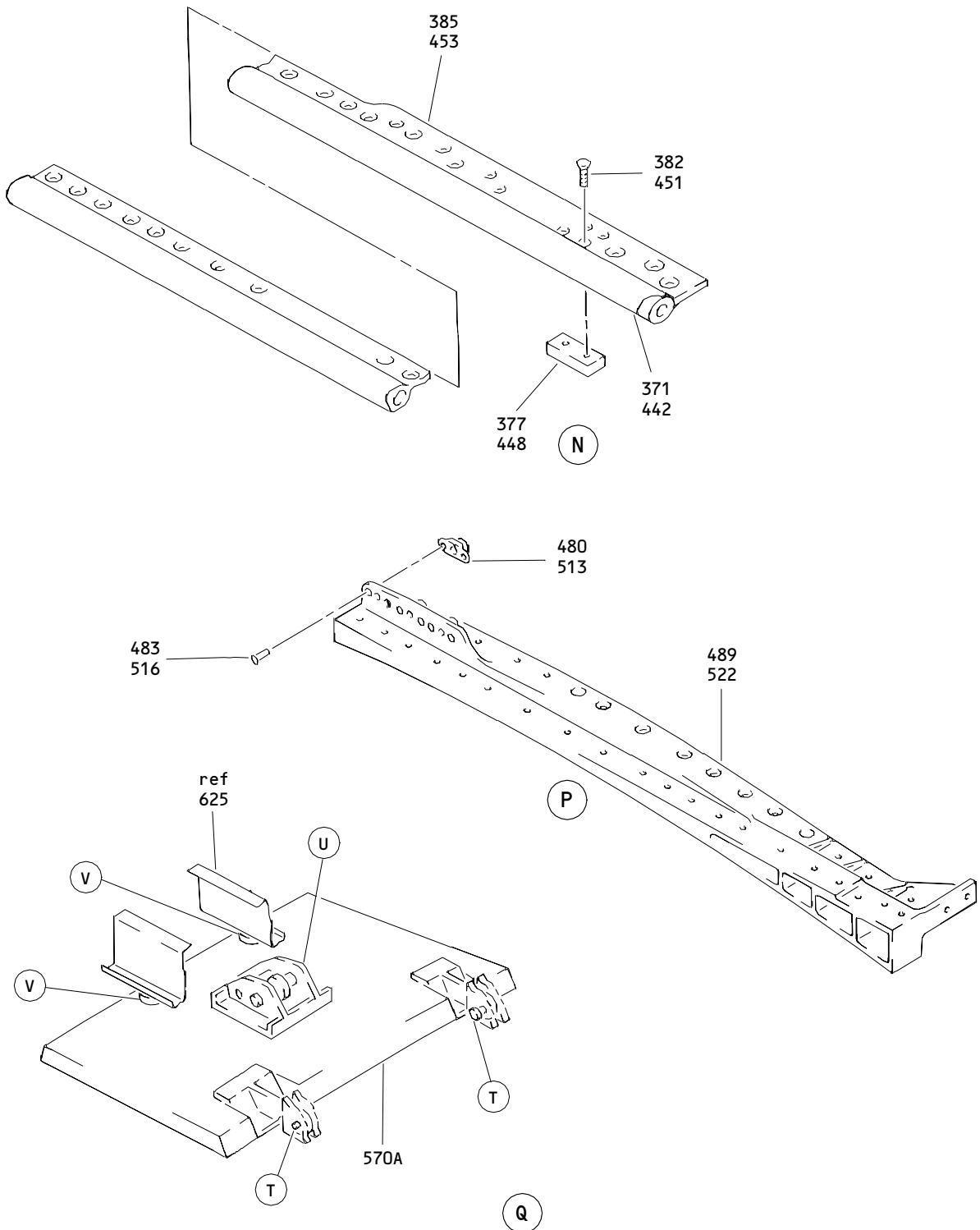
Sleeve Assembly-Thrust Reverser
Figure 1 (Sheet 5)

78-31-22

ILLUSTRATED PARTS LIST
01.1 Page 1073
Nov 01/03

315T3500
315T3001
315T4026 DASH NUMBERS
LIMITED

BOEING
COMPONENT
MAINTENANCE MANUAL

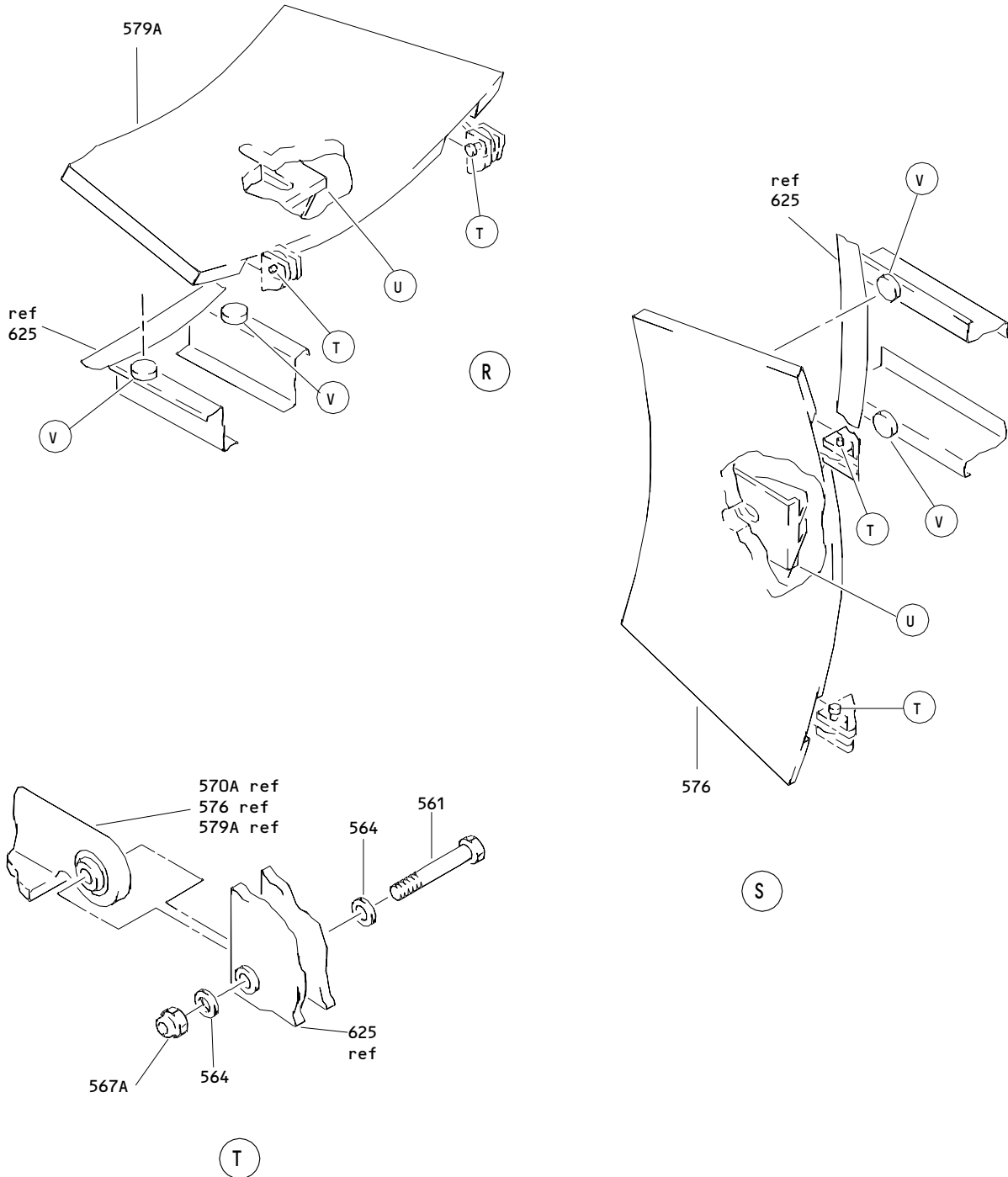


Thrust Reverser Sleeve Assembly
Figure 1 (Sheet 7)

78-31-22

ILLUSTRATED PARTS LIST
01.1 Page 1075
Nov 01/03

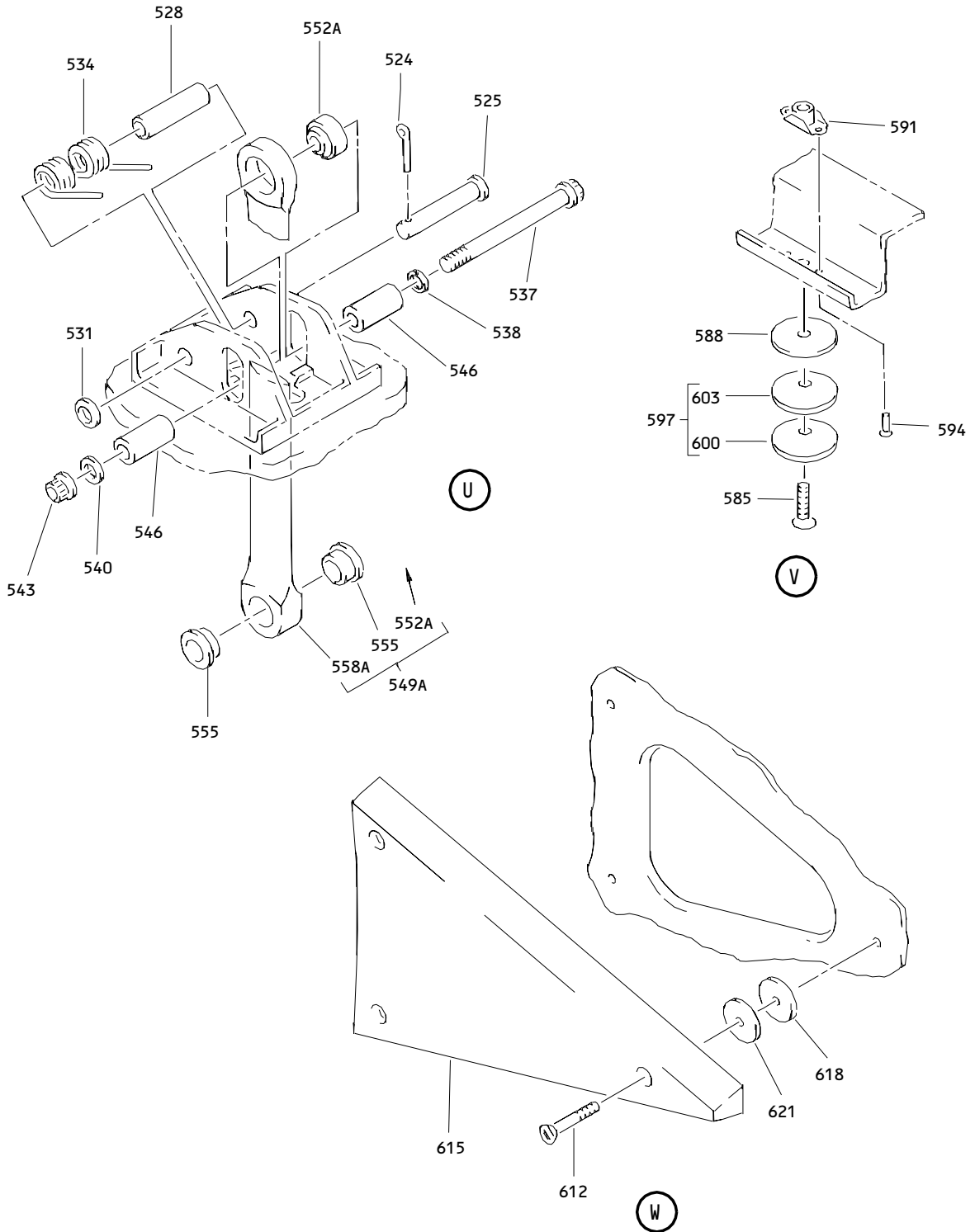
T58455



Thrust Reverser Sleeve Assembly
 Figure 1 (Sheet 8)

78-31-22

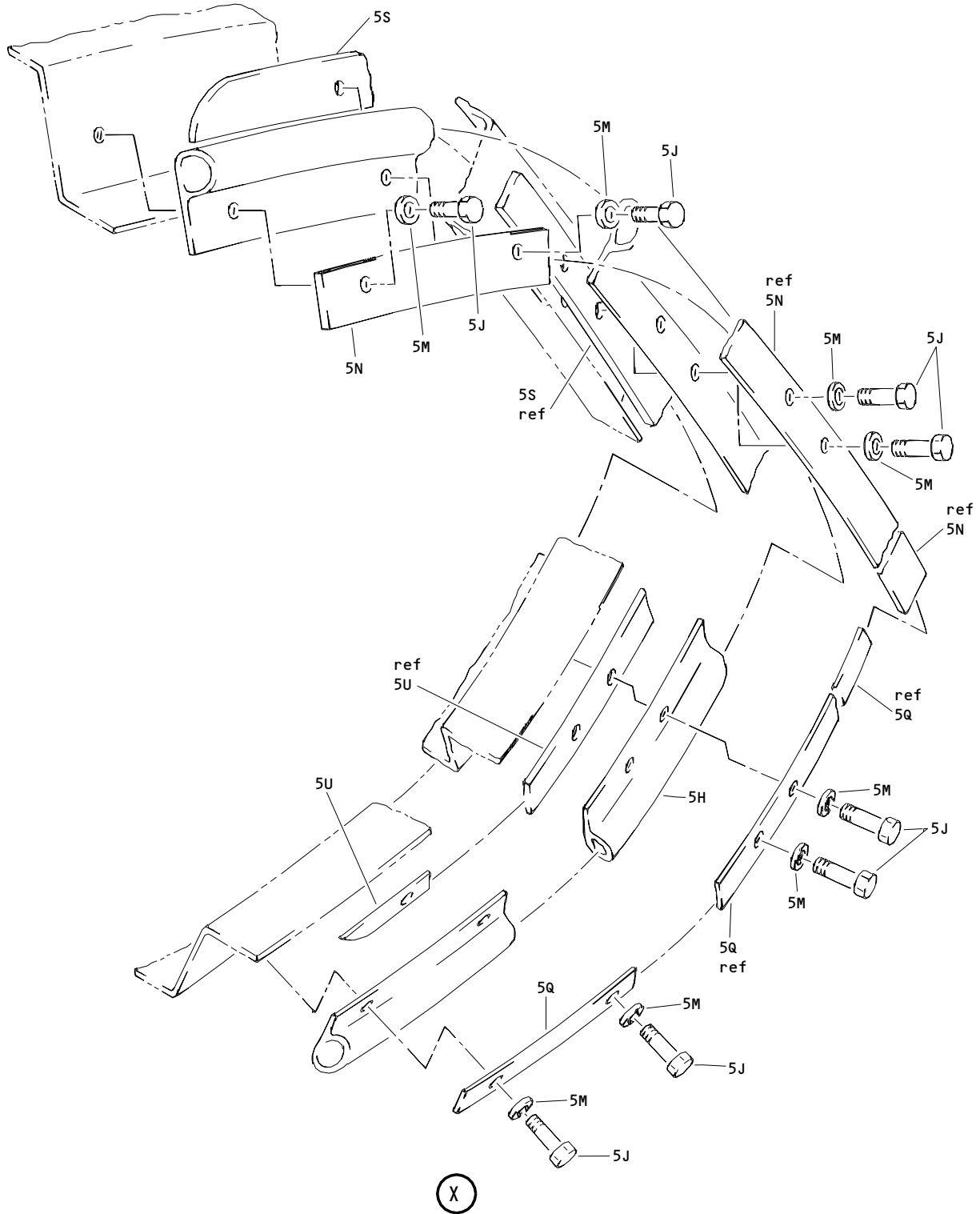
ILLUSTRATED PARTS LIST
 01.1 Page 1076
 Nov 01/03



Thrust Reverser Sleeve Assembly
Figure 1 (Sheet 9)

78-31-22

ILLUSTRATED PARTS LIST
01.1 Page 1077
Nov 01/03



Thrust Reverser Sleeve Assembly
 Figure 1 (Sheet 10)

78-31-22

ILLUSTRATED PARTS LIST
 01.1 Page 1078
 Nov 01/03

315T3500
 315T3001
 315T4026 DASH NUMBERS
 LIMITED

 **BOEING**
 COMPONENT
 MAINTENANCE MANUAL

FIG. & ITEM	PART NO.	AIRLINE PART NUMBER	NOMENCLATURE 1234567	EFF CODE	QTY PER ASSY
01- -1	315T3500-1		SLEEVE ASSY-THRUST REVERSER (PRE SB 767-78A0089)	A	RF
-1A	315T3500-21		SLEEVE ASSY-THRUST REVERSER (PRE SB 767-78A0089)	C	RF
-1C	315T3001-39		SLEEVE ASSY-THRUST REVERSER (REWORK)	F	RF
-1D	315T3500-23		SLEEVE ASSY-THRUST REVERSER (PRE SB 767-78A0089) (FOR DETAILS SEE FIG. 7)	J	RF
-1E	315T3500-27		SLEEVE ASSY-THRUST REVERSER (PRE SB 767-78A0089)	E	RF
-1F	315T4026-17		SLEEVE ASSY-THRUST REVERSER (POST SB 767-78A0089)	L	RF
-1G	315T4026-19		SLEEVE ASSY-THRUST REVERSER (POST SB 767-78A0089)	M	RF
-1H	315T4026-21		SLEEVE ASSY-THRUST REVERSER (POST SB 767-78A0089)	N	RF
-1J	315T4026-23		SLEEVE ASSY-THRUST REVERSER (POST SB 767-78A0089)	P	RF
-2	315T3500-2		SLEEVE ASSY-THRUST REVERSER (PRE SB 767-78A0089)	B	RF
-2A	315T3500-22		SLEEVE ASSY-THRUST REVERSER (PRE SB 767-78A0089)	D	RF
-2B	315T3001-40		SLEEVE ASSY-THRUST REVERSER (REWORK)	H	RF
-2C	315T3500-24		SLEEVE ASSY-THRUST REVERSER (PRE SB 767-78A0089) (FOR DETAILS SEE FIG. 7)	K	RF
-2D	315T3500-28		SLEEVE ASSY-THRUST REVERSER (PRE SB 767-78A0089)	G	RF
-2E	315T4026-18		SLEEVE ASSY-THRUST REVERSER (POST SB 767-78A0089)	Q	RF
-2F	315T4026-20		SLEEVE ASSY-THRUST REVERSER (POST SB 767-78A0089)	R	RF
-2G	315T4026-22		SLEEVE ASSY-THRUST REVERSER (POST SB 767-78A0089)	S	RF
-2H	315T4026-24		SLEEVE ASSY-THRUST REVERSER (POST SB 767-78A0089)	T	RF
-2L	315T3500-5035		.SLEEVE ASSY- (LIMITED)	C	1
-2M	315T3500-5037		.SLEEVE ASSY	E	1
-2N	315T3500-5041		.SLEEVE ASSY- (LIMITED)	C	1
-2P	315T3500-5043		.SLEEVE ASSY- (LIMITED)	C	1

78-31-22

ILLUSTRATED PARTS LIST
 01.1 Page 1079
 Nov 01/03

FIG. & ITEM	PART NO.	AIRLINE PART NUMBER	NOMENCLATURE 1234567	EFF CODE	QTY PER ASSY
01- -2Q	315T3500-5036		.SLEEVE ASSY- (LIMITED)	D	1
-2R	315T3500-5038		.SLEEVE ASSY	G	1
-2S	315T3500-5042		.SLEEVE ASSY- (LIMITED)	D	1
-2T	315T3500-5044		.SLEEVE ASSY- (LIMITED)	D	1
-2U	315T3500-5045		DELETED		
-3	315T3500-2		DELETED		
-3A	315T3500-22		DELETED		
-3C	315T3001-40		DELETED		
-3D	315T3500-24		DELETED		
-3J	315T3500-5004		.SLEEVE ASSY- (REPLD BY ITEMS 3K, 3M)	B	1
-3K	315T3500-5002		.SLEEVE ASSY- (REPLS ITEM 3J) (REPLD BY ITEM 3M)	B	1
-3M	315T3500-5006		.SLEEVE ASSY- (REPLS ITEMS 3J, 3K)	B	1
-3N	315T3500-5011		.SLEEVE ASSY-(REWORK) (REPLS ITEM 3P) (REPLD BY ITEM 3Q)	A	1
-3P	315T3500-5013		.SLEEVE ASSY-(REWORK) (REPLD BY ITEMS 3N, 3Q)	A	1
-3Q	315T3500-5015		.SLEEVE ASSY- (REPLS ITEMS 3N, 3P)	A	1
-3R	315T3500-5023		.SLEEVE ASSY- (LIMITED)	C	1
-3S	315T3500-5024		.SLEEVE ASSY- (LIMITED)	D	1
-3U	BCREF7248		.SLEEVE ASSY- (REWORK DWG 315T3500-5015) (P/N UNASSIGNED)	F	1
-3W	BCREF7249		.SLEEVE ASSY- (REWORK DWG 315T3500-5006) (P/N UNASSIGNED)	H	1
-3X	315T3500-5025		.SLEEVE ASSY- (LIMITED)	C	1
-3Y	315T3500-5026		.SLEEVE ASSY- (LIMITED)	D	1
-3Z	315T3500-5029		.SLEEVE ASSY- (LIMITED)	C	1

78-31-22

 ILLUSTRATED PARTS LIST
 01.1 Page 1080
 Nov 01/03

FIG. & ITEM	PART NO.	AIRLINE PART NUMBER	NOMENCLATURE 1234567	EFF CODE	QTY PER ASSY
01- -4E	315T3500-5030		.SLEEVE ASSY- (LIMITED)	D	1
-4F	315T3500-5033		.SLEEVE ASSY- (LIMITED)	C	1
-4G	315T3500-5034		.SLEEVE ASSY- (LIMITED)	D	1
-4H	315T3500-5046		DELETED		
5	315T3500-12		..SPLICE- (USED ON ITEMS 3J, 3P)	A,B	4
5C	315T3504-3		..SEAL INSTL-DIAPH (USED ON ITEMS 3N, 3Q, 3U)	A,C,E ,F	1
-5D	315T3504-4		..SEAL INSTL-DIAPH (USED ON ITEMS 3K, 3M, 3W)	B,D,G ,H	1
5H	315T3504-5		...SEAL- (MFD FROM RUBBER SECTION BAC1530-6 X 129.0 IN.)	A-H	1
5J	BACB3ONE3-7		...BOLT	A-H	37
5M	AN960KD10L		...WASHER	A-H	37
5N	315T3589-11		...RETAINER	A,C,E ,F	1
-5P	315T3589-12		...RETAINER	B,D,G ,H	1
5Q	315T3589-13		...RETAINER	A,C,E ,F	1
-5R	315T3589-14		...RETAINER	B,D,G ,H	1
5S	315T3589-15		...SHIM- (LIMITED)	A,C,E ,F	1
-5T	315T3589-16		...SHIM- (LIMITED)	B,D,G ,H	1
5U	315T3589-17		...SHIM- (LIMITED)	A,C,E ,F	1
-5V	315T3589-18		...SHIM- (LIMITED)	B,D,G ,H	1
-5W	315T3589-19		...SHIM- (LIMITED)	A,C,E ,F	1
-5X	315T3589-20		...SHIM- (LIMITED)	B,D,G ,H	1
-5Y	315T3589-21		...SHIM- (LIMITED)	A,C,E ,F	1
-5Z	315T3589-22		...SHIM- (LIMITED)	B,D,G ,H	1

78-31-22

ILLUSTRATED PARTS LIST
 01.1 Page 1080A
 Nov 01/03

FIG. & ITEM	PART NO.	AIRLINE PART NUMBER	NOMENCLATURE 1234567	EFF CODE	QTY PER ASSY
01-6	315T3563-1		..PANEL ASSY-FWD OUTER COWL BUMPER (USED ON ITEMS 3J, 3P)	A,B	3
-6A	315T3563-4		..PANEL ASSY-FWD OUTER COWL BUMPER (USED ON ITEMS 3K, 3M, 3N, 3Q) ATTACHING PARTS	A-H	3
9A	BACB30NM3C4		..BOLT	A-H	6
9B	AN960-10L		..WASHER	A-H	6
10	BACS40R10D40F		..SHIM	A-H	6
10A	BRH10C3M		..NUT- (V52828) (SPEC BACN10JC3CM) (OPT T6C1032JM (V11815)) (OPT 97E02 (V80539)) (OPT 109LH9075-3W (V72962)) (OPT VN303D02 (V92215)) (OPT NS202101SE02 (V80539)) (OPT H01-3BAC (V15653)) -----*	A-H	6
11	315T3563-3		...BUMPER- (USED ON ITEM 6)	A,B	1
12A	315T3563-2		...BASEPLATE- (USED ON ITEM 6)	A,B	1
18B	2ASPPPD613		...PIN- (V17446) (USED ON ITEM 6A)	A-H	2

78-31-22

 ILLUSTRATED PARTS LIST
 01.1 Page 1080B
 Nov 01/03

315T3500
 315T3001
 315T4026 DASH NUMBERS
 LIMITED

 **BOEING**
 COMPONENT
 MAINTENANCE MANUAL

FIG. & ITEM	PART NO.	AIRLINE PART NUMBER	NOMENCLATURE 1234567	EFF CODE	QTY PER ASSY
01-19A	2ASPPSDT6		...SLEEVE- (V17446) (USED ON ITEM 6A)	A-H	2
20	ASPLC2AC6		...COLLAR-LOCK (V17446) (USED ON ITEM 6A)	A-H	2
21A	315T3563-5		...CHANNEL- (USED ON ITEM 6A)	A-H	1
22	315T3563-6		...BUMPER- (USED ON ITEM 6A)	A-H	1
24	315T3506-11		..SLIDER ASSY-AUX (OPT ITEMS 24A, 24C, 24D) (USED ON ITEMS 2T, 3S, 3Y, 4E, 4G)	D,H	1
-24A	315T3506-15		..SLIDER ASSY-AUX (OPT ITEMS 24, 24C, 24D) (USED ON ITEMS 2T, 3S, 3Y, 4E, 4G)	D,H	1
-24C	315T3506-25		..SLIDER ASSY-AUX (OPT ITEMS 24, 24A, 24D) (USED ON ITEMS 2T, 3S, 3Y, 4E, 4G)	D,H	1
-24D	315T3506-35		..SLIDER ASSY-AUX (315T3506-43 MAY REPLACE 315T3506-35 FOR JTD9D AND PW4000 ENGINE THRUST REVERSERS ONLY) (OPT ITEMS 24, 24A, 24C) (USED ON ITEMS 2T, 3S, 3Y, 4E, 4G)	D,H	1

78-31-22

ILLUSTRATED PARTS LIST
 01.1 Page 1080C
 Nov 01/03

FIG. & ITEM	PART NO.	AIRLINE PART NUMBER	NOMENCLATURE 1234567	EFF CODE	QTY PER ASSY
01- -24E	315T3506-35		..SLIDER ASSY-AUX (315T3506-43 MAY REPLACE 315T3506-35 FOR JTD9D AND PW4000 ENGINE THRUST REVERSERS ONLY) (OPT ITEM 24F) (USED ON ITEMS 2Q, 2S)	D,G	1
-24F	315T3506-43		..SLIDER ASSY-AUX (315T3506-43 MAY REPLACE 315T3506-35 FOR JTD9D AND PW4000 ENGINE THRUST REVERSERS ONLY) (OPT ITEM 24E) (USED ON ITEMS 2Q, 2S)	D	1
-24G	315T3506-11		..SLIDER ASSY-AUX (OPT ITEMS 24H, 24J, 24K) (PRE SB 767-78-0037)	B	1
-24H	315T3506-15		..SLIDER ASSY-AUX (OPT ITEMS 24G, 24J, 24K) (PRE SB 767-78-0037)	B	1
-24J	315T3506-25		..SLIDER ASSY-AUX (OPT ITEMS 24G, 24H, 24K) (PRE SB 767-78-0037)	B	1
-24K	315T3506-35		..SLIDER ASSY-AUX (OPT ITEMS 24G, 24H, 24J) (PRE SB 767-78-0037)	B	1

78-31-22

ILLUSTRATED PARTS LIST
01.1 Page 1080D
Nov 01/03

FIG. & ITEM	PART NO.	AIRLINE PART NUMBER	NOMENCLATURE 1234567	EFF CODE	QTY PER ASSY
01- -24L	654T0322-12		..SLIDER ASSY-AUX (POST SB 767-78-0037) ATTACHING PARTS	B	1
-28	BACB30NM3K6		..BOLT	B,D,G ,H	2
-31	BACB30MS3K8		..BOLT	B,D,G ,H	2
-34	AN960-10L		..WASHER	B,D,G ,H	4
-37	BACS40R20C30F		..SHIM	B,D,G ,H	AR
-40	BACN10GW3AS		..NUT- (OPT ITEM 40A)	B,D,G ,H	4
-40A	BACN10GW3A		..NUT- (OPT ITEM 40) -----*	B,D,G ,H	4
41	315T3506-13		...SLIDER- (USED ON ITEM 24)	B,D,H	1
-41A	315T3506-17		...SLIDER- (USED ON ITEM 24A)	B,D,H	1
-41C	315T3506-27		...SLIDER- (USED ON ITEM 24C)	B,D,H	1
-41D	315T3506-37		...SLIDER- (USED ON ITEMS 24D, 24E)	B,D,G ,H	1
-41E	315T3506-45		...SLIDER- (USED ON ITEM 24F)	D,G ,H	1
42	315T3506-3		...TAPE-RULON J (USED ON ITEMS 24, 24A, 24C)	B,D,H	1
-42B	315T3506-34		...TAPE-RULON J (USED ON ITEMS 24D, 24E, 24F)	B,D,G ,H	1
43	315T3506-12		..SLIDER ASSY-AUX (OPT ITEMS 43A, 43C, 43D) (USED ON ITEMS 3R, 3X, 3Z, 4F)	C,F	1

78-31-22

FIG. & ITEM	PART NO.	AIRLINE PART NUMBER	NOMENCLATURE 1234567	EFF CODE	QTY PER ASSY
01- -43A	315T3506-16		..SLIDER ASSY-AUX (OPT ITEMS 43, 43C, 43D)	C,F	1
-43C	315T3506-26		..SLIDER ASSY-AUX (OPT ITEMS 43, 43A, 43D)	C,F	1
-43D	315T3506-36		..SLIDER ASSY-AUX (315T3506-44 MAY REPLACE 315T3506-36 FOR JT9D AND PW4000 ENGINE THRUST REVERSERS ONLY) (OPT ITEMS 43, 43A, 43C)	C,F	1
-43E	315T3506-36		..SLIDER ASSY-AUX (315T3506-44 MAY REPLACE 315T3506-36 FOR JT9D AND PW4000 ENGINE THRUST REVERSERS ONLY) (OPT ITEM 43F) (USED ON ITEMS 2L, 2N)	C,E	1
-43F	315T3506-44		..SLIDER ASSY-AUX (315T3506-44 MAY REPLACE 315T3506-36 FOR JT9D AND PW4000 ENGINE THRUST REVERSERS ONLY) (OPT ITEM 43E) (USED ON ITEMS 2L, 2N)	C,E	1
-43G	315T3506-12		..SLIDER ASSY-AUX (OPT ITEMS 43H, 43J, 43K) (PRE SB 767-78-0037)	A	1
-43H	315T3506-16		..SLIDER ASSY-AUX (OPT ITEMS 43G, 43J, 43K) (PRE SB 767-78-0037)	A	1
-43J	315T3506-26		..SLIDER ASSY-AUX (OPT ITEMS 43G, 43H, 43K) (PRE SB 767-78-0037)	A	1
-43K	315T3506-36		..SLIDER ASSY-AUX (OPT ITEMS 43G, 43H, 43J) (PRE SB 767-78-0037)	A	1
-43L	654T0322-13		..SLIDER ASSY-AUX (POST SB 767-78-0037)	A	1

78-31-22

 ILLUSTRATED PARTS LIST
 01.1 Page 1080F
 Nov 01/03

FIG. & ITEM	PART NO.	AIRLINE PART NUMBER	NOMENCLATURE 1234567	EFF CODE	QTY PER ASSY
01-			ATTACHING PARTS		
45	BACB30NM3K6		..BOLT	A,C,E F	2
48	BACB30MS3K8		..BOLT	A,C,E F	2
51	AN960-10L		..WASHER	A,C,E F	4
53	BACS40R20C30F		..SHIM	A,C,E F	AR
56	BACN10GW3AS		..NUT- (OPT ITEM 56A)	A,C,E F	4
-56A	BACN10GW3A		..NUT- (OPT ITEM 56) -----*	A,C,E F	4
57	315T3506-14		...SLIDER- (USED ON ITEM 43)	A,C,F	1
-57A	315T3506-18		...SLIDER- (USED ON ITEM 43A)	A,C,F	1
-57C	315T3506-28		...SLIDER- (USED ON ITEM 43C)	A,C,F	1
-57D	315T3506-38		...SLIDER- (USED ON ITEMS 43D, 43E)	A,C,E F	1
-57E	315T3506-46		...SLIDER- (USED ON ITEM 43F)	C,E	1
-57U	315T3506-40		..SLIDER ASSY-AUX (OPT ITEM 57V) (PRE SB 767-78-0037)	B	1
-57V	315T3506-20		..SLIDER ASSY-AUX (OPT ITEM 57V) (PRE SB 767-78-0037)	B	1
-57W	654T0322-11		..SLIDER ASSY-AUX (POST SB 767-78-0037)	B	1
-57X	315T3506-39		..SLIDER ASSY-AUX (OPT ITEM 57Y) (PRE SB 767-78-0037)	A	1
-57Y	315T3506-29		..SLIDER ASSY-AUX (OPT ITEM 57X) (PRE SB 767-78-0037)	A	1
-57Z	654T0322-10		..SLIDER ASSY-AUX (POST SB 767-78-0037)	A	1

78-31-22

FIG. & ITEM	PART NO.	AIRLINE PART NUMBER	NOMENCLATURE 1234567	EFF CODE	QTY PER ASSY
01-58	315T3506-3		...TAPE-RULON J (USED ON ITEMS 43, 43A, 43C)	A,C,F	1
-58B	315T3506-34		...TAPE-RULON J (USED ON ITEMS 43D, 43E, 43F)	A,C,E,F	1
58C	315T3506-39		..SLIDER ASSY-AUX (USED ON ITEM 2N)	C	1
-58D	315T3506-39		..SLIDER ASSY-AUX (OPT ITEM 58K) (USED ON ITEMS 2L, 2P, 3R, 3X, 3Z, 4F)	C,E,F	1
-58F	315T3506-40		..SLIDER ASSY-AUX (USED ON ITEMS 2Q, 2S)	D,G	1
-58G	315T3506-40		..SLIDER ASSY-AUX (OPT ITEM 58J) (USED ON ITEMS 2T, 3S, 3Y, 4E, 4G)	D,H	1
-58J	315T3506-20		..SLIDER ASSY-AUX (OPT ITEM 58G) (USED ON ITEMS 2T, 3S, 3Y, 4E, 4G)	D,H	1
-58K	315T3506-29		..SLIDER ASSY-AUX (OPT ITEM 58D) (USED ON ITEMS 2L, 2P, 3R, 3X, 3Z, 4F) ATTACHING PARTS	C,E,F	1
58L	BACB30NM3K6		..BOLT	A-H	2
58M	BACB30MS3K8		..BOLT	A-H	4
58N	AN960-10L		..WASHER	A-H	6
58P	BACS40R20C30F		..SHIM	A-H	AR
58Q	BACN10GW3AS		..NUT- (OPT ITEM 58R)	A-H	6

78-31-22

 ILLUSTRATED PARTS LIST
 01.1 Page 1080H
 Nov 01/03

FIG. & ITEM	PART NO.	AIRLINE PART NUMBER	NOMENCLATURE 1234567	EFF CODE	QTY PER ASSY
01- -58R	BACN10GW3A		..NUT- (OPT ITEM 58Q) -----*	A-H	6
-58S	315T3506-22		...SLIDER- (USED ON ITEM 58J)	B,D,H	1
-58T	315T3506-31		...SLIDER- (USED ON ITEM 58K)	A,C,E ,F	1
-58U	315T3506-23		DELETED		
58V	315T3506-33		DELETED		
58W	315T3506-41		...SLIDER- (USED ON ITEMS 58C, 58D)	A,C,E ,F	1
-58X	315T3506-42		...SLIDER- (USED ON ITEMS 58F, 58G)	B,D,G ,H	1
58Y	315T3506-33		...TAPE-RULON J (USED ON ITEMS 58F, 58G)	A-H	1
-58Z	315T3506-23		...TAPE-RULON J (USED ON ITEM 58J)	B,D,H	1
59	BACB30LL7-2		..BOLT- (OPT ITEM 59C) (USED ON ITEMS 3R, 3S)	A-D,F ,H	3
-59B	BACB30VF7K2		..BOLT- (OPT ITEM 59D) (USED ON ITEMS 2L, 2N, 2P, 2Q, 2S, 2T, 3X, 3Y, 3Z, 4E, 4F, 4G)	C-E,G	3
-59C	AIC1195-7-2		..BOLT- (V06725) (OPT ITEM 59) (USED ON ITEMS 3R, 3S)	A-D,F ,H	3
-59D	AIC1195-7-2		..BOLT- (V06725) (OPT ITEM 59B) (USED ON ITEMS 2L, 2N, 2P, 2Q, 2S, 2T, 3X, 3Y, 3Z, 4E, 4F, 4G)	C-E,G	3

78-31-22

FIG. & ITEM	PART NO.	AIRLINE PART NUMBER	NOMENCLATURE 1234567	EFF CODE	QTY PER ASSY
01-60	BACB30LL8-2		..BOLT- (OPT ITEM 60A) (USED ON ITEMS 3R, 3S)	A-D,F ,H	1
-60A	AIC1195-8-2		..BOLT- (V06725) (OPT ITEM 60) (USED ON ITEMS 3R, 3S)	A-D,F ,H	1
-60B	BACB30VF8K2		..BOLT- (OPT ITEM 60C) (USED ON ITEMS 2L, 2N, 2P, 2Q, 2S, 2T, 3X, 3Y, 3Z, 4E, 4F, 4G)	C-E,G	1
-60C	AIC1195-8-2		..BOLT- (V06725) (OPT ITEM 60B) (USED ON ITEMS 2L, 2N, 2P, 2Q, 2S, 2T, 3X, 3Y, 3Z, 4E, 4F, 4G)	C-E,G	1
62	ASPF8E8-20AC		..PIN- (V17446)	A-H	79
65	ASPFSDT8		..SLEEVE- (V17446)	A-H	79
68	ASPLC2AC8		..COLLAR-LOCKING (V17446)	A-H	79
69	BACS40R12B480F		..SHIM	A-H	3
71A	315T3562-9		..PANEL ASSY-OUTER COWL	A,C,E ,F	1
-74A	315T3562-10		..PANEL ASSY-OUTER COWL	B,D,G ,H	1
-75	315T3562-5001		...PANEL ASSY- (REPLD BY ITEMS 75A, 75B, 75C, 75D, 75E)	A,C,E ,F	1

78-31-22

 ILLUSTRATED PARTS LIST
 01.1 Page 1080J
 Nov 01/03

FIG. & ITEM	PART NO.	AIRLINE PART NUMBER	NOMENCLATURE 1234567	EFF CODE	QTY PER ASSY
01-75A	315T3562-5003		...PANEL ASSY- (REPLS ITEM 75) (REPLD BY ITEMS 75B, 75C, 75D, 75E)	A,C,E ,F	1
-75B	315T3562-5005		...PANEL ASSY- (REPLS ITEMS 75, 75A) (REPLD BY ITEMS 75C, 75D, 75E)	A,C,E ,F	1
-75C	315T3562-5013		...PANEL ASSY- (REPLS ITEMS 75, 75A, 75B) (REPLD BY ITEMS 75D, 75E)	A,C,E ,F	1
-75D	315T3562-5015		...PANEL ASSY- (REPLS ITEMS 75, 75A, 75B, 75C) (REPLD BY ITEM 75E)	A,C,E ,F	1
-75E	315T3562-5017		...PANEL ASSY- (REPLS ITEMS 75, 75A, 75B, 75C, 75D)	A,C,E ,F	1
-76	315T3562-5002		...PANEL ASSY- (REPLD BY ITEMS 76A, 76B, 76C, 76D, 76E)	B,D,G ,H	1
-76A	315T3562-5004		...PANEL ASSY- (REPLS ITEM 76) (REPLD BY ITEMS 76B, 76C, 76D, 76E)	B,D,G ,H	1
-76B	315T3562-5006		...PANEL ASSY- (REPLS ITEMS 76, 76A) (REPLD BY ITEMS 76C, 76D, 76E)	B,D,G ,H	1
-76C	315T3562-5014		...PANEL ASSY- (REPLS ITEMS 76, 76A, 76B, 76C) (REPLD BY ITEMS 76D, 76E)	B,D,G ,H	1

78-31-22

FIG. & ITEM	PART NO.	AIRLINE PART NUMBER	NOMENCLATURE 1234567	EFF CODE	QTY PER ASSY
01- -76D	315T3562-5016		...PANEL ASSY- (REPLS ITEMS 76, 76A, 76B, 76C) (REPLD BY ITEM 76E)	B,D,G ,H	1
-76E	315T3562-5018		...PANEL ASSY- (REPLS ITEMS 76, 76A, 76B, 76C, 76D)	B,D,G ,H	1
77	315T3519-2	FITTING-AUX SLIDER UPR ATTACHMENT	A,C,E ,F	1
-80	315T3519-1	FITTING-AUX SLIDER UPR ATTACHMENT ATTACHING PARTS	B,D,G ,H	1
83	HL523AZ8-18	BOLT- (V56878) (SPEC BACB30NZ8K18) (OPT HL523AZ8-18 (VOPTK6)) (OPT L804-8K18 (V06725)) (OPT HL523AZ8-18 (V92215)) (OPT HL523AZ8-18 (V73197)) (OPT HL523AZ8-18 (V97928)) (OPT HL523AZ8-18 (V60516)) (OPT HL523AZ8-18 (V06725))	A-H	2

78-31-22

 ILLUSTRATED PARTS LIST
 01.1 Page 1080L
 Nov 01/03

FIG. & ITEM	PART NO.	AIRLINE PART NUMBER	NOMENCLATURE 1234567	EFF CODE	QTY PER ASSY
01-84	HL523AZ8-19	BOLT- (V56878) (SPEC BACB30NZ8K19) (OPT HL523AZ8-19 (V92215)) (OPT L804-8K19 (V06725)) (OPT HL523AZ8-19 (V60516)) (OPT HL523AZ8-19 (V0PTK6)) (OPT HL523AZ8-19 (V73197)) (OPT HL523AZ8-19 (V97928)) (OPT HL523AZ8-19 (V06725)) (USED ON ITEMS 75C, 75D, 75E, 76C, 76D, 76E)	A-H	2
-84A	HL523AZ8-18	BOLT- (V56878) (SPEC BACB30NZ8K18) (OPT HL523AZ8-18 (V0PTK6)) (OPT L804-8K18 (V06725)) (OPT HL523AZ8-18 (V92215)) (OPT HL523AZ8-18 (V73197)) (OPT HL523AZ8-18 (V97928)) (OPT HL523AZ8-18 (V60516)) (OPT HL523AZ8-18 (V06725)) (USED ON ITEMS 75, 75A, 75B, 76, 76A, 76B)	A-H	2
85	BACS40R11A27F	SHIM	A-H	2
88	BACS40R11B27F	SHIM	A-H	2

78-31-22

FIG. & ITEM	PART NO.	AIRLINE PART NUMBER	NOMENCLATURE 1234567	EFF CODE	QTY PER ASSY
01-91	HL79-8	COLLAR- (V5M902) (SPEC BACC30M8) (OPT HL79-8 (V73197)) (OPT HL79-8 (V92215)) (OPT 66014-8 (V56878)) (OPT HL79-8 (V56878))	A-H	4
93	HL523AZ8-16	BOLT- (V56878) (SPEC BACB30NZ8K16) (OPT HL523AZ8-16 (V0PTK6)) (OPT L804-8K16 (V06725)) (OPT HL523AZ8-16 (V92215)) (OPT HL523AZ8-16 (V73197)) (OPT HL523AZ8-16 (V97928)) (OPT HL523AZ8-16 (V60516)) (OPT HL523AZ8-16 (V06725))	A-H	2
94	HL523AZ8-17	BOLT- (V56878) (SPEC BACB30NZ8K17) (OPT HL523AZ8-17 (V92215)) (OPT L804-8K17 (V06725)) (OPT HL523-17 (V06725)) (OPT HL523AZ8-17 (V73197)) (OPT HL523AZ8-17 (V97928)) (USED ON ITEMS 75C, 75D, 75E, 76C, 76D, 76E)	A-H	2

78-31-22

 ILLUSTRATED PARTS LIST
 01.1 Page 1080N
 Nov 01/03

315T3500
 315T3001
 315T4026 DASH NUMBERS
 LIMITED

 **BOEING**
 COMPONENT
 MAINTENANCE MANUAL

FIG. & ITEM	PART NO.	AIRLINE PART NUMBER	NOMENCLATURE 1234567	EFF CODE	QTY PER ASSY
01- -94A	HL523AZ8-16	BOLT- (V56878) (SPEC BACB30NZ8K16) (OPT HL523AZ8-16 (VOPTK6)) (OPT L804-8K16 (V06725)) (OPT HL523AZ8-16 (V92215)) (OPT HL523AZ8-16 (V73197)) (OPT HL523AZ8-16 (V97928)) (OPT HL523AZ8-16 (V60516)) (OPT HL523AZ8-16 (V06725)) (USED ON ITEMS 75, 75A, 75B, 76, 76A, 76B)	A-H	2
95	BACS40R11A42F	SHIM	A-H	2
98	BACS40R11B42F	SHIM	A-H	2
101	HL79-8	COLLAR- (V5M902) (SPEC BACC30M8) (OPT HL79-8 (V73197)) (OPT HL79-8 (V92215)) (OPT 66014-8 (V56878)) (OPT HL79-8 (V56878)) -----*	A-H	4

78-31-22

ILLUSTRATED PARTS LIST
 01.1 Page 10800
 Nov 01/03

FIG. & ITEM	PART NO.	AIRLINE PART NUMBER	NOMENCLATURE 1234567	EFF CODE	QTY PER ASSY
01-102	315T3562-15	FILLER-RADIUS (USED ON ITEMS 75C, 75D, 75E, 76C, 76D, 76E)	A-H	4
103	315T3567-1	FITTING-BUMPER SPRT (OPT ITEM 103A) (USED ON ITEMS 75, 75A, 76, 76A)	A-H	4
-103A	315T3567-3	FITTING-BUMPER SPRT (OPT ITEM 103) (USED ON ITEMS 75, 75A, 76, 76A)	A-H	4
-104	315T3567-3	FITTING-BUMPER SPRT (USED ON ITEMS 75B, 75C, 75D, 75E, 76B, 76C, 76D, 76E)	A-H	1
105	HL523AZ5-14		ATTACHING PARTSBOLT- (V56878) (SPEC BACB30NZ5K14) (OPT HL523AZ5-14 (V92215)) (OPT L804-5K14 (V06725)) (OPT HL523AZ5-14 (V0PTK6)) (OPT HL523AZ5-14 (V73197)) (OPT HL523AZ5-14 (V73197)) (OPT HL523AZ5-14 (V60516)) (OPT HL523AZ5-14 (V06725))	A-H	12

78-31-22

 ILLUSTRATED PARTS LIST
 01.1 Page 1080P
 Nov 01/03

FIG. & ITEM	PART NO.	AIRLINE PART NUMBER	NOMENCLATURE 1234567	EFF CODE	QTY PER ASSY
01-108	HL79-5	COLLAR- (V5M902) (SPEC BACC30M5) (OPT HL70-5 (V73197)) (OPT HL70-5 (V92215)) (OPT 66014-5 (V56878)) (OPT HL70-5 (V56878)) -----*	A-H	12
111	315T3520-6	FITTING-AUX SLIDER LWR ATTACHMENT	A,C,E ,F	1
-114	315T3520-5	FITTING-AUX SLIDER LWR ATTACHMENT ATTACHING PARTS	B,D,G ,H	1
117	HL523AZ8-18	BOLT- (V56878) (SPEC BACB30NZ8K18) (OPT HL523AZ8-18 (VOPTK6)) (OPT L804-8K18 (V06725)) (OPT HL523AZ8-18 (V92215)) (OPT HL523AZ8-18 (V73197)) (OPT HL523AZ8-18 (V97928)) (OPT HL523AZ8-18 (V60516)) (OPT HL523AZ8-18 (V06725))	A-H	4

78-31-22

ILLUSTRATED PARTS LIST
 01.1 Page 1080Q
 Nov 01/03

FIG. & ITEM	PART NO.	AIRLINE PART NUMBER	NOMENCLATURE 1234567	EFF CODE	QTY PER ASSY
01- 120 123 126	BACS40R11A27F BACS40R11B27F HL79-8	SHIMSHIMCOLLAR- (V5M902) (SPEC BACC30M8) (OPT HL79-8 (V73197)) (OPT HL79-8 (V92215)) (OPT 66014-8 (V56878)) (OPT HL79-8 (V56878))	A-H A-H A-H	2 2 4
129	HL523AZ8-16	BOLT- (V56878) (SPEC BACB30NZ8K16) (OPT HL523AZ8-16 (V0PTK6)) (OPT L804-8K16 (V06725)) (OPT HL523AZ8-16 (V92215)) (OPT HL523AZ8-16 (V73197)) (OPT HL523AZ8-16 (V97928)) (OPT HL523AZ8-16 (V60516)) (OPT HL523AZ8-16 (V06725))	A-H	6

78-31-22

315T3500
 315T3001
 315T4026 DASH NUMBERS
 LIMITED

 **BOEING**
 COMPONENT
 MAINTENANCE MANUAL

FIG. & ITEM	PART NO.	AIRLINE PART NUMBER	NOMENCLATURE 1234567	EFF CODE	QTY PER ASSY
01-					
132	BACS40R11A42F	SHIM	A-H	2
135	BACS40R11B42F	SHIM	A-H	2
138	HL79-8	COLLAR- (V5M902) (SPEC BACC30M8) (OPT HL79-8 (V73197)) (OPT HL79-8 (V92215)) (OPT 66014-8 (V56878)) (OPT HL79-8 (V56878)) -----*	A-H	6
139	315T3574-1	INSERT ASSY- DEACTIVATION (PRE SB 767-78A0089)	A-H	1
140	MS21209F8-10	INSERT	A-H	1
141	315T3574-2	INSERT	A-H	1
141H	315T4027-1	INSERT ASSY- (POST SB 767-78A0089)	A-H	1
141L	315T4027-4	FLANGE-INNER	A-H	1
141P	315T4027-2	FLANGE ASSY-OUTER	A-H	1
141S	MS21209F8-10L	INSERT- (OPT ITEMS 141T, 141U)	A-H	1
-141T	MS21209F8-10	INSERT- (OPT ITEMS 141S, 141U)	A-H	1
-141U	MS21209F8-10P	INSERT- (OPT ITEMS 141S, 141T)	A-H	1
141X	315T4027-3	FLANGE	A-H	1
142	315T3565-1	INSERT ASSY- DEACTIVATION	A-H	3

78-31-22

ILLUSTRATED PARTS LIST
 01.1 Page 1080S
 Nov 01/03

FIG. & ITEM	PART NO.	AIRLINE PART NUMBER	NOMENCLATURE 1234567	EFF CODE	QTY PER ASSY
01-					
143	MS21209F7-10P	INSERT	A-H	1
146	315T3565-2	INSERT	A-H	1
149	ASPF FEU8-18AC	PIN- (V17446) (OPT ITEM 149A) (USED ON ITEMS 75, 75A, 75B, 76, 76A, 76B)	A-H	15
-149A	ASPF FDT8-18	PIN- (V17446) (OPT ITEM 149) (USED ON ITEMS 75, 75A, 75B, 76, 76A, 76B)	A-H	15
-149B	ASPF FEU8-16AC	PIN- (V17446) (OPT ITEM 150A) (USED ON ITEMS 75C, 75D, 75E, 76C, 76D, 76E)	A-H	15
-149C	ASPF FDT8-16	PIN- (V17446) (OPT ITEM 150) (USED ON ITEMS 75C, 75D, 75E, 76C, 76D, 76E)	A-H	15
152	ASPF SDT8	SLEEVE- (V17446)	A-H	15
155	315T3562-4	SHIM	A-H	3
158	ASPLC2AC8	COLLAR-LOCKING (V17446)	A-H	15
161	HL523AZ8-7	BOLT- (V56878) (SPEC BACB30NZ8K7) (OPT HL523AZ8-7 (VOPTK6)) (OPT L804-8K7 (V06725)) (OPT HL523AZ8-7 (V92215)) (OPT HL523AZ8-7 (V73197)) (OPT HL523AZ8-7 (V97928)) (OPT HL523AZ8-7 (V60516)) (OPT HL523AZ8-7 (V06725))	A-H	9

78-31-22

 ILLUSTRATED PARTS LIST
 01.1 Page 1080T
 Nov 01/03

FIG. & ITEM	PART NO.	AIRLINE PART NUMBER	NOMENCLATURE 1234567	EFF CODE	QTY PER ASSY
01-163	BACB30LR4-6	BOLT- (USED ON ITEMS 75, 75A, 75B, 75C, 75D, 76, 76A, 76B, 76C, 76D)	A-H	3
-163A	BACB30NN4K6	BOLT- (USED ON ITEMS 75E, 76E)	A-H	3
166	315T3562-3	SHIM	A-H	3
169	HL79-8	COLLAR- (V5M902) (SPEC BACC30M8) (OPT HL79-8 (V73197)) (OPT HL79-8 (V92215)) (OPT 66014-8 (V56878)) (OPT HL79-8 (V56878))	A-H	9
172	BR1000C4MK		DELETED		
172A	BRF100C4M	NUTPLATE- (V52828) (SPEC BACN10KB4CFM) (OPT F2001-4 (V15653)) (OPT T8113C428C (V11815)) (OPT VN151D1-048 (V92215)) (OPT 109F9207-4 (V72962)) (OPT F2001-4 (V15653)) ATTACHING PARTS	A-H	3

78-31-22

ILLUSTRATED PARTS LIST
 01.1 Page 1080U
 Nov 01/03

FIG. & ITEM	PART NO.	AIRLINE PART NUMBER	NOMENCLATURE 1234567	EFF CODE	QTY PER ASSY
01-175	BACR15BA3AD6	RIVET -----*-----	A-H	6
178	315T3561-4	FITTING ASSY-ACTR ATTACHMENT (USED ON ITEMS 75, 76)	A-H	3
-179	315T3561-6	FITTING ASSY-SLEEVE ACTR ROD ATTACHMENT (OPT ITEM 179A) (USED ON ITEMS 75A, 75B, 75C, 75D, 75E, 76A, 76B, 76C, 76D, 76E)	A-H	3
-179A	315T3561-8	FITTING ASSY-SLEEVE ACTR ROD ATTACHMENT (OPT ITEM 179) (USED ON ITEMS 75A, 75B, 75C, 75D, 75E, 76A, 76B, 76C, 76D, 76E)	A-H	3
181	BACB28AP05P022	BUSHING	A-H	1
183	BACB28AM08B022A	BUSHING- (USED ON ITEM 178)	A-H	1
-183A	BACB28AM07B022A	BUSHING- (USED ON ITEMS 179, 179A)	A-H	1
185	315T3561-5	FITTING- (USED ON ITEM 178)	A-H	1
-186	315T3561-7	FITTING- (USED ON ITEM 179)	A-H	1
-186A	315T3561-9	FITTING- (USED ON ITEM 179A)	A-H	1

78-31-22

 ILLUSTRATED PARTS LIST
 01.1 Page 1080V
 Nov 01/03

FIG. & ITEM	PART NO.	AIRLINE PART NUMBER	NOMENCLATURE 1234567	EFF CODE	QTY PER ASSY
01-188	HL523AZ6-4	BOLT- (V56878) (SPEC BACB30NZ6K4) (OPT HL523AZ6-4 (V06725)) (OPT L804-6K4 (V06725)) (OPT HL523AZ6-4 (V97928)) (OPT HL523AZ6-4 (V92215)) (OPT HL523AZ6-4 (V0PTK6)) (OPT HL523AZ6-4 (V60516)) (OPT HL523AZ6-4 (V73197))	A-H	27
191	HL79-6	COLLAR- (V5M902) (SPEC BACC30M6) (OPT HL79-6 (V73197)) (OPT HL79-6 (V92215)) (OPT 66014-6 (V56878)) (OPT HL79-6 (V56878))	A-H	27
193	BACB30LR4-4	BOLT- (USED ON ITEMS 75, 75A, 75B, 75C, 75D, 76, 76A, 76B, 76C, 76D)	A-H	12
-193A	BACB30NN4K4	BOLT- (USED ON ITEMS 75E, 76E)	A-H	12
196	315T3562-5	SHIM	A-H	3
199	315T3566-1	DOUBLER ASSY-ACTR ACCESS	A-H	3

78-31-22

FIG. & ITEM	PART NO.	AIRLINE PART NUMBER	NOMENCLATURE 1234567	EFF CODE	QTY PER ASSY
01-202	BRF200C4M	NUTPLATE- (V52828) (SPEC BACN10JR4CFM) (OPT F5001-4BAC (V15653)) (OPT NS103203SE048 (V80539)) (OPT T8092C428 (V11815)) (OPT VN152D1-048 (V92215)) (OPT 109F9201-4 (V72962)) ATTACHING PARTS	A-H	4
205	BACR15BA3AD4	RIVET -----*-----	A-H	8
208	315T3566-2	DOUBLER	A-H	1
210	315T3575-5		DELETED		
210A	315T3575-6	PANEL ASSY-ACR ACCESS (USED ON ITEMS 75E, 76E)	A-H	3
211A	315T3575-1	PANEL ASSY-ACR ACCESS (USED ON ITEMS 75, 75A, 75B, 75C, 75D, 76, 76A, 76B, 76C, 76D)	A-H	3
214	315T3575-3	DOUBLER	A-H	1
217	315T3575-2	PANEL	A-H	1
220	BRF200C4M	NUTPLATE- (V52828) (SPEC BACN10JR4CFM) (OPT F5001-4BAC (V15653)) (OPT NS103203SE048 (V80539)) (OPT T8092C428 (V11815)) (OPT VN152D1-048 (V92215)) (OPT 109F9201-4 (V72962))	A-H	11

78-31-22

 ILLUSTRATED PARTS LIST
 01.1 Page 1080X
 Nov 01/03

FIG. & ITEM	PART NO.	AIRLINE PART NUMBER	NOMENCLATURE 1234567	EFF CODE	QTY PER ASSY
01-221	BRF100C4M	NUTPLATE- (V52828) (SPEC BACN10KB4CFM) (OPT F2001-4 (V15653)) (OPT T8113C428C (V11815)) (OPT VN151D1-048 (V92215)) (OPT 109F9207-4 (V72962)) (OPT F2001-4 (V15653)) ATTACHING PARTS	A-H	2
223	AF5141-3-5	RIVET- (V53551) (SPEC BACR15DR3A5) (OPT RV541A3-5 (V98996)) (OPT CCR264CS3-5TT (V11815)) -----*-----	A-H	26
226	315T3564-12	BOND ASSY-PNL (USED ON ITEM 75)	A,C,E ,F	1
-226A	315T3564-15	BOND ASSY-PNL (USED ON ITEM 75A)	A,C,E ,F	1
-226D	315T3564-25	BOND ASSY-PNL (USED ON ITEMS 75B, 75C)	A,C,E ,F	1
-226E	315T3564-29	BOND ASSY-PNL (USED ON ITEMS 75D, 75E)	A,C,E ,F	1
-229	315T3564-13	BOND ASSY-PNL (USED ON ITEM 76)	B,D,G ,H	1
-229A	315T3564-16	BOND ASSY-PNL (USED ON ITEM 76A)	B,D,G ,H	1
-229D	315T3564-26	BOND ASSY-PNL (USED ON ITEMS 76B, 76C)	B,D,G ,H	1
-229E	315T3564-30	BOND ASSY-PNL (USED ON ITEMS 76D, 76E)	B,D,G ,H	1
232	ASPF PDT8-13		..PIN- (V17446)	A-H	6
235	ASPF PDT8-14		..PIN- (V17446)	A-H	4
238	ASPF PDT8-15		..PIN- (V17446)	A-H	2

78-31-22

FIG. & ITEM	PART NO.	AIRLINE PART NUMBER	NOMENCLATURE 1234567	EFF CODE	QTY PER ASSY
01-241	ASPF8DT8-16		..PIN- (V17446)	A-H	4
244	ASPF8DT8-17		..PIN- (V17446)	A-H	20
247	ASPF8DT8-18		..PIN- (V17446)	A-H	2
250	ASPF8DT8-19		..PIN- (V17446)	A-H	4
253	ASPF8DT8-20		..PIN- (V17446)	A-H	2
258	ASPF8DT8		..SLEEVE- (V17446)	A-H	44
261	ASPLC2AC8		..COLLAR-LOCKING (V17446)	A-H	44
264	BACB30NU4K5		..BOLT	A-H	14
267	AN96OPD416		..WASHER	A-H	14
270	BACS40R14B270F		..SHIM	A-H	AR
273	BRH10C4M		..NUT- (V52828) (SPEC BACN10JC4CM) (OPT T6C428JM (V11815)) (OPT 97E48 (V80539)) (OPT 109LH9075-4W (V72962)) (OPT VN303D048 (V92215)) (OPT 9NS202101SE048 (VA8053)) (OPT H01-4BAC (V15653))	A-H	14

78-31-22

 ILLUSTRATED PARTS LIST
 01.1 Page 1080Z
 Nov 01/03

FIG. & ITEM	PART NO.	AIRLINE PART NUMBER	NOMENCLATURE 1234567	EFF CODE	QTY PER ASSY
01-276	HL523AZ8-11		..BOLT- (V56878) (SPEC BACB30NZ8K11) (OPT HL523AZ8-11 (V92215)) (OPT L804-8K11 (V06725)) (OPT HL523AZ8-11 (V0PTK6)) (OPT HL523AZ8-11 (V73197)) (OPT HL523AZ8-11 (V73197)) (OPT HL523AZ8-11 (V60516)) (OPT HL523AZ8-11 (V06725))	A-H	2
279	HL523AZ8-15		..BOLT- (V73197) (SPEC BACB30NZ8K15) (OPT L804-8K15 (V06725)) (OPT HL523AZ8-15 (V56878)) (OPT HL523AZ8-15 (V92215)) (OPT HL523AZ8-15 (V97928)) (OPT HL523AZ8-15 (V0PTK6)) (OPT HL523AZ8-15 (V60516)) (OPT HL523AZ8-15 (V06725))	A-H	2

78-31-22

FIG. & ITEM	PART NO.	AIRLINE PART NUMBER	NOMENCLATURE 1234567	EFF CODE	QTY PER ASSY
01-280A	HL523AZ8-16		..BOLT- (V56878) (SPEC BACB30NZ8K16) (OPT HL523AZ8-16 (V0PTK6)) (OPT L804-8K16 (V06725)) (OPT HL523AZ8-16 (V92215)) (OPT HL523AZ8-16 (V73197)) (OPT HL523AZ8-16 (V97928)) (OPT HL523AZ8-16 (V60516)) (OPT HL523AZ8-16 (V06725))	A-H	2
282	HL523AZ8-17		..BOLT- (V56878) (SPEC BACB30NZ8K17) (OPT HL523AZ8-17 (V92215)) (OPT L804-8K17 (V06725)) (OPT HL523-17 (V06725)) (OPT HL523AZ8-17 (V73197)) (OPT HL523AZ8-17 (V97928))	A-H	12

78-31-22

 ILLUSTRATED PARTS LIST
 01.1 Page 1082
 Nov 01/03

315T3500
 315T3001
 315T4026 DASH NUMBERS
 LIMITED

 **BOEING**
 COMPONENT
 MAINTENANCE MANUAL

FIG. & ITEM	PART NO.	AIRLINE PART NUMBER	NOMENCLATURE 1234567	EFF CODE	QTY PER ASSY
01-					
288	315T3500-9		..FILLER-TAPERED	A-H	4
-291	315T3500-10		..FILLER-TAPERED	A-H	4
294	BACS40R06C06F		..SHIM	A-H	2
297	315T3500-3		..FILLER-RADIUS	A-H	2
300	HL79-8		..COLLAR- (V5M902) (SPEC BACC30M8) (OPT HL79-8 (V73197)) (OPT HL79-8 (V92215)) (OPT 66014-8 (V56878)) (OPT HL79-8 (V56878))	A-H	14
301	BRH10C08M		..NUT- (V52828) (SPEC BACN10JC08CM) (OPT T6C832JM (V11815)) (OPT 97E82 (V80539)) (OPT 109LH9075-82W (V72962)) (OPT VN303D82 (V92215)) (OPT NS202101SE82 (V80539)) (OPT H01-08BAC (V15653))	A-H	4
303	315T3502-1		..BOND ASSY-ACOUSTIC PNL (USED ON ITEMS 2L, 2P, 3R, 3X, 3Z, 4F)	A,C,F	1
-303A	315T3502-81		..BOND ASSY-ACOUSTIC PNL (USED ON ITEM 2N)	C,E	1
-306	315T3502-2		..BOND ASSY-ACOUSTIC PNL (USED ON ITEMS 2Q, 2T, 3S, 3Y, 4E, 4G)	B,D,H	1
-306A	315T3502-82		..BOND ASSY-ACOUSTIC PNL (USED ON ITEM 2S)	D,G	1

78-31-22

ILLUSTRATED PARTS LIST
 01.1 Page 1082A
 Nov 01/03

FIG. & ITEM	PART NO.	AIRLINE PART NUMBER	NOMENCLATURE 1234567	EFF CODE	QTY PER ASSY
01-					
318	NAS1835C4P		...INSERT	A-H	4
320	315T3500-11		..PLUG	A-H	2
321	315T3505-8		..SLIDER ASSY	A,C,E	1
-323	315T3505-7		..SLIDER ASSY	F B,D,G	1
			ATTACHING PARTS	H	
326	HL11VAZ8-7		..BOLT- (V56878) (SPEC BACB30NW8K7) (OPT B30NW8K7 (V97928)) (OPT HL11VAZ8-7 (V73197)) (OPT HL11VAZ8-7 (V92215)) (OPT HL11VAZ8-7 (V97928)) (OPT L803-8K7 (V06725)) (OPT HL11VAZ8-7 (VOPTK6)) (OPT HL11VAZ8-7 (V60516))	A-H	3
329	HL11VAZ8-8		..BOLT- (V56878) (SPEC BACB30NW8K8) (OPT B30NW8K8 (V97928)) (OPT HL11VAZ8-8 (V73197)) (OPT HL11VAZ8-8 (V92215)) (OPT HL11VAZ8-8 (V97928)) (OPT L803-8K8 (V06725)) (OPT HL11VAZ8-8 (VOPTK6)) (OPT HL11VAZ8-8 (V60516))	A-H	2

78-31-22

 ILLUSTRATED PARTS LIST
 01.1 Page 1082B
 Nov 01/03

315T3500
 315T3001
 315T4026 DASH NUMBERS
 LIMITED

 **BOEING**
 COMPONENT
 MAINTENANCE MANUAL

FIG. & ITEM	PART NO.	AIRLINE PART NUMBER	NOMENCLATURE 1234567	EFF CODE	QTY PER ASSY
01-332	HL11VAZ8-11		..BOLT- (V60516) (SPEC BACB30NW8K11) (OPT B30NW8K11 (V97928)) (OPT HL11VAZ8-11 (V73197)) (OPT HL11VAZ8-11 (V92215)) (OPT HL11VAZ8-11 (V97928)) (OPT L803-8K11 (V06725)) (OPT HL11VAZ8-11 (V0PTK6)) (OPT HL11VAZ8-11 (V56878))	A-H	2
335	BACS40R14C240F		..SHIM	A-H	AR
338	BACS40R14C28F		..SHIM	A-H	AR
341	HL79-8		..COLLAR- (V5M902) (SPEC BACC30M8) (OPT HL79-8 (V73197)) (OPT HL79-8 (V92215)) (OPT 66014-8 (V56878)) (OPT HL79-8 (V56878))	A-H	7

78-31-22

ILLUSTRATED PARTS LIST
 01.1 Page 1082C
 Nov 01/03

FIG. & ITEM	PART NO.	AIRLINE PART NUMBER	NOMENCLATURE 1234567	EFF CODE	QTY PER ASSY
01-344	HL11VAZ6-11		..BOLT- (V60516) (SPEC BACB30NW6K11) (OPT B30NW6K11 (V97928)) (OPT HL11VAZ6-11 (V73197)) (OPT HL11VAZ6-11 (V92215)) (OPT HL11VAZ6-11 (V97928)) (OPT L803-6K11 (V06725)) (OPT HL11VAZ6-11 (V0PTK6)) (OPT HL11VAZ6-11 (V56878))	A-H	6
347	HL11VAZ6-13		..BOLT- (V60516) (SPEC BACB30NW6K13) (OPT B30NW6K13 (V97928)) (OPT HL11VAZ6-13 (V73197)) (OPT HL11VAZ6-13 (V92215)) (OPT HL11VAZ6-13 (V97928)) (OPT L803-6K13 (V06725)) (OPT HL11VAZ6-13 (V0PTK6)) (OPT HL11VAZ6-13 (V56878))	A-H	1

78-31-22

 ILLUSTRATED PARTS LIST
 01.1 Page 1082D
 Nov 01/03

FIG. & ITEM	PART NO.	AIRLINE PART NUMBER	NOMENCLATURE 1234567	EFF CODE	QTY PER ASSY
01-350	HL11VAZ8-13		..BOLT- (V60516) (SPEC BACB30NW8K13) (OPT B30NW8K13 (V97928)) (OPT HL11VAZ8-13 (V73197)) (OPT HL11VAZ8-13 (V92215)) (OPT HL11VAZ8-13 (V97928)) (OPT L803-8K13 (V06725)) (OPT HL11VAZ8-13 (V0PTK6)) (OPT HL11VAZ8-13 (V56878))	A-H	2
356A	HL11VAZ10-15		..BOLT- (V60516) (SPEC BACB30NW10K15) (OPT B30NW10K15 (V97928)) (OPT HL11VAZ10-15 (V73197)) (OPT HL11VAZ10-15 (V92215)) (OPT HL11VAZ10-15 (V97928)) (OPT L803-10K15 (V06725)) (OPT HL11VAZ10-15 (V0PTK6)) (OPT HL11VAZ10-15 (V56878))	A-H	3

78-31-22

ILLUSTRATED PARTS LIST
 01.1 Page 1082E
 Nov 01/03

FIG. & ITEM	PART NO.	AIRLINE PART NUMBER	NOMENCLATURE 1234567	EFF CODE	QTY PER ASSY
01- 359 362	BACS40R17C130F HL79-6		..SHIM ..COLLAR- (V5M902) (SPEC BACC30M6) (OPT HL79-6 (V73197)) (OPT HL79-6 (V92215)) (OPT 66014-6 (V56878)) (OPT HL79-6 (V56878))	A-H A-H	AR 7
365	HL79-8		..COLLAR- (V5M902) (SPEC BACC30M8) (OPT HL79-8 (V73197)) (OPT HL79-8 (V92215)) (OPT 66014-8 (V56878)) (OPT HL79-8 (V56878))	A-H	2
368	HL79-10		..COLLAR- (V5M902) (SPEC BACC30M10) (OPT HL79-10 (V73197)) (OPT HL79-10 (V92215)) (OPT 66014-10 (V56878)) (OPT HL79-10 (V56878))	A-H	3
371	315T3505-9		-----*----- ...TAPE	A-H	1
377	315T3556-6		...BLOCK-UPR STOP ATTACHING PARTS	A-H	1
382	BACB30LP4P4		...BOLT -----*-----	A-H	2

78-31-22

 ILLUSTRATED PARTS LIST
 01.1 Page 1082F
 Nov 01/03

315T3500
 315T3001
 315T4026 DASH NUMBERS
 LIMITED

 **BOEING**
 COMPONENT
 MAINTENANCE MANUAL

FIG. & ITEM	PART NO.	AIRLINE PART NUMBER	NOMENCLATURE 1234567	EFF CODE	QTY PER ASSY
01-385	315T3505-4		...SLIDER	A,C,E F	1
-388	315T3505-3		...SLIDER	B,D,G H	1
391	315T3505-1		..SLIDER ASSY	A,C,E F	1
-394	315T3505-2		..SLIDER ASSY	B,D,G H	1
397	HL11VAZ8-7		ATTACHING PARTS ..BOLT- (V56878) (SPEC BACB30NW8K7) (OPT B30NW8K7 (V97928)) (OPT HL11VAZ8-7 (V73197)) (OPT HL11VAZ8-7 (V92215)) (OPT HL11VAZ8-7 (V97928)) (OPT L803-8K7 (V06725)) (OPT HL11VAZ8-7 (V0PTK6)) (OPT HL11VAZ8-7 (V60516))	A-H	3
400	HL11VAZ8-8		..BOLT- (V56878) (SPEC BACB30NW8K8) (OPT B30NW8K8 (V97928)) (OPT HL11VAZ8-8 (V73197)) (OPT HL11VAZ8-8 (V92215)) (OPT HL11VAZ8-8 (V97928)) (OPT L803-8K8 (V06725)) (OPT HL11VAZ8-8 (V0PTK6)) (OPT HL11VAZ8-8 (V60516))	A-H	2

78-31-22

ILLUSTRATED PARTS LIST
 01.1 Page 1082G
 Nov 01/03

FIG. & ITEM	PART NO.	AIRLINE PART NUMBER	NOMENCLATURE 1234567	EFF CODE	QTY PER ASSY
01-403	HL11VAZ8-11		..BOLT- (V60516) (SPEC BACB30NW8K11) (OPT B30NW8K11 (V97928)) (OPT HL11VAZ8-11 (V73197)) (OPT HL11VAZ8-11 (V92215)) (OPT HL11VAZ8-11 (V97928)) (OPT L803-8K11 (V06725)) (OPT HL11VAZ8-11 (V0PTK6)) (OPT HL11VAZ8-11 (V56878))	A-H	2
406	BACS40R14C240F		..SHIM	A-H	AR
409	BACS40R14C28F		..SHIM	A-H	AR
412	HL79-8		..COLLAR- (V5M902) (SPEC BACC30M8) (OPT HL79-8 (V73197)) (OPT HL79-8 (V92215)) (OPT 66014-8 (V56878)) (OPT HL79-8 (V56878))	A-H	7

78-31-22

FIG. & ITEM	PART NO.	AIRLINE PART NUMBER	NOMENCLATURE 1234567	EFF CODE	QTY PER ASSY
01-415	HL11VAZ6-11		..BOLT- (V60516) (SPEC BACB30NW6K11) (OPT B30NW6K11 (V97928)) (OPT HL11VAZ6-11 (V73197)) (OPT HL11VAZ6-11 (V92215)) (OPT HL11VAZ6-11 (V97928)) (OPT L803-6K11 (V06725)) (OPT HL11VAZ6-11 (V0PTK6)) (OPT HL11VAZ6-11 (V56878))	A-H	6
418	HL11VAZ6-13		..BOLT- (V60516) (SPEC BACB30NW6K13) (OPT B30NW6K13 (V97928)) (OPT HL11VAZ6-13 (V73197)) (OPT HL11VAZ6-13 (V92215)) (OPT HL11VAZ6-13 (V97928)) (OPT L803-6K13 (V06725)) (OPT HL11VAZ6-13 (V0PTK6)) (OPT HL11VAZ6-13 (V56878))	A-H	1

78-31-22

ILLUSTRATED PARTS LIST
 01.1 Page 1082I
 Nov 01/03

FIG. & ITEM	PART NO.	AIRLINE PART NUMBER	NOMENCLATURE 1234567	EFF CODE	QTY PER ASSY
01-421	HL11VAZ8-13		..BOLT- (V60516) (SPEC BACB30NW8K13) (OPT B30NW8K13 (V97928)) (OPT HL11VAZ8-13 (V73197)) (OPT HL11VAZ8-13 (V92215)) (OPT HL11VAZ8-13 (V97928)) (OPT L803-8K13 (V06725)) (OPT HL11VAZ8-13 (V0PTK6)) (OPT HL11VAZ8-13 (V56878))	A-H	2
427A	HL11VAZ10-15		..BOLT- (V60516) (SPEC BACB30NW10K15) (OPT B30NW10K15 (V97928)) (OPT HL11VAZ10-15 (V73197)) (OPT HL11VAZ10-15 (V92215)) (OPT HL11VAZ10-15 (V97928)) (OPT L803-10K15 (V06725)) (OPT HL11VAZ10-15 (V0PTK6)) (OPT HL11VAZ10-15 (V56878))	A-H	3

78-31-22

 ILLUSTRATED PARTS LIST
 01.1 Page 1082J
 Nov 01/03

FIG. & ITEM	PART NO.	AIRLINE PART NUMBER	NOMENCLATURE 1234567	EFF CODE	QTY PER ASSY
01- 430 433	BACS40R17C130F HL79-6		..SHIM ..COLLAR- (V5M902) (SPEC BACC30M6) (OPT HL79-6 (V73197)) (OPT HL79-6 (V92215)) (OPT 66014-6 (V56878)) (OPT HL79-6 (V56878))	A-H A-H	AR 7
436	HL79-8		..COLLAR- (V5M902) (SPEC BACC30M8) (OPT HL79-8 (V73197)) (OPT HL79-8 (V92215)) (OPT 66014-8 (V56878)) (OPT HL79-8 (V56878))	A-H	2
439	HL79-10		..COLLAR- (V5M902) (SPEC BACC30M10) (OPT HL79-10 (V73197)) (OPT HL79-10 (V92215)) (OPT 66014-10 (V56878)) (OPT HL79-10 (V56878))	A-H	3
442	315T3505-9		-----*----- ...TAPE	A-H	1
448	315T3556-5		...BLOCK-LWR STOP ATTACHING PARTS	A-H	1
451	BACB30LP4P4		...BOLT -----*-----	A-H	2
453	315T3505-3		...SLIDER	A,C,E ,F	1
-456	315T3505-4		...SLIDER	B,D,G ,H	1

78-31-22

FIG. & ITEM	PART NO.	AIRLINE PART NUMBER	NOMENCLATURE 1234567	EFF CODE	QTY PER ASSY
01-459	315T3572-10		..FITTING ASSY-SLIDER ATTACH (REPLD BY ITEM 459A)	A-H	1
-459A	315T3572-8		..FITTING ASSY-SLIDER ATTACH (REPLS ITEM 459) ATTACHING PARTS	A-H	1
462	HL10VAZ6-5		..BOLT- (V60516) (SPEC BACB30MY6K5) (OPT B30MY6K5 (V97928))	A-H	1
465	HL79-6		..COLLAR- (V5M902) (SPEC BACC30M6) (OPT HL79-6 (V73197)) (OPT HL79-6 (V92215)) (OPT 66014-6 (V56878)) (OPT HL79-6 (V56878))	A-H	1
468	HL10VAZ6-9		..BOLT- (V60516) (SPEC BACB30MY6K9) (OPT B30MY6K9 (V97928)) (USED ON ITEMS 2N, 2S)	A-H	2
-468A	HL10VAZ6-9		..BOLT- (V60516) (SPEC BACB30MY6K9) (OPT B30MY6K9 (V97928)) (ITEM 468B (QTY 2) OPT ITEM 474A AND ITEM 468A (QTY 2)) (USED ON ITEMS 2L, 2P, 2Q, 2T)	C,D	2

78-31-22

 ILLUSTRATED PARTS LIST
 01.1 Page 1082L
 Nov 01/03

315T3500
 315T3001
 315T4026 DASH NUMBERS
 LIMITED

 **BOEING**
 COMPONENT
 MAINTENANCE MANUAL

FIG. & ITEM	PART NO.	AIRLINE PART NUMBER	NOMENCLATURE 1234567	EFF CODE	QTY PER ASSY
01- -468B	L8006K6		..BOLT- (V06725) (SPEC BACB30MY6K6) (OPT HL10VAZ6-6 (VOPTK6)) (ITEM 468B (QTY 2) OPT ITEM 474A AND 468A (QTY 2)) (USED ON ITEMS 2L, 2P, 2Q, 2T)	C,D	2
471	315T3500-5		..FILLER-RADIUS	A-H	1
474	315T3500-4		..FILLER-RADIUS (USED ON ITEMS 2N, 2S)	A-H	1
-474A	315T3500-4		..FILLER-RADIUS (ITEM 468B (QTY 2) OPT ITEM 474A AND ITEM 468A (QTY 2)) (USED ON ITEMS 2L, 2P, 2Q, 2T)	C,D	1
477	HL79-6		..COLLAR- (V5M902) (SPEC BACC30M6) (OPT HL79-6 (V73197)) (OPT HL79-6 (V92215)) (OPT 66014-6 (V56878)) (OPT HL79-6 (V56878)) -----*	A-H	2

78-31-22

ILLUSTRATED PARTS LIST
 01.1 Page 1082M
 Nov 01/03

FIG. & ITEM	PART NO.	AIRLINE PART NUMBER	NOMENCLATURE 1234567	EFF CODE	QTY PER ASSY
01-480	F5000-3BAC		...NUTPLATE- (V15653) (SPEC BACN10JR3F) (OPT NS103203-02 (V80539)) (OPT RMF9201-3 (V72962)) (OPT T8091S1032 (V11815)) (OPT VN152A1-02 (V92215)) (OPT BRF200A3 (V52828)) ATTACHING PARTS	A-H	3
483	BACR15BA3AD		...RIVET- (SIZE DETERMINE ON INST) -----*-----	A-H	6
-486	315T3572-2		...FITTING- (USED ON ITEM 459A)	A-H	1
489	315T3572-6		...FITTING- (USED ON ITEM 459)	A-H	1
492	315T3572-9		..FITTING ASSY-SLIDER ATTACH (REPLD BY ITEM 492A)	A-H	1
-492A	315T3572-7		..FITTING ASSY-SLIDER ATTACH (REPLS ITEM 492) ATTACHING PARTS	A-H	1
495	HL10VAZ6-5		..BOLT- (V60516) (SPEC BACB30MY6K5) (OPT B30MY6K5 (V97928))	A-H	1

78-31-22

 ILLUSTRATED PARTS LIST
 01.1 Page 1082N
 Nov 01/03

FIG. & ITEM	PART NO.	AIRLINE PART NUMBER	NOMENCLATURE 1234567	EFF CODE	QTY PER ASSY
01-498	HL79-6		..COLLAR- (V5M902) (SPEC BACC30M6) (OPT HL79-6 (V73197)) (OPT HL79-6 (V92215)) (OPT 66014-6 (V56878)) (OPT HL79-6 (V56878))	A-H	1
501	HL10VAZ6-9		..BOLT- (V60516) (SPEC BACB30MY6K9) (OPT B30MY6K9 (V97928)) (USED ON ITEMS 2N, 2S)	A-H	2
-501A	HL10VAZ6-9		..BOLT- (V60516) (SPEC BACB30MY6K9) (OPT B30MY6K9 (V97928)) (ITEM 501B OPT ITEM 507A AND ITEM 501A (QTY 2)) (USED ON ITEMS 2L, 2P, 2Q, 2T)	C,D	2
-501B	L8006K6		..BOLT- (V06725) (SPEC BACB30MY6K6) (OPT HL10VAZ6-6 (VOPTK6)) (ITEM 501B (QTY 2) OPT ITEM 507A AND ITEM 501A (QTY 2)) (USED ON ITEMS 2L, 2P, 2Q, 2T)	C,D	2

78-31-22

FIG. & ITEM	PART NO.	AIRLINE PART NUMBER	NOMENCLATURE 1234567	EFF CODE	QTY PER ASSY
01-504	315T3500-5		..FILLER-RADIUS	A-H	1
507	315T3500-4		..FILLER-RADIUS (USED ON ITEMS 2N, 2S)	A-H	1
-507A	315T3500-4		..FILLER-RADIUS (ITEM 501B OPT ITEM 507A AND ITEM 501A (QTY 2)) (USED ON ITEMS 2L, 2P, 2Q, 2T)	C,D	1
510	HL79-6		..COLLAR- (V5M902) (SPEC BACC30M6) (OPT HL79-6 (V73197)) (OPT HL79-6 (V92215)) (OPT 66014-6 (V56878)) (OPT HL79-6 (V56878)) -----*	A-H	2
513	F171-3		...NUTPLATE- (V72962) (SPEC BACN10JB3) (OPT 43600-02 (V80539)) (OPT BRF210A3 (V52828)) (OPT BRF270A3 (V52828)) ATTACHING PARTS	A-H	3

78-31-22

 ILLUSTRATED PARTS LIST
 01.1 Page 1082P
 Nov 01/03

315T3500
 315T3001
 315T4026 DASH NUMBERS
 LIMITED

 **BOEING**
 COMPONENT
 MAINTENANCE MANUAL

FIG. & ITEM	PART NO.	AIRLINE PART NUMBER	NOMENCLATURE 1234567	EFF CODE	QTY PER ASSY
01-516	BACR15BA3AD		...RIVET- (SIZE DETERMINE ON INST) -----*-----	A-H	6
-519	315T3572-1		...FITTING- (USED ON ITEM 492A)	A-H	1
522	315T3572-5		...FITTING- (USED ON ITEM 492)	A-H	1
524	MS24665-304		..PIN	A,B	6
525	MS20392-6C71		..PIN	A,B	6
528	NAS43DD7-109		..SPACER	A,B	6
531	AN960D716		..WASHER	A,B	6
534	315T3583-1		..SPRING-BLOCKER DOOR PRELOAD	A,B	6
537	BACB30LE6-46		..BOLT	A,B,E ,G	6
-537A	BACB30LE6-44		..BOLT	C,D,F ,H	6
538	MS20002C6		..WASHER	A,B	6
-538A	BACW10BP6CD		..WASHER	C-H	6
540	AN960-616L		..WASHER	A,B	6
-540A	AN960-616		..WASHER	C,D,E ,G	6
-540B	AN960C616		..WASHER	F,H	6

78-31-22

ILLUSTRATED PARTS LIST
 01.1 Page 1082Q
 Nov 01/03

FIG. & ITEM	PART NO.	AIRLINE PART NUMBER	NOMENCLATURE 1234567	EFF CODE	QTY PER ASSY
01-543	H39953-6		..NUT- (V15653) (SPEC BACN10HR6CS) (OPT 109LH9031-6 (V72962)) (OPT 67832AS624 (V56878)) (OPT BMN5024CPD3-6 (V97928)) (OPT BH00303-6 (V27238)) (OPT SL7059C624 (V11815)) (OPT BH003036 (V27238)) (OPT BMN5024CPD36 (V97928)) (OPT CR5908 (V62554)) (OPT H39953 (V15653)) (OPT SL705096 (V11815)) (OPT 109LH90316 (V72962)) (OPT 67832AS6 (V56878)) (OPT BH003026CS (V27238))	A-H	6
546	315T3539-2		..BUSHING	A,B	12
-546B	315T3593-5		..BUSHING- (PRE SB 767-78-0036)	C,D,F ,H	12
-546C	315T3593-6		..BUSHING	E,G	12
-546D	315T3593-6		..BUSHING- (POST SB 767-78-0036)	C,D,F ,H	12
549A	315T3511-3		..LINK ASSY-FAN DRAG (USED ON ITEMS 2P, 2T, 3R, 3S, 3X, 3Y, 3Z, 4E, 4F, 4G)	A-D,F ,H	6
-549B	315T3511-5		..LINK ASSY-FAN DRAG (USED ON ITEMS 2L, 2N, 2Q, 2S)	C-E,G	6

78-31-22

 ILLUSTRATED PARTS LIST
 01.1 Page 1082R
 Nov 01/03

FIG. & ITEM	PART NO.	AIRLINE PART NUMBER	NOMENCLATURE 1234567	EFF CODE	QTY PER ASSY
01-552A	VTB04550		...BEARING ASSY- (V06710) (SPEC S302T001-302A) (OPT P21630 (V57606) (OPT AMB6V4035 (V15860)) (FOR DETAILS SEE FIG. 80)	A-H	1
555	315T3517-1		...BUSHING- (USED ON ITEM 549A)	A-H	2
-555A	315T3517-5		...BUSHING- (USED ON ITEM 549B)	C-E,G	2
558A	315T3511-4		...LINK-DRAG	A-H	1
561	BACB30LJ4SU19		..BOLT- (USED ON ITEMS 3R, 3S)	A-D,F ,H	12
-561A	NAS6704U18		..BOLT- (USED ON ITEMS 2L, 2N, 2P, 2Q, 2S, 2T, 3X, 3Y, 3Z, 4E, 4F, 4G)	C-E,G	12
564	BACW10BP4ACU		..WASHER	A-H	36
567A	MS21043-4		..NUT- (USED ON ITEMS 3R, 3S)	A-D,F ,H	12
-567B	NAS1805-4		..NUT- (USED ON ITEMS 2L, 2N, 2P, 2Q, 2S, 2T, 3X, 3Y, 3Z, 4E, 4F, 4G)	C-E,G	12
570A	315T3508-87		..DOOR ASSY-BLOCKER (LIMITED) (USED ON ITEMS 3N, 3P) (PRE SB 767-78-0041) (FOR DETAILS SEE FIG. 3)	A	1
-570B	315T3508-89		..DOOR ASSY-BLOCKER (USED ON ITEM 3Q) (FOR DETAILS SEE FIG. 3) (PRE SB 767-78-0006)	A	1
-570E	315T3508-137		..DOOR ASSY-BLOCKER (USED ON ITEM 3R) (PRE SB 767-78-0006) (FOR DETAILS SEE FIG. 3)	C	1

78-31-22

FIG. & ITEM	PART NO.	AIRLINE PART NUMBER	NOMENCLATURE 1234567	EFF CODE	QTY PER ASSY
01- -570F	315T3508-138		..DOOR ASSY-BLOCKER (USED ON ITEM 3S) (PRE SB 767-78-0006) (FOR DETAILS SEE FIG. 3)	D	1
-570J	315T3001-17		..DOOR ASSY-BLOCKER (FOR DETAILS SEE FIG. 3)	F	1
-570K	315T3001-18		..DOOR ASSY-BLOCKER (FOR DETAILS SEE FIG. 3)	H	1
-570L	315T3508-147		..DOOR ASSY-BLOCKER (USED ON ITEM 3X) (PRE SB 767-78-0006) (FOR DETAILS SEE FIG. 3)	C	1
-570M	315T3508-148		..DOOR ASSY-BLOCKER (USED ON ITEM 3Y) (PRE SB 767-78-0006) (FOR DETAILS SEE FIG. 3)	D	1
-570N	315T3508-157		..DOOR ASSY-BLOCKER (S315T310-7 T/W 2 EA BUSHING 315T3593-6 AND 1 BOLT BACB30LE6-46 REPLACE 315T3508-157 T/W 2 BUSHINGS 315T3593-5 AND 1 BOLT BACB30LE6-44 ONE-WAY I/W) ((-161) 315T3508-161 T/W 2 BUSHINGS 315T3593-6 AND 1 BOLT BACB30LE6-46 REPLACE 315T3508-157 T/W 2 BUSHING 315T3593-5 AND 1 BOLT BACB30LE6-44 ONE-WAY I/W) (USED ON ITEMS 2N, 3Z, 4F) (FOR DETAILS SEE FIG. 3)	C	1

78-31-22

 ILLUSTRATED PARTS LIST
 01.101 Page 1082T
 Mar 01/05

315T3500
 315T3001
 315T4026 DASH NUMBERS
 LIMITED

 **BOEING**
 COMPONENT
 MAINTENANCE MANUAL

FIG. & ITEM	PART NO.	AIRLINE PART NUMBER	NOMENCLATURE 1234567	EFF CODE	QTY PER ASSY
01- -570P	315T3508-158		..DOOR ASSY-BLOCKER ((-8) S315T310-8 T/W 2 BUSHING 315T3593-6 AND 1 BOLT BACB30LE6-46 REPLACE 315T3508-158 T/W 2 BUSHINGS 315T3593-5 AND 1 BOLT BACB30LE6-44 ONE-WAY I/W) ((-162) 315T3508-162 T/W 2 BUSHINGS 315T3593-6 AND 1 BOLT BACB30LE6-46 REPLACE 315T3508-158 T/W 2 BUSHING 315T3593-5 AND 1 BOLT BACB30LE6-44 ONE-WAY I/W) (USED ON ITEMS 2R, 4E, 4G) (FOR DETAILS SEE FIG. 3)	D	1
-570Q	212-1001-01		DELETED		
-570R	212-1001-02		DELETED		
-570S	315T3508-163		..DOOR ASSY-BLOCKER ((-161) 315T3508-161 T/W 2 EACH BUSHINGS 315T3593-6 AND 1 EACH BOLT BACB30LE6-46 I/W 315T3508-163 T/W 2 EACH BUSHING 315T3593-5 AND 1 EACH BOLT BACB30LE6-44) ((-7) S315T310-7 T/W 2 BUSHINGS 315T3593-6 AND 1 EACH BOLT BACB30LE6-46 I/W 315T3508-163 T/W 2 BUSHING 315T3593-5 AND 1 EACH BOLT BACB30LE6-44) (USED ON ITEMS 2L, 2P) (FOR DETAILS SEE FIG. 3)	C	1

78-31-22

ILLUSTRATED PARTS LIST
 01.1 Page 1082U
 Nov 01/03



BOEING
 COMPONENT
 MAINTENANCE MANUAL

315T3500
 315T3001
 315T4026 DASH NUMBERS
 LIMITED

FIG. & ITEM	PART NO.	AIRLINE PART NUMBER	NOMENCLATURE 1234567	EFF CODE	QTY PER ASSY
01- -570T	315T3508-164		..DOOR ASSY-BLOCKER (S315T310-8 TOGETHER WITH 2 EACH 315T3593-6 BUSHING AND 1 EACH BACB30LE6-46 BOLT I/W 315T3508-164 TOGETHER WITH 2 EACH 315T3593-5 BUSHING AND 1 EACH BACB30LE6-44 BOLT) ((-162) 315T3508-162 T/W 2 EACH BUSHINGS 315T3593-6 AND 1 BOLT BACB30LE6-46 I/W 315T3508-164 T/W 2 EACH BUSHINGS 315T3593-5 AND 1 EACH BOLT BACB30LE6-44) (USED ON ITEMS 2Q, 2D) (FOR DETAILS SEE FIG. 3)	D	1
-570U	S315T310-7		DELETED		
-570V	S315T310-8		DELETED		
-570W	315T3508-87		..DOOR ASSY-BLOCKER (REWORK) (LIMITED) (USED ON ITEMS 3N, 3P) (POST SB 767-78-0041) (PRE SB 767-78-0006) (FOR DETAILS SEE FIG. 3)	A	1

78-31-22

ILLUSTRATED PARTS LIST
 01.1 Page 1082V
 Nov 01/03

315T3500
 315T3001
 315T4026 DASH NUMBERS
 LIMITED

 **BOEING**
 COMPONENT
 MAINTENANCE MANUAL

FIG. & ITEM	PART NO.	AIRLINE PART NUMBER	NOMENCLATURE 1234567	EFF CODE	QTY PER ASSY
01- -570X	315T3508-161		..DOOR ASSY-BLOCKER UPR ((-157) 315T3508-161 T/W 2 BUSHINGS 315T3593-6 AND 1 BOLT BACB3OLE6-46 REPLACE 315T3508-157 T/W 2 BUSHING 315T3593-5 AND 1 BOLT BACB3OLE6-44 ONE-WAY I/W) ((-163) 315T3508-161 T/W 2 EACH BUSHINGS 315T3593-6 AND 1 EACH BOLT BACB3OLE6-46 I/W 315T3508-163 T/W 2 EACH BUSHING 315T3593-5 AND 1 EACH BOLT BACB3OLE6-44) (OPT ITEM 571T) (USED ON ITEM 2M) (FOR DETAILS SEE FIG. 3)	E	1
-570Y	315T3508-162		..DOOR ASSY-BLOCKER UPR ((-158) 315T3508-162 T/W 2 BUSHINGS 315T3593-6 AND 1 BOLT BACB3OLE6-46 REPLACE 315T3508-158 T/W 2 BUSHING 315T3593-5 AND 1 BOLT BACB3OLE6-44 ONE-WAY I/W) ((-164) 315T3508-162 T/W 2 EACH BUSHINGS 315T3593-6 AND 1 BOLT BACB3OLE6-46 I/W 315T3508-164 T/W 2 EACH BUSHINGS 315T3593-5 AND 1 EACH BOLT BACB3OLE6-44) (OPT ITEM 571U) (USED ON ITEM 2R) (FOR DETAILS SEE FIG. 3)	G	1
-570Z	315T3508-87		..DOOR ASSY-BLOCKER (LIMITED) (USED ON ITEMS 3N, 3P) (PRE SB 767-78-0006) (FOR DETAILS SEE FIG. 3)	A	1

78-31-22

ILLUSTRATED PARTS LIST
 01.1 Page 1082W
 Nov 01/03

FIG. & ITEM	PART NO.	AIRLINE PART NUMBER	NOMENCLATURE 1234567	EFF CODE	QTY PER ASSY
01-571	015T0263-21		..DOOR ASSY-BLOCKER (LIMITED) (USED ON ITEMS 3N, 3P) (POST SB 767-78-0006) (PRE SB 767-78-0036) (FOR DETAILS SEE FIG. 3)	A	1
-571A	015T0263-23		..DOOR ASSY-BLOCKER (USED ON ITEM 3Q) (FOR DETAILS SEE FIG. 3) (POST SB 767-78-0006) (PRE SB 767-78-0036)	A	1
-571B	015T0263-27		..DOOR ASSY-BLOCKER (USED ON ITEM 3R) (POST SB 767-78-0006) (PRE SB 767-78-0036) (FOR DETAILS SEE FIG. 3)	C	1
-571C	015T0263-28		..DOOR ASSY-BLOCKER (USED ON ITEM 3S) (POST SB 767-78-0006) (PRE SB 767-78-0036) (FOR DETAILS SEE FIG. 3)	D	1
-571D	315T3508-157		..DOOR ASSY-BLOCKER (S315T310-7 T/W 2 EA BUSHING 315T3593-6 AND 1 BOLT BACB30LE6-46 REPLACE 315T3508-157 T/W 2 BUSHINGS 315T3593-5 AND 1 BOLT BACB30LE6-44 ONE-WAY I/W) ((-161) 315T3508-161 T/W 2 BUSHINGS 315T3593-6 AND 1 BOLT BACB30LE6-46 REPLACE 315T3508-157 T/W 2 BUSHING 315T3593-5 AND 1 BOLT BACB30LE6-44 ONE-WAY I/W) (USED ON ITEM 3X) (PRE SB 767-78-0006) (PRE SB 767-78-0036) (FOR DETAILS SEE FIG. 3)	C	1

78-31-22

 ILLUSTRATED PARTS LIST
 01.1 Page 1082X
 Nov 01/03

315T3500
 315T3001
 315T4026 DASH NUMBERS
 LIMITED

 **BOEING**
 COMPONENT
 MAINTENANCE MANUAL

FIG. & ITEM	PART NO.	AIRLINE PART NUMBER	NOMENCLATURE 1234567	EFF CODE	QTY PER ASSY
01- -571E	315T3508-158		..DOOR ASSY-BLOCKER ((-8) S315T310-8 T/W 2 BUSHING 315T3593-6 AND 1 BOLT BACB30LE6-46 REPLACE 315T3508-158 T/W 2 BUSHINGS 315T3593-5 AND 1 BOLT BACB30LE6-44 ONE-WAY I/W) ((-162) 315T3508-162 T/W 2 BUSHINGS 315T3593-6 AND 1 BOLT BACB30LE6-46 REPLACE 315T3508-158 T/W 2 BUSHING 315T3593-5 AND 1 BOLT BACB30LE6-44 ONE-WAY I/W) (USED ON ITEM 3Y) (PRE SB 767-78-0006) (PRE SB 767-78-0036) (FOR DETAILS SEE FIG. 3)	D	1
-571F	S315T310-19		DELETED		
-571G	315T3508-161		DELETED		
-571H	S315T310-20		DELETED		
-571J	315T3508-162		DELETED		
-571K	015T0530-17		..DOOR ASSY-BLOCKER (LIMITED) (USED ON ITEMS 3N, 3P) (POST SB 767-78-0036) (FOR DETAILS SEE FIG. 3)	A	1
-571L	015T0530-19		..DOOR ASSY-BLOCKER (USED ON ITEM 3Q) (POST SB 767-78-0036) (FOR DETAILS SEE FIG. 3)	A	1
-571M	015T0530-23		..DOOR ASSY-BLOCKER (USED ON ITEM 3R) (POST SB 767-78-0036) (FOR DETAILS SEE FIG. 3)	C	1
-571N	015T0530-24		..DOOR ASSY-BLOCKER (USED ON ITEM 3S) (POST SB 767-78-0036) (FOR DETAILS SEE FIG. 3)	D	1
-571P	015T0530-25		..DOOR ASSY-BLOCKER (USED ON ITEM 3X) (POST SB 767-78-0036) (FOR DETAILS SEE FIG. 3)	C	1

78-31-22

ILLUSTRATED PARTS LIST
 01.1 Page 1082Y
 Nov 01/03

FIG. & ITEM	PART NO.	AIRLINE PART NUMBER	NOMENCLATURE 1234567	EFF CODE	QTY PER ASSY
01- -571Q	015T0530-26		..DOOR ASSY-BLOCKER (USED ON ITEM 3Y) (POST SB 767-78-0036) (FOR DETAILS SEE FIG. 3)	D	1
-571R	212-1001-01		DELETED		
-571S	212-1001-02		DELETED		
-571T	21-1001-01		..DOOR ASSY-BLOCKER (S315T310-7 T/W 2 EA BUSHING 315T3593-6 AND 1 BOLT BACB30LE6-46 REPLACE 315T3508-157 T/W 2 BUSHINGS 315T3593-5 AND 1 BOLT BACB30LE6-44 ONE-WAY I/W) ((-7) S315T310-7 T/W 2 BUSHINGS 315T3593-6 AND AND 1 EACH BOLT BACB30LE6-46 I/W 315T3508-163 T/W 2 BUSHING 315T3593-5 AND 1 EACH BOLT BACB30LE6-44) (VK8856) (SPEC S315T310-7) (OPT ITEM 570X)	E	1
-571U	21-1001-02		..DOOR ASSY-BLOCKER ((-8) S315T310-8 T/W 2 BUSHING 315T3593-6 AND 1 BOLT BACB30LE6-46 REPLACE 315T3508-158 T/W 2 BUSHINGS 315T3593-5 AND 1 BOLT BACB30LE6-44 ONE-WAY I/W) (VK8856) (SPEC S315T310-8) (OPT ITEM 570Y)	G	1
-573A	315T3508-88		..DOOR ASSY-BLOCKER (LIMITED) (USED ON ITEMS 3J, 3K) (PRE SB 767-78-0041) (FOR DETAILS SEE FIG. 3)	B	1
-573B	315T3508-90		..DOOR ASSY-BLOCKER (USED ON ITEM 3M) (FOR DETAILS SEE FIG. 3) (PRE SB 767-78-0006)	B	1

78-31-22

 ILLUSTRATED PARTS LIST
 01.1 Page 1082Z
 Nov 01/03

FIG. & ITEM	PART NO.	AIRLINE PART NUMBER	NOMENCLATURE 1234567	EFF CODE	QTY PER ASSY
01- -573C	315T3508-88		..DOOR ASSY-BLOCKER (REWORK) (LIMITED) (USED ON ITEMS 3J, 3K) (POST SB 767-78-0041) (PRE SB 767-78-0006) (FOR DETAILS SEE FIG. 3)	B	1
-573D	315T3508-88		..DOOR ASSY-BLOCKER (LIMITED) (USED ON ITEMS 3J, 3K) (PRE SB 767-78-0006) (FOR DETAILS SEE FIG. 3)	B	1
-573E	015T0263-22		..DOOR ASSY-BLOCKER (LIMITED) (USED ON ITEMS 3J, 3K) (POST SB 767-78-0006) (PRE SB 767-78-0036) (FOR DETAILS SEE FIG. 3)	B	1
-573F	015T0263-24		..DOOR ASSY-BLOCKER (USED ON ITEM 3M) (FOR DETAILS SEE FIG. 3) (POST SB 767-78-0006) (PRE SB 767-78-0036)	B	1
-573G	015T0530-18		..DOOR ASSY-BLOCKER (LIMITED) (USED ON ITEMS 3J, 3K) (POST SB 767-78-0036) (FOR DETAILS SEE FIG. 3)	B	1
-573H	015T0530-20		..DOOR ASSY-BLOCKER (USED ON ITEM 3M) (FOR DETAILS SEE FIG. 3) (POST SB 767-78-0036)	B	1
576	315T3507-1		..DOOR ASSY-BLOCKER (LIMITED) (USED ON ITEMS 3N, 3P, 3J, 3K) (PRE SB 767-78-0041) (FOR DETAILS SEE FIG. 2)	A,B	4
-576A	315T3507-43		..DOOR ASSY-BLOCKER (USED ON ITEMS 3M, 3Q) (PRE SB 767-78-0006) (FOR DETAILS SEE FIG. 2)	A,B	4
-576B	315T3507-63		..DOOR ASSY-BLOCKER (USED ON ITEMS 3R, 3S) (PRE SB 767-78-0006) (FOR DETAILS SEE FIG. 2)	C,D	4

78-31-22

FIG. & ITEM	PART NO.	AIRLINE PART NUMBER	NOMENCLATURE 1234567	EFF CODE	QTY PER ASSY
01- -576C	315T3001-14		..DOOR ASSY-BLOCKER (FOR DETAILS SEE FIG. 2)	F,H	4
-576E	315T3507-65		..DOOR ASSY-BLOCKER (USED ON ITEMS 3X, 3Y) (PRE SB 767-78-0006) (FOR DETAILS SEE FIG. 2)	C,D	4
-576F	315T3507-71		..DOOR ASSY-BLOCKER (S315T310-6 T/W 2 EA 315T3593-6 BUSHING AND 1 EA BACB3OLE6-46 BOLT I/W 315T3507-71 T/W 2 EA 315T3593-5 BUSHING AND 1 EA BACB3OLE6-44 BOLT.) ((-73) 315T3507-73 T/W 2 EA BUSHINGS 315T3593-6 AND 1 EACH BOLT BACB3OLE6-46 I/W 315T3507-71 T/W 2 EACH BUSHING 315T3593-5 AND 1 EACH BOLT BACB3OLE6-44) (USED ON ITEMS 2L, 2N, 2Q, 2S, 2P, 2T, 3Z, 4E, 4F, 4G) (FOR DETAILS SEE FIG. 2)	C,D	4
-576G	212-0001-01		DELETED		
-576H	S315T310-6		DELETED		
-576J	315T3507-1		..DOOR ASSY-BLOCKER (REWORK) (LIMITED) (USED ON ITEMS 3N, 3P, 3J, 3K) (POST SB 767-78-0041) (PRE SB 767-78-0037) (FOR DETAILS SEE FIG. 2)	A,B	4
-576K	315T3507-73		..DOOR ASSY-BLOCKER COMMON ((-73) 315T3507-73 T/W 2 EACH BUSHINGS 315T3593-6 AND 1 EACH BOLT BACB3OLE6-46 I/W 315T3507-71 T/W 2 EACH BUSHING 315T3593-5 AND 1 EACH BOLT BACB3OLE6-44) (OPT ITEM 576Y) (USED ON ITEM 2M, 2R) (FOR DETAILS SEE FIG. 2)	E,G	4

78-31-22

 ILLUSTRATED PARTS LIST
 01.1 Page 1084
 Nov 01/03

315T3500
 315T3001
 315T4026 DASH NUMBERS
 LIMITED

 **BOEING**
 COMPONENT
 MAINTENANCE MANUAL

FIG. & ITEM	PART NO.	AIRLINE PART NUMBER	NOMENCLATURE 1234567	EFF CODE	QTY PER ASSY
01- -576L	315T3507-1		..DOOR ASSY-BLOCKER (LIMITED) (USED ON ITEMS 3N, 3P, 3J, 3K) (PRE SB 767-78-0006) (FOR DETAILS SEE FIG. 2)	A,B	4
-576M	015T0263-9		..DOOR ASSY-BLOCKER (LIMITED) (USED ON ITEMS 3N, 3P, 3J, 3K) (POST SB 767-78-0006) (PRE SB 767-78-0036) (FOR DETAILS SEE FIG. 2)	A,B	4
-576N	015T0263-10		..DOOR ASSY-BLOCKER (USED ON ITEMS 3M, 3Q) (POST SB 767-78-0006) (PRE SB 767-78-0036) (FOR DETAILS SEE FIG. 2)	A,B	4
-576P	015T0263-12		..DOOR ASSY-BLOCKER (USED ON ITEMS 3R, 3S) (POST SB 767-78-0006) (PRE SB 767-78-0036) (FOR DETAILS SEE FIG. 2)	C,D	4
-576Q	315T3507-71		..DOOR ASSY-BLOCKER (S315T310-6 T/W 2 EA 315T3593-6 BUSHING AND 1 EA BACB30LE6-46 BOLT I/W 315T3507-71 T/W 2 EA 315T3593-5 BUSHING AND 1 EA BACB30LE6-44 BOLT.) (((-73) 315T3507-73 T/W 2 EACH BUSHINGS 315T3593-6 AND 1 EACH BOLT BACB30LE6-46 I/W 315T3507-71 T/W 2 EACH BUSHING 315T3593-5 AND 1 EACH BOLT BACB30LE6-44) (USED ON ITEMS 3X, 3Y) (POST SB 767-78-0006) (PRE SB 767-78-0036) (FOR DETAILS SEE FIG. 2)	C,D	4
-576R	S315T310-18		DELETED		
-576S	315T3507-73		DELETED		

78-31-22

ILLUSTRATED PARTS LIST
 01.1 Page 1084A
 Nov 01/03

FIG. & ITEM	PART NO.	AIRLINE PART NUMBER	NOMENCLATURE 1234567	EFF CODE	QTY PER ASSY
01- -576T	015T0530-5		..DOOR ASSY-BLOCKER (LIMITED) (USED ON ITEMS 3N, 3P, 3J, 3K) (POST SB 767-78-0036) (FOR DETAILS SEE FIG. 2)	A,B	4
-576U	015T0530-6		..DOOR ASSY-BLOCKER (USED ON ITEMS 3M, 3Q) (POST SB 767-78-0036) (FOR DETAILS SEE FIG. 2)	A,B	4
-576V	015T0530-82		..DOOR ASSY-BLOCKER (USED ON ITEMS 3R, 3S) (POST SB 767-78-0036) (FOR DETAILS SEE FIG. 2)	C,D	4
-576W	015T0530-29		..DOOR ASSY-BLOCKER (USED ON ITEMS 3X, 3Y) (POST SB 767-78-0036) (FOR DETAILS SEE FIG. 2)	C,D	4
-576X -576Y	212-0001-01 21-0001-01		DELETED ..DOOR ASSY-BLOCKER (S315T310-6 T/W 2 EA 315T3593-6 BUSHING AND 1 EA BACB30LE6-46 BOLT I/W 315T3507-71 T/W 2 EA 315T3593-5 BUSHING AND 1 EA BACB30LE6-44 BOLT.) (VK8856) (SPEC S315T310-6) (OPT ITEM 576K)	E,G	4
579A	315T3509-45		..DOOR ASSY-BLOCKER (LIMITED) (USED ON ITEMS 3N, 3P) (PRE SB 767-78-0041) (FOR DETAILS SEE FIG. 4)	A	1
-579B	315T3509-45		..DOOR ASSY-BLOCKER (REWORK) (LIMITED) (USED ON ITEMS 3N, 3P) (POST SB 767-78-0041) (PRE SB 767-78-0006) (FOR DETAILS SEE FIG. 4)	A	1
-579C	315T3509-45		..DOOR ASSY-BLOCKER (LIMITED) (USED ON ITEMS 3N, 3P) (PRE SB 767-78-0006) (FOR DETAILS SEE FIG. 4)	A	1

78-31-22

 ILLUSTRATED PARTS LIST
 01.1 Page 1084B
 Nov 01/03

FIG. & ITEM	PART NO.	AIRLINE PART NUMBER	NOMENCLATURE 1234567	EFF CODE	QTY PER ASSY
01- -579D	015T0263-13		..DOOR ASSY-BLOCKER (LIMITED) (USED ON ITEMS 3N, 3P) (POST SB 767-78-0006) (PRE SB 767-78-0036) (FOR DETAILS SEE FIG. 4)	A	1
-579E	015T0530-9		..DOOR ASSY-BLOCKER (LIMITED) (USED ON ITEMS 3N, 3P) (POST SB 767-78-0036) (FOR DETAILS SEE FIG. 4)	A	1
-582A	315T3509-46		..DOOR ASSY-BLOCKER (LIMITED) (USED ON ITEMS 3J, 3K) (PRE SB 767-78-0041) (FOR DETAILS SEE FIG. 4)	B	1
-582B	315T3509-71		..DOOR ASSY-BLOCKER (USED ON ITEM 3Q) (PRE SB 767-78-0006) (FOR DETAILS SEE FIG. 4)	A	1
-582C	315T3509-72		..DOOR ASSY-BLOCKER (USED ON ITEM 3M) (PRE SB 767-78-0006) (FOR DETAILS SEE FIG. 4)	B	1
-582D	315T3509-93		..DOOR ASSY-BLOCKER (USED ON ITEM 3R) (PRE SB 767-78-0006) (FOR DETAILS SEE FIG. 4)	C	1
-582E	315T3509-94		..DOOR ASSY-BLOCKER (USED ON ITEM 3S) (PRE SB 767-78-0006) (FOR DETAILS SEE FIG. 4)	D	1
-582H	315T3001-21		..DOOR ASSY-BLOCKER (FOR DETAILS SEE FIG. 4)	F	1
-582J	315T3001-22		..DOOR ASSY-BLOCKER (FOR DETAILS SEE FIG. 4)	H	1
-582K	315T3509-99		..DOOR ASSY-BLOCKER (USED ON ITEM 3X) (PRE SB 767-78-0006) (FOR DETAILS SEE FIG. 4)	C	1
-582L	315T3509-100		..DOOR ASSY-BLOCKER (USED ON ITEM 3Y) (PRE SB 767-78-0006) (FOR DETAILS SEE FIG. 4)	D	1

78-31-22

FIG. & ITEM	PART NO.	AIRLINE PART NUMBER	NOMENCLATURE 1234567	EFF CODE	QTY PER ASSY
01- -582M	315T3509-109		..DOOR ASSY-BLOCKER (S315T310-9 T/W 2 EA 315T3593-6 BUSHING AND 1 EA BACB30LE6-46 BOLT REPLACES 315T3509-109 T/W 2 315T3593-5 BUSHING AND 1 EA BACB30LE6-44 BOLT ONE-WAY I/W) ((-113) 315T3509-113 T/W 2 BUSHINGS 315T3593-6 AND 1 BOLT BACB30LE6-46 REPLACE 315T3509-109 T/W 2 BUSHING 315T3593-5 AND 1 BOLT BACB30LE6-44 ONE-WAY I/W) (USED ON ITEMS 2N, 3Z, 4F) (FOR DETAILS SEE FIG. 4)	C	1
-582N	315T3509-110		..DOOR ASSY-BLOCKER (21-2001-02 T/W 2 EA 315T3593-6 BUSHING AND 1 EA (116) S315T310-10 T/W 2 EA BUSHINGS 315T3593-6 AND 1 BOLT BACB30LE6-46 REPLACE 315T3509-110 T/W 2 BUSHING 315T3593-5 AND 1 BOLT BACB30LE6-44 ONE- WAY I/W) ((-114) 315T3509-114 T/W 2 BUSHINGS 315T3593-6 AND 1 BOLT BACB30LE6-46 REPLACE 315T3509-110 T/W 2 BUSHING 315T3593-5 AND 1 BOLT BACB30LE6-44 ONE-WAY I/W) (USED ON ITEMS 2S, 4E, 4G) (FOR DETAILS SEE FIG. 4)	D	1
-582P	212-2001-01		DELETED		
-582Q	212-2001-02		DELETED		

78-31-22

 ILLUSTRATED PARTS LIST
 01.1 Page 1084D
 Nov 01/03

315T3500
 315T3001
 315T4026 DASH NUMBERS
 LIMITED

 **BOEING**
 COMPONENT
 MAINTENANCE MANUAL

FIG. & ITEM	PART NO.	AIRLINE PART NUMBER	NOMENCLATURE 1234567	EFF CODE	QTY PER ASSY
01- -582R	315T3509-115		..DOOR ASSY-BLOCKER (S315T310-9 TOGETHER WITH 2 EACH 315T3593-6 BUSHING AND 1 EACH BACB30LE6-46 BOLT I/W 315T3509-115 TOGETHER WITH 2 EACH 315T3593-5 BUSHING AND 1 EACH BACB30LE6-44 BOLT) ((-113) 315T3509-113 T/W 2 BUSHINGS 315T3593-6 AND 1 BOLT BACB30LE6-46 I/W 315T3509-115 T/W 2 BUSHINGS 315T3593-5 AND 1 BOLT BACB30LE6-44) (USED ON ITEMS 2L, 2P) (FOR DETAILS SEE FIG. 4)	C	1
-582S	315T3509-116		..DOOR ASSY-BLOCKER (21-2001-02 T/W 2 EACH 315T3593-6 BUSHING AND ONE EA BACB30LE6-46 BOLT I/W 315T3509-116 T/W 2 EA 315T3593-5 BUSHING AND ONE EA BACB30LE6-44 BOLT.) ((-114) 315T3509-114 T/W 2 EACH BUSHINGS 315T3593-6 AND 1 EACH BOLT BACB30LE6-46 I/W 315T3509-116 T/W 2 EACH BUSHINGS 315T3593-5 AND 1 EA BOLT BACB30LE6-44) (USED ON ITEMS 2Q, 2T) (FOR DETAILS SEE FIG. 4)	D	1
-582T	S315T310-9		DELETED		
-582U	S315T310-10		DELETED		
-582V	315T3509-46		..DOOR ASSY-BLOCKER (REWORK) (LIMITED) (USED ON ITEMS 3J, 3K) (POST SB 767-78-0041) (PRE SB 767-78-0006) (FOR DETAILS SEE FIG. 4)	B	1

78-31-22

ILLUSTRATED PARTS LIST
 01.1 Page 1084E
 Nov 01/03

FIG. & ITEM	PART NO.	AIRLINE PART NUMBER	NOMENCLATURE 1234567	EFF CODE	QTY PER ASSY
01- -582W	315T3509-113		..DOOR ASSY-BLOCKER LWR ((-113) 315T3509-113 T/W 2 BUSHINGS 315T3593-6 AND 1 BOLT BACB30LE6-46 I/W 315T3509-115 T/W 2 BUSHINGS 315T3593-5 AND 1 BOLT BACB30LE6-44) ((-113) 315T3509-113 T/W 2 BUSHINGS 315T3593-6 AND 1 BOLT BACB30LE6-46 REPLACE 315T3509-109 T/W 2 BUSHING 315T3593-5 AND 1 BOLT BACB30LE6-44 ONE-WAY I/W) (OPT ITEM 583U) (USED ON ITEM 2M) (FOR DETAILS SEE FIG. 4)	E	1
-582X	315T3509-114		..DOOR ASSY-BLOCKER LWR ((-110) 315T3509-114 T/W 2 BUSHINGS 315T3593-6 AND 1 BOLT BACB30LE6-46 REPLACE 315T3509-110 T/W 2 BUSHING 315T3593-5 AND 1 BOLT BACB30LE6-44 ONE-WAY I/W) ((-116) 315T3509-114 T/W 2 EACH BUSHINGS 315T3593-6 AND 1 EACH BOLT BACB30LE6-46 I/W 315T3509-116 T/W 2 EACH BUSHING 315T3593-5 AND 1 EACH BOLT BACB30LE6-44) (OPT ITEM 583V) (USED ON ITEM 2R) (FOR DETAILS SEE FIG. 4)	G	1
-582Y	315T3509-46		..DOOR ASSY-BLOCKER (LIMITED) (USED ON ITEMS 3J, 3K) (PRE SB 767-78-0006) (FOR DETAILS SEE FIG. 4)	B	1

78-31-22

 ILLUSTRATED PARTS LIST
 01.1 Page 1084F
 Nov 01/03

FIG. & ITEM	PART NO.	AIRLINE PART NUMBER	NOMENCLATURE 1234567	EFF CODE	QTY PER ASSY
01- -582Z	015T0263-14		..DOOR ASSY-BLOCKER (LIMITED) (USED ON ITEMS 3J, 3K) (POST SB 767-78-0006) (PRE SB 767-78-0036) (FOR DETAILS SEE FIG. 4)	B	1
-583	015T0263-15		..DOOR ASSY-BLOCKER (USED ON ITEM 3Q) (POST SB 767-78-0006) (PRE SB 767-78-0036) (FOR DETAILS SEE FIG. 4)	A	1
-583A	015T0263-16		..DOOR ASSY-BLOCKER (USED ON ITEM 3M) (POST SB 767-78-0006) (PRE SB 767-78-0036) (FOR DETAILS SEE FIG. 4)	B	1
-583B	015T0263-19		..DOOR ASSY-BLOCKER (USED ON ITEM 3R) (POST SB 767-78-0006) (PRE SB 767-78-0036) (FOR DETAILS SEE FIG. 4)	C	1
-583C	015T0263-20		..DOOR ASSY-BLOCKER (USED ON ITEM 3S) (POST SB 767-78-0006) (PRE SB 767-78-0036) (FOR DETAILS SEE FIG. 4)	D	1
-583D	315T3509-109		..DOOR ASSY-BLOCKER (S315T310-9 T/W 2 EA 315T3593-6 BUSHING AND 1 EA BACB30LE6-46 BOLT REPLACES 315T3509-109 T/W 2 315T3593-5 BUSHING AND 1 EA BACB30LE6-44 BOLT ONE-WAY I/W) ((-113) 315T3509-113 T/W 2 BUSHINGS 315T3593-6 AND 1 BOLT BACB30LE6-46 REPLACE 315T3509-109 T/W 2 BUSHING 315T3593-5 AND 1 BOLT BACB30LE6-44 ONE-WAY I/W) (USED ON ITEM 3X) (POST SB 767-78-0006) (PRE SB 767-78-0036) (FOR DETAILS SEE FIG. 4)	C	1

78-31-22

FIG. & ITEM	PART NO.	AIRLINE PART NUMBER	NOMENCLATURE 1234567	EFF CODE	QTY PER ASSY
01- -583E	315T3509-110		..DOOR ASSY-BLOCKER ((-114) 315T3509-114 T/W 2 BUSHINGS 315T3593-6 AND 1 BOLT BACB30LE6-46 REPLACE 315T3509-110 T/W 2 BUSHING 315T3593-5 AND 1 BOLT BACB30LE6-44 ONE-WAY I/W) (21-2001-02 T/W 2 EA 315T3593-6 BUSHING AND 1 EA (116) S315T310-10 T/W 2 EA BUSHINGS 315T3593-6 AND 1 BOLT BACB30LE6-46 REPLACE 315T3509-110 T/W 2 BUSHING 315T3593-5 AND 1 BOLT BACB30LE6-44 ONE-WAY I/W) (USED ON ITEM 3Y) (POST SB 767-78-0006) (PRE SB 767-78-0036) (FOR DETAILS SEE FIG. 4)	D	1
-583F	S315T310-21		DELETED		
-583G	315T3509-113		DELETED		
-583H	S315T310-22		DELETED		
-583J	315T3509-114		DELETED		
-583K	015T0530-10		..DOOR ASSY-BLOCKER (LIMITED) (USED ON ITEMS 3J, 3K) (POST SB 767-78-0036) (FOR DETAILS SEE FIG. 4)	B	1
-583L	015T0530-11		..DOOR ASSY-BLOCKER (USED ON ITEM 3Q) (POST SB 767-78-0036) (FOR DETAILS SEE FIG. 4)	A	1
-583M	015T0350-12		..DOOR ASSY-BLOCKER (USED ON ITEM 3M) (POST SB 767-78-0036) (FOR DETAILS SEE FIG. 4)	B	1
-583P	015T0263-16		..DOOR ASSY-BLOCKER (USED ON ITEM 3S) (POST SB 767-78-0036) (FOR DETAILS SEE FIG. 4)	D	1

78-31-22

 ILLUSTRATED PARTS LIST
 01.1 Page 1084H
 Nov 01/03

315T3500
 315T3001
 315T4026 DASH NUMBERS
 LIMITED

 **BOEING**
 COMPONENT
 MAINTENANCE MANUAL

FIG. & ITEM	PART NO.	AIRLINE PART NUMBER	NOMENCLATURE 1234567	EFF CODE	QTY PER ASSY
01- -583Q	015T0530-27		..DOOR ASSY-BLOCKER (USED ON ITEM 3X) (POST SB 767-78-0036) (FOR DETAILS SEE FIG. 4)	C	1
-583R	015T0530-28		..DOOR ASSY-BLOCKER (USED ON ITEM 3Y) (POST SB 767-78-0036) (FOR DETAILS SEE FIG. 4)	D	1
-583S	212-2001-01		DELETED		
-583T	212-2001-02		DELETED		
-583U	21-2001-01		..DOOR ASSY-BLOCKER (S315T310-9 T/W 2 EA 315T3593-6 BUSHING AND 1 EA BACB30LE6-46 BOLT REPLACES 315T3509-109 T/W 2 315T3593-5 BUSHING AND 1 EA BACB30LE6-44 BOLT ONE-WAY I/W) (VK8856) (SPEC S315T310-9) (OPT ITEM 582W)	E	1
-583V	21-2001-02		..DOOR ASSY-BLOCKER (21-2001-02 T/W 2 EA 315T3593-6 BUSHING AND 1 EA (116) S315T310-10 S315T310-10 T/W 2 EA BUSHINGS 315T3593-6 AND 1 BOLT BACB30LE6-46 REPLACE 315T3509-110 T/W 2 BUSHING 315T3593-5 AND 1 BOLT BACB30LE6-44 ONE-WAY I/W) (V86831) (SPEC S315T310-10) (OPT ITEM 582X)	G	1
585	BACB30NU3K4		..BOLT- (USED ON ITEMS 3R, 3S)	A-D, F, H	12
-585A	BACB30VF3K4		..BOLT- (USED ON ITEMS 2L, 2N, 2P, 2Q, 2S, 2T, 3X, 3Y, 3Z, 4E, 4F, 4G)	A-H	12
588	BACW10P63AL		..WASHER	A-H	AR

78-31-22

ILLUSTRATED PARTS LIST
 01.1 Page 1084I
 Nov 01/03

FIG. & ITEM	PART NO.	AIRLINE PART NUMBER	NOMENCLATURE 1234567	EFF CODE	QTY PER ASSY
01-591	BRF200C3M		..NUTPLATE- (V52828) (SPEC BACN10JR3CFM) (OPT F5001-3BAC (V15653)) (OPT NS103203SE02 (V80539)) (OPT T8092C1032 (V11815)) (OPT VN152D1-02 (V92215)) (OPT 109F9201-3 (V72962)) ATTACHING PARTS	A-H	12
594	BACR15BA3AD		..RIVET- (SIZE DETERMINE ON INST) -----*-----	A-H	24
597	315T3557-1		..BUMPER ASSY-BLOCKER DOOR	A-H	12
600	315T3557-2		...WASHER- (OPT ITEM 600A)	A-H	1
-600A	BACW10EH10AY		...WASHER- (OPT ITEM 600)	A-H	1
603	315T3557-3		...PAD	A-H	1
612	BACB30MS3K19		..BOLT	A-H	15
615	315T3521-1		..PANEL ASSY-ACOUSTIC (OPT ITEM 615A) (USED ON ITEMS 3R, 3S, 3X, 3Y, 3Z, 4E)	A-D,F ,H	5
-615A	315T3521-10		..PANEL ASSY-ACOUSTIC (OPT ITEM 615) (USED ON ITEMS 3R, 3S, 3X, 3Y, 3Z, 4E)	A-D,F ,H	5
-615C	315T3518-1		..PANEL-DIAPH WEDGE (USED ON ITEMS 2L, 2N, 2P, 2Q, 2S, 2T, 4F, 4G)	C-E,G	5
618	315T3557-4		..PAD	A-H	AR
621	315T3557-5		..PAD	A-H	AR
625	315T3501-1		..DIAPHRAGM ASSY-HINGE SPRT (USED ON ITEM 3P) (FOR DETAILS SEE FIG. 5)	A	1
-630	315T3501-2		..DIAPHRAGM ASSY-HINGE SPRT (USED ON ITEM 3J) (FOR DETAILS SEE FIG. 5)	B	1

78-31-22

 ILLUSTRATED PARTS LIST
 01.1 Page 1084J
 Nov 01/03

315T3500
 315T3001
 315T4026 DASH NUMBERS
 LIMITED

 **BOEING**
 COMPONENT
 MAINTENANCE MANUAL

FIG. & ITEM	PART NO.	AIRLINE PART NUMBER	NOMENCLATURE 1234567	EFF CODE	QTY PER ASSY
01- -635	315T3501-11		..DIAPHRAGM ASSY-HINGE SPRT (FOR DETAILS SEE FIG. 5) (USED ON ITEM 3N)	A	1
-640	315T3501-12		..DIAPHRAGM ASSY-HINGE SPRT (FOR DETAILS SEE FIG. 5) (USED ON ITEM 3K)	B	1
-640A	315T3501-14		..DIAPHRAGM ASSY-HINGE SPRT (USED ON ITEM 3M)	B,D,G ,H	1
-642	315T3501-13		..DIAPHRAGM ASSY-HINGE SPRT (USED ON ITEM 3Q)	A,C,E ,F	1
-645	315T3501-15		...BULKHEAD ASSY-HINGE (USED ON ITEM 642) (FOR DETAILS SEE FIG. 6)	A,C,E ,F	1
-650	315T3501-16		...BULKHEAD ASSY-HINGE (USED ON ITEM 640A) (FOR DETAILS SEE FIG. 6)	B,D,G ,H	1
-655	315T3501-5001		...DIAPHRAGM ASSY-HINGE (LIMITED) (USED ON ITEM 642) (FOR DETAILS SEE FIG. 5)	A,C,E ,F	1
-655A	315T3501-5003		...DIAPHRAGM ASSY-HINGE (LIMITED) (USED ON ITEM 642) (FOR DETAILS SEE FIG. 5)	A,C,E ,F	1
-655B	315T3501-5027		...DIAPHRAGM ASSY-HINGE (LIMITED) (USED ON ITEM 642) (FOR DETAILS SEE FIG. 5)	A,C,E ,F	1
-655C	315T3501-5029		...DIAPHRAGM ASSY-HINGE (LIMITED) (USED ON ITEM 642) (FOR DETAILS SEE FIG. 5)	A,C,E ,F	1
-655D	315T3501-5033		...DIAPHRAGM ASSY-HINGE (LIMITED) (USED ON ITEM 642) (FOR DETAILS SEE FIG. 5)	A,C,E ,F	1
-655E	315T3501-5035		...DIAPHRAGM ASSY-HINGE (LIMITED) (USED ON ITEM 642) (FOR DETAILS SEE FIG. 5)	A,C,E ,F	1
-655F	315T3501-5037		...DIAPHRAGM ASSY-HINGE (LIMITED) (USED ON ITEM 642) (FOR DETAILS SEE FIG. 5)	A,C,E ,F	1

78-31-22

ILLUSTRATED PARTS LIST
 01.1 Page 1084K
 Nov 01/03

FIG. & ITEM	PART NO.	AIRLINE PART NUMBER	NOMENCLATURE 1234567	EFF CODE	QTY PER ASSY
01- -655G	315T3501-5049		...DIAPHRAGM ASSY-HINGE (LIMITED) (USED ON ITEM 642) (FOR DETAILS SEE FIG. 5)	A,C,E ,F	1
-655H	315T3501-5057		...DIAPHRAGM ASSY-HINGE (LIMITED) (USED ON ITEM 642) (FOR DETAILS SEE FIG. 5)	A,C,E ,F	1
-655J	315T3501-5059		...DIAPHRAGM ASSY-HINGE (LIMITED) (USED ON ITEM 642) (FOR DETAILS SEE FIG. 5)	A,C,E ,F	1
-655K	315T3501-5063		...DIAPHRAGM ASSY-HINGE (LIMITED) (USED ON ITEM 642) (FOR DETAILS SEE FIG. 5)	A,C,E ,F	1
-660	315T3501-5002		...DIAPHRAGM ASSY-HINGE (LIMITED) (USED ON ITEM 640A) (FOR DETAILS SEE FIG. 5)	B,D,G ,H	1
-660A	315T3501-5004		...DIAPHRAGM ASSY-HINGE (LIMITED) (USED ON ITEM 640A) (FOR DETAILS SEE FIG. 5)	B,D,G ,H	1
-660B	315T3501-5028		...DIAPHRAGM ASSY-HINGE (LIMITED) (USED ON ITEM 640A) (FOR DETAILS SEE FIG. 5)	B,D,G ,H	1
-660C	315T3501-5030		...DIAPHRAGM ASSY-HINGE (LIMITED) (USED ON ITEM 640A) (FOR DETAILS SEE FIG. 5)	B,D,G ,H	1
-660D	315T3501-5034		...DIAPHRAGM ASSY-HINGE (LIMITED) (USED ON ITEM 640A) (FOR DETAILS SEE FIG. 5)	B,D,G ,H	1
-660E	315T3501-5036		...DIAPHRAGM ASSY-HINGE (LIMITED) (USED ON ITEM 640A) (FOR DETAILS SEE FIG. 5)	B,D,G ,H	1
-660F	315T3501-5038		...DIAPHRAGM ASSY-HINGE (LIMITED) (USED ON ITEM 640A) (FOR DETAILS SEE FIG. 5)	B,D,G ,H	1

78-31-22

 ILLUSTRATED PARTS LIST
 01.1 Page 1084L
 Nov 01/03

315T3500
 315T3001
 315T4026 DASH NUMBERS
 LIMITED

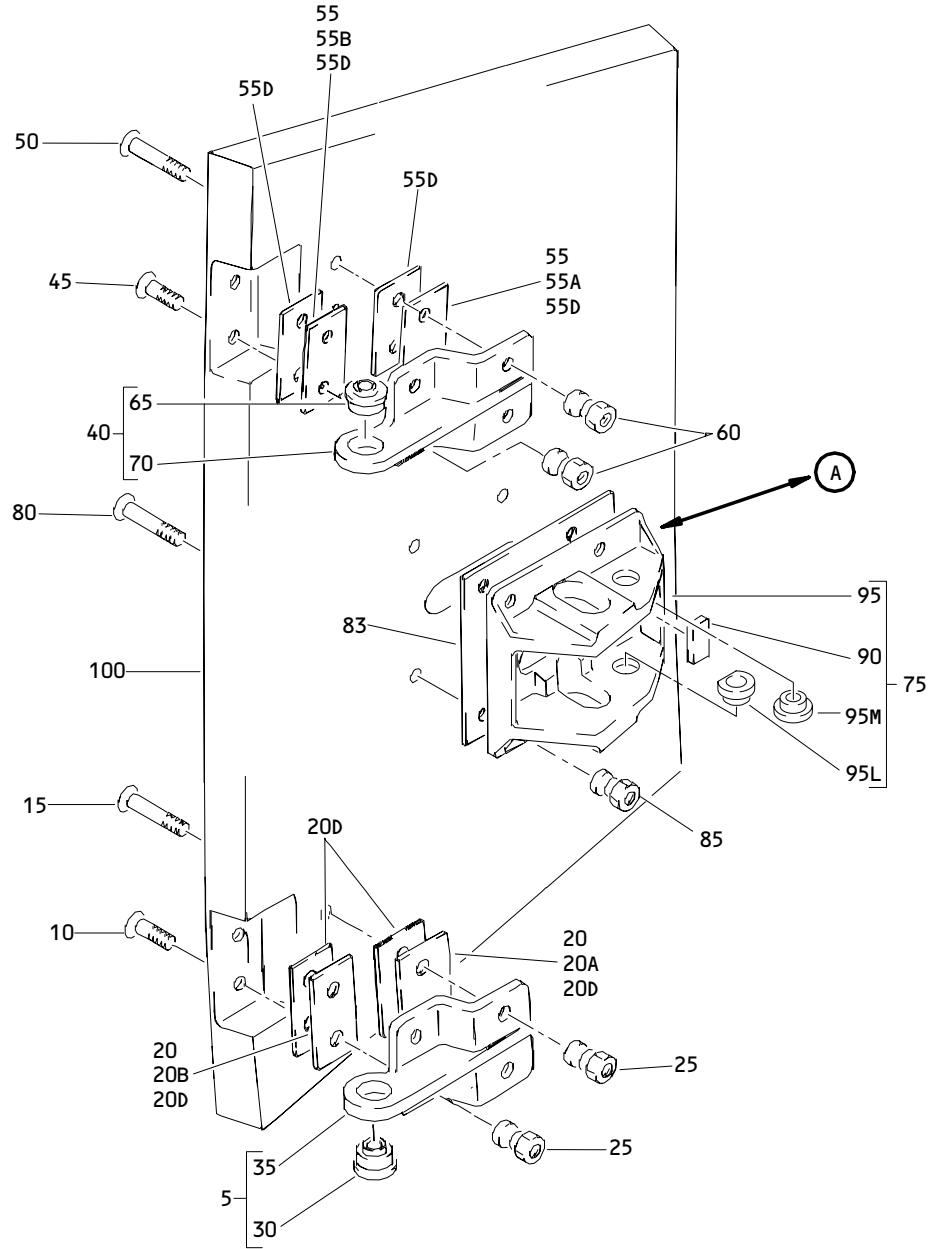
 **BOEING**
 COMPONENT
 MAINTENANCE MANUAL

FIG. & ITEM	PART NO.	AIRLINE PART NUMBER	NOMENCLATURE 1234567	EFF CODE	QTY PER ASSY
01- -660G	315T3501-5050		...DIAPHRAGM ASSY-HINGE (LIMITED) (USED ON ITEM 640A) (FOR DETAILS SEE FIG. 5)	B,D,G ,H	1
-660H	315T3501-5058		...DIAPHRAGM ASSY-HINGE (LIMITED) (USED ON ITEM 640A) (FOR DETAILS SEE FIG. 5)	B,D,G ,H	1
-660J	315T3501-5060		...DIAPHRAGM ASSY-HINGE (LIMITED) (USED ON ITEM 640A) (FOR DETAILS SEE FIG. 5)	B,D,G ,H	1
-660K	315T3501-5064		...DIAPHRAGM ASSY-HINGE (LIMITED) (USED ON ITEM 640A) (FOR DETAILS SEE FIG. 5)	B,D,G ,H	1
R			INSTALLATION PARTS	L-T	
R 800	315T4027-1		INSERT ASSY	L-T	1
R 805	315T4027-4		.FLANGE-INNER	L-T	1
R 810	315T4027-2		.FLANGE ASSY-OUTER	L-T	1
R 815	MS21209F8-10L		..INSERT- (OPT ITEMS 815A, 815B)	L-T	1
R -815A	MS21209F8-10		..INSERT- (OPT ITEMS 815, 815B)	L-T	1
R -815B	MS21209F8-10P		..INSERT- (OPT ITEMS 815, 815A)	L-T	1
R 820	315T4027-3		..FLANGE	L-T	1

- Item Not Illustrated

78-31-22

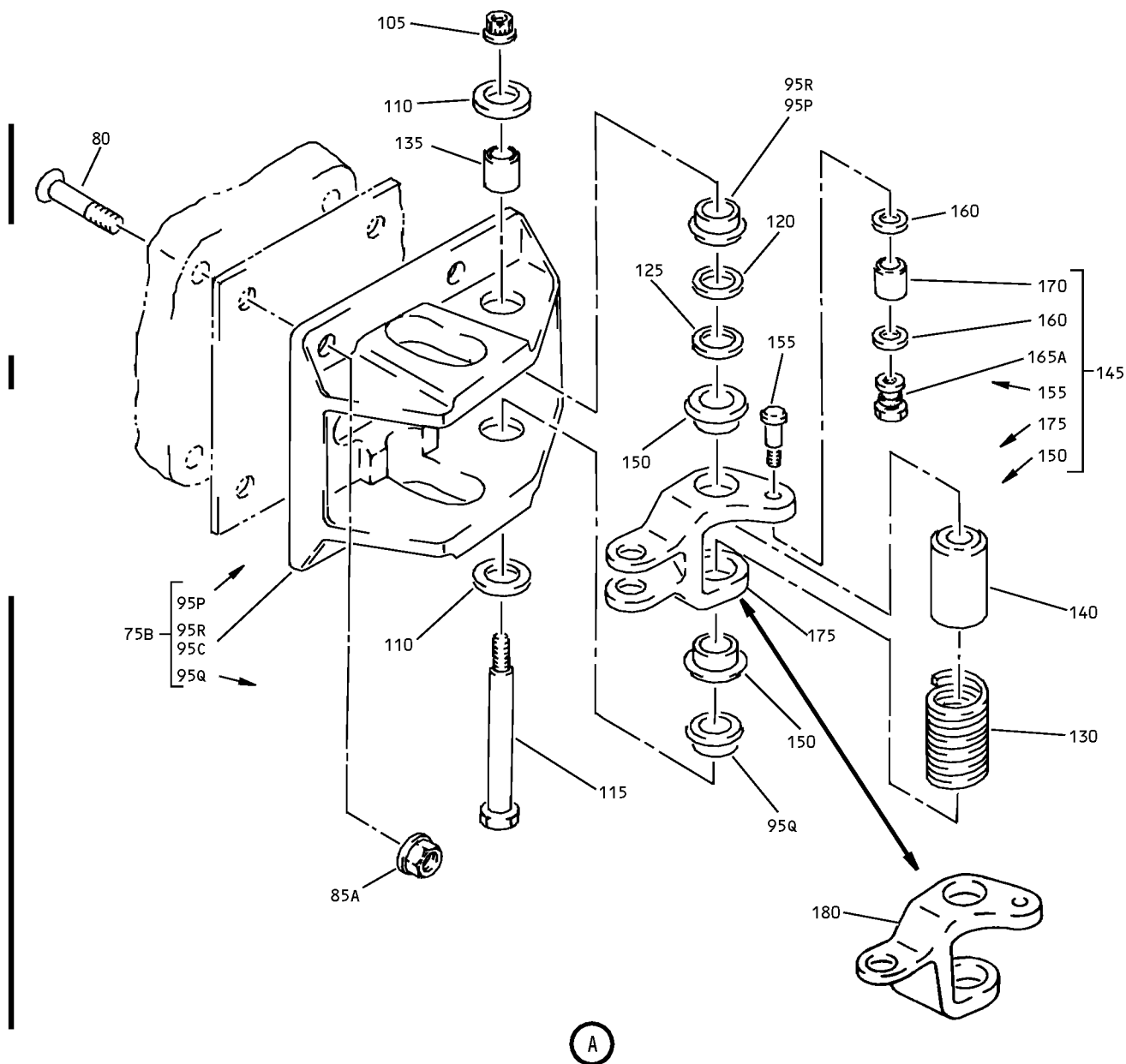
ILLUSTRATED PARTS LIST
 01.1 Page 1084M
 Nov 01/03



Thrust Reverser Common Blocker Door Assembly
 Figure 2 (Sheet 1)

78-31-22

ILLUSTRATED PARTS LIST
 01.1 Page 10840
 Nov 01/03



Thrust Reverser Common Blocker Door Assembly
 Figure 2 (Sheet 2)

78-31-22

ILLUSTRATED PARTS LIST
 01.1 Page 1084P
 Nov 01/03

315T3500
 315T3001
 315T4026 DASH NUMBERS
 LIMITED

 **BOEING**
 COMPONENT
 MAINTENANCE MANUAL

FIG. & ITEM	PART NO.	AIRLINE PART NUMBER	NOMENCLATURE 1234567	EFF CODE	QTY PER ASSY
02- -1	315T3507-1		DOOR ASSY-THRUST REVERSER COMMON BLOCKER (LIMITED) (PRE SB 767-78-0041)	A,B	RF
-1A	315T3507-43		DOOR ASSY-THRUST REVERSER COMMON BLOCKER (PRE SB 767-78-0006)	A,B	RF
-1B	315T3507-63		DOOR ASSY-THRUST REVERSER COMMON BLOCKER (PRE SB 767-78-0006)	C,D	RF
-1C	315T3001-14		DOOR ASSY-THRUST REVERSER COMMON BLOCKER (REWORK)	F,H	RF
-1E	315T3507-65		DOOR ASSY-THRUST REVERSER COMMON BLOCKER (PRE SB 767-78-0006)	C,D	RF
-1F	315T3507-71		DOOR ASSY-THRUST REVERSER COMMON BLOCKER	C,D	RF
-1G	315T3507-72		DOOR ASSY-THRUST REVERSER COMMON BLOCKER (PRE SB 767-78-0036)	J,K	RF
-1H	315T3507-1		DOOR ASSY-THRUST REVERSER COMMON BLOCKER (REWORK) (LIMITED) (POST SB 767-78-0041) (PRE SB 767-78-0006)	A,B	RF
-1J	315T3507-73		DOOR ASSY-THRUST REVERSER COMMON BLOCKER (POST SB 767-78-0036)	E,G	RF
-1K	315T3507-1		DOOR ASSY-THRUST REVERSER COMMON BLOCKER (LIMITED) (PRE SB 767-78-0006)	A,B	RF
-1L	015T0263-9		DOOR ASSY-THRUST REVERSER COMMON BLOCKER (LIMITED) (POST SB 767-78-0006) (PRE SB 767-78-0036)	A,B	RF
-1M	015T0263-10		DOOR ASSY-THRUST REVERSER COMMON BLOCKER (POST SB 767-78-0006) (PRE SB 767-78-0036)	A,B	RF
-1N	015T0263-12		DOOR ASSY-THRUST REVERSER COMMON BLOCKER (POST SB 767-78-0006) (PRE SB 767-78-0036)	C,D	RF

78-31-22

ILLUSTRATED PARTS LIST
 01.1 Page 1084Q
 Nov 01/03

FIG. & ITEM	PART NO.	AIRLINE PART NUMBER	NOMENCLATURE 1234567	EFF CODE	QTY PER ASSY
02- -1P	015T0263-71		DOOR ASSY-THRUST REVERSER COMMON BLOCKER (POST SB 767-78-0006) (PRE SB 767-78-0036)	C,D	RF
-1Q	015T0530-5		DOOR ASSY-THRUST REVERSER COMMON BLOCKER (LIMITED) (POST SB 767-78-0036)	A,B	RF
-1R	015T0263-6		FITTING ASSY-THRUST REVERSE COMMON BLOCKER (POST SB 767-78-0036)	A,B	RF
-1S	015T0530-8		DOOR ASSY-THRUST REVERSER COMMON BLOCKER (POST SB 767-78-0036)	C,D	RF
-1T	015T0530-29		DOOR ASSY-THRUST REVERSER COMMON BLOCKER (POST SB 767-78-0036)	C,D	RF
5	315T3580-8		.FITTING ASSY-HINGE (OPT ITEM 5A) (USED ON ITEMS 1, 1H, 1K)	A,B	1
-5A	315T3580-12		.FITTING ASSY-HINGE (OPT ITEM 5) (USED ON ITEMS 1, 1H, 1K)	A,B	1
-5M	315T3580-12		.FITTING ASSY-HINGE (USED ON ITEMS 1A, 1B, 1E)	A-D,F ,H	1
-5N	315T3580-16		.FITTING ASSY-HINGE (OPT ITEM 5P) (USED ON ITEMS 1F, 1P)	C-E,G ,J,K	1
-5P	315T3580-12		.FITTING ASSY-HINGE (OPT ITEM 5N) (USED ON ITEMS 1F, 1P)	C-E,G ,J,K	1

78-31-22

 ILLUSTRATED PARTS LIST
 01.1 Page 1084R
 Nov 01/03

FIG. & ITEM	PART NO.	AIRLINE PART NUMBER	NOMENCLATURE 1234567	EFF CODE	QTY PER ASSY
02- 10	HL523AZ6-5		ATTACHING PARTS .BOLT- (V56878) (SPEC BACB30NZ6K5) (OPT HL523AZ6-5 (V92215)) (OPT L804-6K5 (V06725)) (OPT HL523AZ6-5 (V06725)) (OPT HL523AZ6-5 (V73197)) (OPT HL523AZ6-5 (V73197)) (OPT HL523AZ6-5 (V60516)) (OPT HL523AZ6-5 (VOPTK6))	A-K	2
15	HL523AZ6-18		.BOLT- (V56878) (SPEC BACB30NZ6K18) (OPT HL523AZ6-18 (V06725)) (OPT L804-6K18 (V06725)) (OPT HL523AZ6-18 (V92215)) (OPT HL523AZ6-18 (V73197)) (OPT HL523AZ6-18 (V97928)) (OPT HL523AZ6-18 (VOPTK6)) (OPT HL523AZ6-18 (V60516))	A-K	2
20	315T3507-20		.SHIM-UPR (QTY 4 ITEM 20E OPT TO QTY 2 ITEM 20) (USED ON ITEMS 1, 1H, 1K)	A,B	AR
20A	BACS40R11C22F		.SHIM- (QTY 4 ITEM 20D OPT TO QTY 1 ITEM 20A AND QTY 1 ITEM 20B) (USED ON ITEM 1A)	A-K	AR

78-31-22

FIG. & ITEM	PART NO.	AIRLINE PART NUMBER	NOMENCLATURE 1234567	EFF CODE	QTY PER ASSY
02-20B	BACS40R10C22F		.SHIM- (QTY 4 ITEM 20D OPT TO QTY 1 ITEM 20A AND QTY 1 ITEM 20B) (USED ON ITEM 1A)	A-K	AR
20D	BACS40R10C10F		.SHIM- (QTY 4 ITEM 20D OPT TO QTY 1 ITEM 20A AND QTY 1 ITEM 20B) (USED ON ITEM 1A)	A-K	AR
-20E	BACS40R10C10F		.SHIM- (QTY 4 ITEM 20E OPT TO QTY 2 ITEM 20) (USED ON ITEMS 1, 1H, 1K)	A,B	AR
25	HL79-6		.COLLAR- (V5M902) (SPEC BACC30M6) (OPT HL79-6 (V73197)) (OPT HL79-6 (V92215)) (OPT 66014-6 (V56878)) (OPT HL79-6 (V56878))	A-K	4
30	VTB04540		-----*----- ..BEARING ASSY- (V06710) (SPEC S302T001-301A) (OPT P21620 (V57606)) (OPT USB4-136 (V02758)) (FOR DETAILS SEE FIG. 81)	A-K	1
-30B	USB4-136		..BEARING ASSY- (V02758) (SPEC S302T001-301A) (OPT P21620 (V57606)) (OPT VTB04540 (V06710))	A-K	1
35	315T3580-10		..HINGE- (USED ON ITEM 5)	A,B	1

78-31-22

 ILLUSTRATED PARTS LIST
 01.1 Page 1084T
 Nov 01/03

FIG. & ITEM	PART NO.	AIRLINE PART NUMBER	NOMENCLATURE 1234567	EFF CODE	QTY PER ASSY
02- -35A	315T3580-14		..HINGE- (USED ON ITEMS 5A, 5M, 5P)	A-K	1
-35B	315T3580-18		..HINGE- (USED ON ITEM 5N)	C-E,G ,J,K	1
40	315T3580-7		.FITTING ASSY-HINGE (OPT ITEM 40A) (USED ON ITEMS 1, 1H, 1K)	A,B	1
-40A	315T3580-11		.FITTING ASSY-HINGE (OPT ITEM 40) (USED ON ITEMS 1, 1H, 1K)	A,B	1
-40M	315T3580-11		.FITTING ASSY-HINGE (USED ON ITEM 1A)	A-D,F ,H	1
-40N	315T3580-15		.FITTING ASSY-HINGE (OPT ITEM 40P) (USED ON ITEM 1F, 1P)	C-E,G ,J,K	1
-40P	315T3580-11		.FITTING ASSY-HINGE (OPT ITEM 40N) (USED ON ITEM 1F, 1P)	C-E,G ,J,K	1
45	HL523AZ6-5		ATTACHING PARTS .BOLT- (V56878) (SPEC BACB30NZ6K5) (OPT HL523AZ6-5 (V92215)) (OPT L804-6K5 (V06725)) (OPT HL523AZ6-5 (V06725)) (OPT HL523AZ6-5 (V73197)) (OPT HL523AZ6-5 (V73197)) (OPT HL523AZ6-5 (V60516)) (OPT HL523AZ6-5 (VOPTK6))	A-K	2

78-31-22

FIG. & ITEM	PART NO.	AIRLINE PART NUMBER	NOMENCLATURE 1234567	EFF CODE	QTY PER ASSY
02-50	HL523AZ6-18		.BOLT- (V56878) (SPEC BACB30NZ6K18) (OPT HL523AZ6-18 (V06725)) (OPT L804-6K18 (V06725)) (OPT HL523AZ6-18 (V92215)) (OPT HL523AZ6-18 (V73197)) (OPT HL523AZ6-18 (V97928)) (OPT HL523AZ6-18 (V0PTK6)) (OPT HL523AZ6-18 (V60516))	A-K	2
55	315T3507-19		.SHIM-UPR (QTY 4 ITEM 55E OPT TO QTY 2 ITEM 55) (USED ON ITEMS 1, 1H, 1K)	A,B	AR
55A	BACS40R11C22F		.SHIM- (QTY 4 ITEM 55D OPT TO QTY 1 ITEM 55A AND QTY 1 ITEM 55B) (USED ON ITEM 1A)	A-K	AR
55B	BACS40R10C22F		.SHIM- (QTY 4 ITEM 55D OPT TO QTY 1 ITEM 55A AND QTY 1 ITEM 55B) (USED ON ITEM 1A)	A-K	AR
55C	BACS40R10C10F		DELETED		
55D	BACS40R10C10F		.SHIM- (QTY 4 ITEM 55D OPT TO QTY 1 ITEM 55A AND QTY 1 ITEM 55B) (USED ON ITEM 1A)	A-K	AR
-55E	BACS40R10C10F		.SHIM- (QTY 4 ITEM 55E OPT TO QTY 2 ITEM 55) (USED ON ITEMS 1, 1H, 1K)	A,B	AR

78-31-22

 ILLUSTRATED PARTS LIST
 01.1 Page 1084V
 Nov 01/03

315T3500
 315T3001
 315T4026 DASH NUMBERS
 LIMITED

 **BOEING**
 COMPONENT
 MAINTENANCE MANUAL

FIG. & ITEM	PART NO.	AIRLINE PART NUMBER	NOMENCLATURE 1234567	EFF CODE	QTY PER ASSY
02-60	HL79-6		. COLLAR- (V5M902) (SPEC BACC30M6) (OPT HL79-6 (V73197)) (OPT HL79-6 (V92215)) (OPT 66014-6 (V56878)) (OPT HL79-6 (V56878)) -----*	A-K	4
65	VTB04540		.. BEARING ASSY- (V06710) (SPEC S302T001-301A) (OPT P21620 (V57606)) (OPT USB4-136 (V02758)) (FOR DETAILS SEE FIG. 81)	A-K	1
65B	USB4-136		.. BEARING ASSY- (V02758) (SPEC S302T001-301A) (OPT P21620 (V57606)) (OPT VTB04540 (V06710))	A-K	1
70	315T3580-9		.. HINGE- (USED ON ITEM 40)	A,B	1
-70A	315T3580-13		.. HINGE- (USED ON ITEMS 40A, 40M, 40P)	A-K	1
-70B	315T3580-17		.. HINGE- (USED ON ITEM 40N)	C-E,G ,J,K	1

78-31-22

ILLUSTRATED PARTS LIST
 01.1 Page 1084W
 Nov 01/03

FIG. & ITEM	PART NO.	AIRLINE PART NUMBER	NOMENCLATURE 1234567	EFF CODE	QTY PER ASSY
02-75	315T3581-3		.FITTING ASSY-LINK ATTACH (PRE SB 767-78-0006)	A,B	1
-75A	315T3581-7		.FITTING ASSY-LINK ATTACH (OPT ITEMS 75B, 75C) (USED ON ITEM 1B) (PRE SB 767-78-0006)	C,D	1
75B	315T3581-11		.FITTING ASSY-LINK ATTACH (OPT ITEM 75A) (USED ON ITEM 1B) (PRE SB 767-78-0006)	C,D	1
-75C	315T3581-5		.FITTING ASSY-LINK ATTACH (OPT ITEM 75A) (USED ON ITEM 1B) (PRE SB 767-78-0006)	C,D	1
-75D	315T3581-5		.FITTING ASSY-LINK ATTACH (OPT ITEM 75F)	F,H	1
-75E	315T3581-12		.FITTING ASSY-LINK ATTACH (USED ON ITEM 1E) (PRE SB 767-78-0006)	C,D	1
-75F	315T3581-7		.FITTING ASSY-LINK ATTACH (OPT ITEM 75D)	F,H	1
-75G	315T3581-13		.FITTING ASSY-LINK ATTACH (USED ON ITEMS 1F, 1P)	C-E,G ,J,K	1
-75H	315T3581-11		.FITTING ASSY-LINK ATTACH (OPT ITEM 75J) (POST SB 767-78-0006)	A,B	1
-75J	315T3581-7		.FITTING ASSY-LINK ATTACH (OPT ITEM 75H) (POST SB 767-78-0006)	A,B	1
-75K	015T0263-6		.FITTING ASSY-LINK ATTACH (OPT ITEMS 75L, 75M) (USED ON ITEM 1B) (POST SB 767-78-0006)	C,D	1
-75L	015T0263-5		.FITTING ASSY-LINK ATTACH (OPT ITEMS 75K, 75M) (USED ON ITEM 1B) (POST SB 767-78-0006)	C,D	1
-75M	315T3581-13		.FITTING ASSY-LINK ATTACH (OPT ITEMS 75K, 75L) (USED ON ITEM 1B) (POST SB 767-78-0006)	C,D	1

78-31-22

 ILLUSTRATED PARTS LIST
 01.1 Page 1084X
 Nov 01/03

FIG. & ITEM	PART NO.	AIRLINE PART NUMBER	NOMENCLATURE 1234567	EFF CODE	QTY PER ASSY
02- 80	HL523AZ6-18		ATTACHING PARTS .BOLT- (V56878) (SPEC BACB30NZ6K18) (OPT HL523AZ6-18 (V06725)) (OPT L804-6K18 (V06725)) (OPT HL523AZ6-18 (V92215)) (OPT HL523AZ6-18 (V73197)) (OPT HL523AZ6-18 (V97928)) (OPT HL523AZ6-18 (V0PTK6)) (OPT HL523AZ6-18 (V60516))	A-K	4
83	BACS40R15B38F		.SHIM- (USED ON ITEM 1A)	A,B,F H	AR
-83B	BACS40R10B38F		.SHIM- (USED ON ITEMS 1, 1H)	A,B	2
85	HL79-6		.COLLAR- (V5M902) (SPEC BACC30M6) (OPT HL79-6 (V73197)) (OPT HL79-6 (V92215)) (OPT 66014-6 (V56878)) (OPT HL79-6 (V56878))	A,B	4

78-31-22

FIG. & ITEM	PART NO.	AIRLINE PART NUMBER	NOMENCLATURE 1234567	EFF CODE	QTY PER ASSY
02-85A	KFN600-3		.NUT- (V56878) (SPEC BACN10XJ3) (OPT KFN600-3 (V92215)) (OPT KFN600-3S (V15653)) (OPT KFN600-3S (V92215)) (OPT BH00309-3 (V27238)) (OPT BH00309-3S (V27238)) (OPT KFN600-3 (V15653)) (OPT KFN600-3 (V9N513)) (OPT KFN600-3 (V06950)) -----*-----	C-K	4
90	315T3581-4		..STRIP-RUB	A-K	1
95	315T3581-1		..FITTING	A,B	1
-95A	315T3581-6		..FITTING- (USED ON ITEMS 75C, 75D)	C,D,F ,H	1
-95B	315T3581-8		..FITTING- (USED ON ITEMS 75A, 75F, 75J)	A-D,F ,H	1
-95C	315T3581-10		..FITTING- (USED ON ITEMS 75B, 75E, 75G, 75H, 75M)	A-E,G ,J,K	1
95L	315T3593-2		..BUSHING- (USED ON ITEMS 75C, 75D)	C,D,F ,H	1
95M	315T3593-1		..BUSHING- (USED ON ITEMS 75C, 75D)	C,D,F ,H	1
95P	BACB28AM06B017		..BUSHING- (USED ON ITEMS 75A, 75B, 75E, 75F, 75H, 75J)	A-D,F ,H	1
95Q	BACB28AP04P017		..BUSHING- (USED ON ITEMS 75A, 75B, 75E, 75F, 75G, 75H, 75J, 75M)	A-K	1
95R	BACB28AP06P016		..BUSHING- (USED ON ITEM 75G, 75M)	C-E,G ,J,K	1

78-31-22

ILLUSTRATED PARTS LIST
01.1 Page 1084Z
Nov 01/03

315T3500
 315T3001
 315T4026 DASH NUMBERS
 LIMITED

 **BOEING**
 COMPONENT
 MAINTENANCE MANUAL

FIG. & ITEM	PART NO.	AIRLINE PART NUMBER	NOMENCLATURE 1234567	EFF CODE	QTY PER ASSY
02-100	315T3507-2		.PANEL ASSY- (USED ON ITEMS 1, 1H, 1K)	A,B	1
-100A	315T3507-44		.PANEL ASSY- (USED ON ITEM 1A)	A-D,F ,H	1
-100B	315T3507-68		.PANEL ASSY	E,G,J ,K	1
105	NAS1805-4N		.NUT	C-K	1
110	315T3593-4		.WASHER	C-K	2
115	BACB30LJ4U35		.BOLT	C-K	1
120	AN960C616L		.WASHER- (USED ON ITEM 1B)	C,D,F ,H	AR
-120A	AN960C416L		.WASHER- (USED ON ITEMS 1E, 1F, 1P)	C-E,G ,J,K	AR
125	AN960C616		.WASHER- (USED ON ITEM 1B)	C,D,F ,H	AR
-125A	BACS40U4L3C		.SHIM- (USED ON ITEMS 1E, 1F, 1P)	C-E,G ,J,K	AR
130	315T3583-2		.SPRING	C-K	1
135	BACB28AK04-189		.BUSHING- (USED ON ITEM 1B)	C,D,F ,H	1
-135A	315T3155-2		.BUSHING- (USED ON ITEM 1E)	C,D	1
-135B	KJB232504B		.BUSHING- (V50632) (OPT ITEM 135C) (USED ON ITEMS 1F, 1P)	C-E,G ,J,K	1
-135C	KDJ4-126		.BUSHING- (V97613) (OPT ITEM 135B) (USED ON ITEMS 1F, 1P)	C-E,G ,J,K	1

78-31-22

ILLUSTRATED PARTS LIST
 01.1 Page 1085
 Nov 01/03

FIG. & ITEM	PART NO.	AIRLINE PART NUMBER	NOMENCLATURE 1234567	EFF CODE	QTY PER ASSY
02-140	315T3593-3		.BUSHING- (PRE SB 767-78-0036)	C,D,F ,H-K	1
-140A	315T3593-7		.BUSHING	E,G	1
-140B	315T3593-7		.BUSHING- (POST SB 767-78-0036)	C,D,F ,H-K	1
145	315T3592-1		.LINK ASSY-PIVOT (USED ON ITEM 1B) (PRE SB 767-78-0006)	C,D	1
-145A	315T3592-3		.LINK ASSY-PIVOT (USED ON ITEM 1E) (PRE SB 767-78-0006)	C,D	1
-145B	315T3592-4		.LINK ASSY-PIVOT (USED ON ITEMS 1F, 1P) (PRE SB 767-78-0036)	C,D,J ,K	1
-145C	315T3592-5		.LINK ASSY-PIVOT	E,G	1
-145D	315T3592-1		.LINK ASSY-PIVOT	F,H	1
-145E	015T0236-8		.LINK ASSY-PIVOT (POST SB 767-78-0006)	C,D	1
-145F	315T3592-4		.LINK ASSY-PIVOT (POST SB 767-78-0006)	C,D	1
-145G	315T3592-5		.LINK ASSY-PIVOT (USED ON ITEMS 1F, 1P) (POST SB 767-78-0036)	C,D,J ,K	1
150	BACB28AM06B016A		..BUSHING- (USED ON ITEMS 145, 145A, 145D)	C,D,F ,H	2
-150A	BACB28AP06P016		..BUSHING- (USED ON ITEM 145B, 145F)	C,D,J ,K	2
-150B	BACB28AP06-012		..BUSHING- (USED ON ITEMS 145C, 145G)	C,D,E ,G,J, K	2
155A	L8006K6		..BOLT- (V06725) (SPEC BACB30MY6K6) (OPT HL10VAZ6-6 (VOPTK6))	C-K	1

78-31-22

 ILLUSTRATED PARTS LIST
 01.1 Page 1086
 Nov 01/03

315T3500
 315T3001
 315T4026 DASH NUMBERS
 LIMITED

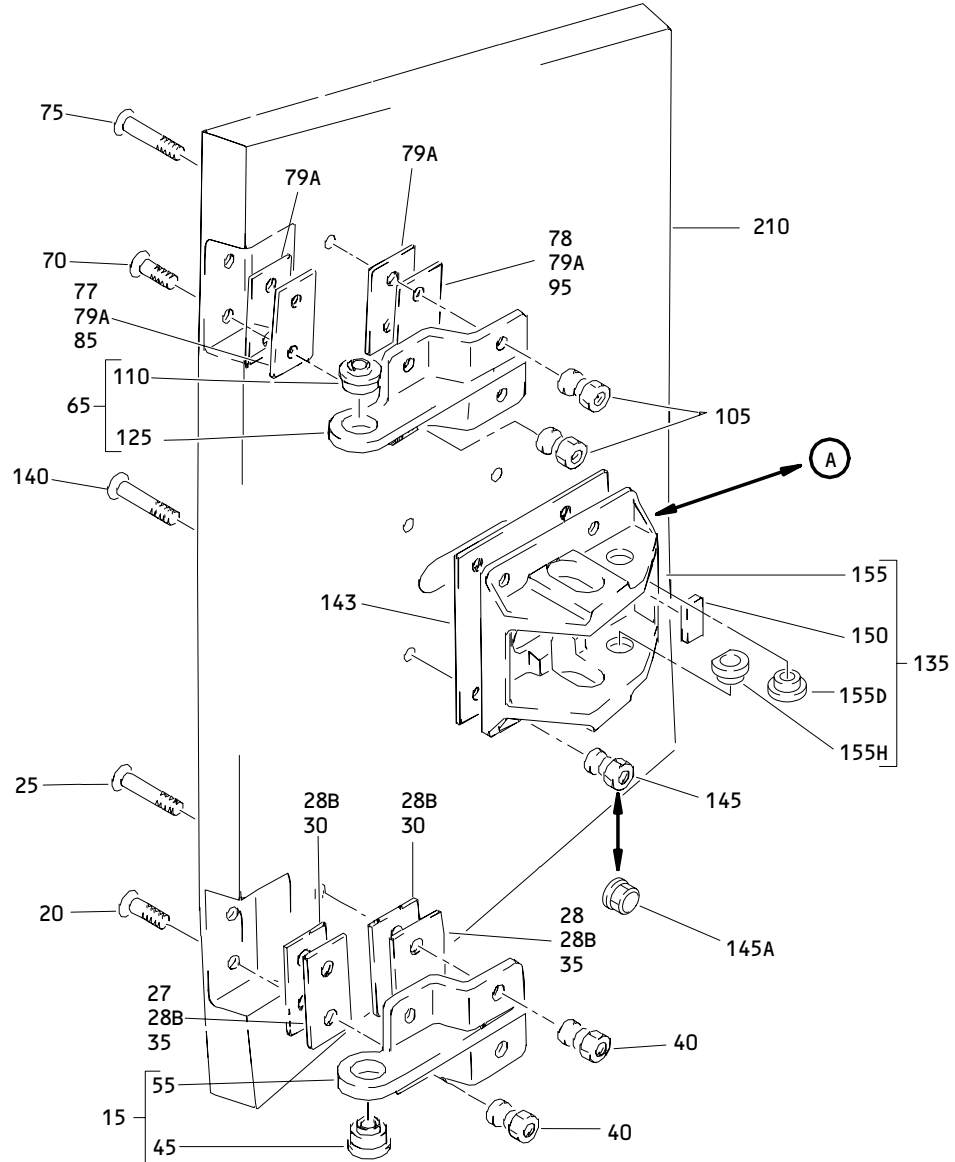
 **BOEING**
 COMPONENT
 MAINTENANCE MANUAL

FIG. & ITEM	PART NO.	AIRLINE PART NUMBER	NOMENCLATURE 1234567	EFF CODE	QTY PER ASSY
02-160	BACW10BP3NDP		..WASHER- (USED ON ITEMS 145, 145A, 145B, 145D, 145F)	C,D,F ,H-K	2
-160A	BACW10BP3NAPU		..WASHER- (OPT ITEM 160B) (USED ON ITEMS 145C, 145G)	C,D,E ,G,J, K	2
-160B	BACW10BP3NPTU		..WASHER- (OPT ITEM 160A) (USED ON ITEMS 145C, 145G)	C,D,E ,G,J, K	2
165A	HL97KG6		..COLLAR- (V5M902) (SPEC BACC30AB6C) (OPT HL97PB6 (V92215)) (OPT HL97PB6 (V56878)) (OPT HL97KG6 (V73197)) (OPT HL97KG6 (V56878)) (OPT HL97PB6 (V73197))	C-K	1
170	BACB28AK03-016		..BUSHING	C-K	1
175	315T3592-2		..LINK- (USED ON ITEMS 145, 145A, 145B, 145D, 145F)	C,D,F ,H-K	1
180	315T3592-6		..LINK- (USED ON ITEMS 145C, 145G)	C,D,E ,G,J, K	1

- Item Not Illustrated

78-31-22

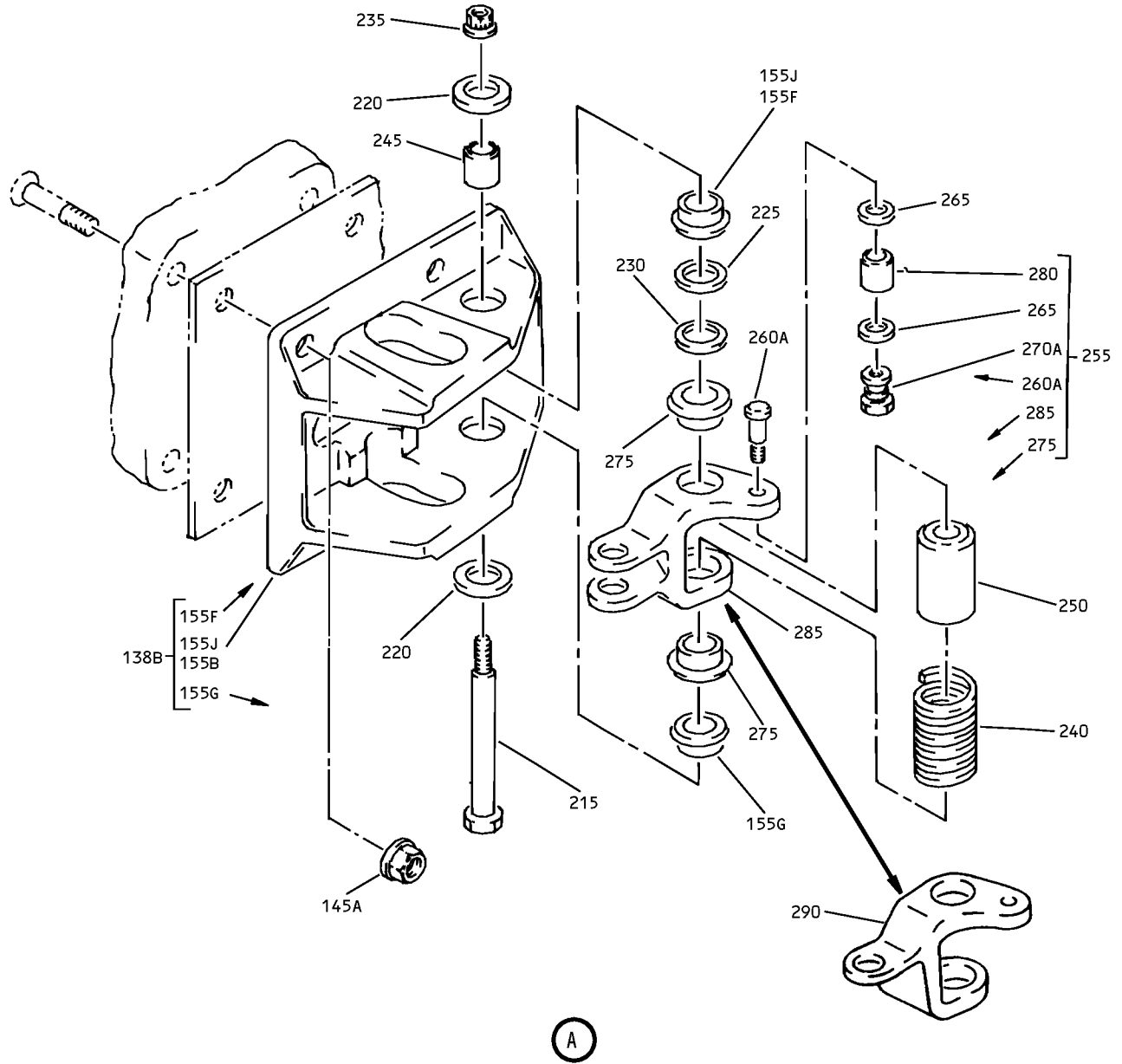
ILLUSTRATED PARTS LIST
 01.1 Page 1086A
 Nov 01/03



Thrust Reverser Upper Blocker Door Assembly
 Figure 3 (Sheet 1)

78-31-22

ILLUSTRATED PARTS LIST
 01.1 Page 1086C
 Nov 01/03



Thrust Reverser Upper Blocker Door Assembly
 Figure 3 (Sheet 2)

78-31-22

ILLUSTRATED PARTS LIST
 01.1 Page 1086D
 Nov 01/03

315T3500
 315T3001
 315T4026 DASH NUMBERS
 LIMITED

 **BOEING**
 COMPONENT
 MAINTENANCE MANUAL

FIG. & ITEM	PART NO.	AIRLINE PART NUMBER	NOMENCLATURE 1234567	EFF CODE	QTY PER ASSY
03- -1	315T3508-88		DOOR ASSY-THRUST REVERSER UPR BLOCKER (LIMITED) (PRE SB 767-78-0041)	B	RF
-1A	315T3508-90		DOOR ASSY-THRUST REVERSER UPR BLOCKER (PRE SB 767-78-0006)	B	RF
-1B	315T3508-138		DOOR ASSY-THRUST REVERSER UPR BLOCKER (PRE SB 767-78-0006)	D	RF
-1D	315T3001-18		DOOR ASSY-THRUST REVERSER UPR BLOCKER (REWORK)	H	RF
-1E	315T3508-148		DOOR ASSY-THRUST REVERSER UPR BLOCKER (PRE SB 767-78-0006)	D	RF
-1F	315T3508-158		DOOR ASSY-THRUST REVERSER UPR BLOCKER	D	RF
-1G	315T3508-159		DELETED		
-1H	315T3508-164		DOOR ASSY-THRUST REVERSER UPR BLOCKER	D	RF
-1J	315T3508-88		DOOR ASSY-THRUST REVERSER UPR BLOCKER (REWORK) (LIMITED) (POST SB 767-78-0041) (POST SB 767-78-0006)	B	RF
-1K	315T3508-160		DOOR ASSY-THRUST REVERSER UPR BLOCKER (PRE SB 767-78-0036)	K	RF
-1L	315T3508-162		DOOR ASSY-THRUST REVERSER UPR BLOCKER (POST SB 767-78-0036)	G	RF
-1M	315T3508-88		DOOR ASSY-THRUST REVERSER UPR BLOCKER (LIMITED) (PRE SB 767-78-0006)	B	RF
-1N	015T0263-22		DOOR ASSY-THRUST REVERSER UPR BLOCKER (LIMITED) (POST SB 767-78-0006) (PRE SB 767-78-0036)	B	RF
-1P	015T0263-24		DOOR ASSY-THRUST REVERSER UPR BLOCKER (POST SB 767-78-0006) (PRE SB 767-78-0036)	B	RF

78-31-22

ILLUSTRATED PARTS LIST
 01.1 Page 1086E
 Nov 01/03

FIG. & ITEM	PART NO.	AIRLINE PART NUMBER	NOMENCLATURE 1234567	EFF CODE	QTY PER ASSY
03- -1Q	015T0263-28		DOOR ASSY-THRUST REVERSER UPR BLOCKER (POST SB 767-78-0006) (PRE SB 767-78-0036)	D	RF
-1R	315T3509-158		DOOR ASSY-THRUST REVERSER UPR BLOCKER (POST SB 767-78-0006) (PRE SB 767-78-0036)	D	RF
-1S	015T0530-18		DOOR ASSY-THRUST REVERSER UPR BLOCKER (LIMITED) (POST SB 767-78-0036)	B	RF
-1T	015T0263-20		DOOR ASSY-THRUST REVERSER UPR BLOCKER (POST SB 767-78-0036)	B	RF
-1U	015T0530-24		DOOR ASSY-THRUST REVERSER UPR BLOCKER (POST SB 767-78-0036)	D	RF
-1V	015T0530-26		DOOR ASSY-THRUST REVERSER UPR BLOCKER (POST SB 767-78-0036)	D	RF
-5	315T3508-87		DOOR ASSY-THRUST REVERSER UPR BLOCKER (LIMITED) (PRE SB 767-78-0041)	A	RF
-5A	315T3508-89		DOOR ASSY-THRUST REVERSER UPR BLOCKER (PRE SB 767-78-0006)	A	RF
-5B	315T3508-137		DOOR ASSY-THRUST REVERSER UPR BLOCKER (PRE SB 767-78-0006)	C	RF
-5D	315T3001-17		DOOR ASSY-THRUST REVERSER UPR BLOCKER (REWORK)	F	RF
-5E	315T3508-147		DOOR ASSY-THRUST REVERSER UPR BLOCKER (PRE SB 767-78-0006)	C	RF
-5F	315T3508-157		DOOR ASSY-THRUST REVERSER UPR BLOCKER	C	RF
-5G	315T3508-160		DELETED		
-5H	315T3508-163		DOOR ASSY-THRUST REVERSER UPR BLOCKER	C	RF

78-31-22

 ILLUSTRATED PARTS LIST
 01.1 Page 1086F
 Nov 01/03

315T3500
 315T3001
 315T4026 DASH NUMBERS
 LIMITED

 **BOEING**
 COMPONENT
 MAINTENANCE MANUAL

FIG. & ITEM	PART NO.	AIRLINE PART NUMBER	NOMENCLATURE 1234567	EFF CODE	QTY PER ASSY
03- -5J	315T3508-87		DOOR ASSY-THRUST REVERSER UPR BLOCKER (REWORK) (LIMITED) (POST SB 767-78-0041) (PRE SB 767-78-0006)	A	RF
-5K	315T3508-159		DOOR ASSY-THRUST REVERSER UPR BLOCKER (PRE SB 767-78-0036)	J	RF
-5L	315T3508-161		DOOR ASSY-THRUST REVERSER UPR BLOCKER (POST SB 767-78-0036)	E	RF
-5M	315T3508-87		DOOR ASSY-THRUST REVERSER UPR BLOCKER (LIMITED) (PRE SB 767-78-0006)	A	RF
-5N	015T0263-21		DOOR ASSY-THRUST REVERSER UPR BLOCKER (LIMITED) (POST SB 767-78-0006) (PRE SB 767-78-0036)	A	RF
-5P	015T0263-23		DOOR ASSY-THRUST REVERSER UPR BLOCKER (POST SB 767-78-0006) (PRE SB 767-78-0036)	A	RF
-5Q	015T0263-27		DOOR ASSY-THRUST REVERSER UPR BLOCKER (POST SB 767-78-0006) (PRE SB 767-78-0036)	C	RF
-5R	315T3508-157		DOOR ASSY-THRUST REVERSER UPR BLOCKER (POST SB 767-78-0006) (PRE SB 767-78-0036)	C	RF
-5S	015T0530-17		DOOR ASSY-THRUST REVERSER UPR BLOCKER (LIMITED) (POST SB 767-78-0036)	A	RF
-5T	015T0350-19		DOOR ASSY-THRUST REVERSER UPR BLOCKER (POST SB 767-78-0036)	A	RF
-5U	015T0530-23		DOOR ASSY-THRUST REVERSER UPR BLOCKER (POST SB 767-78-0036)	C	RF
-5V	015T0530-25		DOOR ASSY-THRUST REVERSER UPR BLOCKER (POST SB 767-78-0036)	C	RF

78-31-22

ILLUSTRATED PARTS LIST
 01.1 Page 1086G
 Nov 01/03

FIG. & ITEM	PART NO.	AIRLINE PART NUMBER	NOMENCLATURE 1234567	EFF CODE	QTY PER ASSY
03- -10	315T3580-7		.FITTING ASSY-HINGE (OPT ITEM 10A) (USED ON ITEMS 1, 1J, 1M)	B	1
-10A	315T3580-11		.FITTING ASSY-HINGE (OPT ITEM 10) (USED ON ITEMS 1, 1J, 1M)	B	1
-10B	315T3580-11		.FITTING ASSY-HINGE (USED ON ITEMS 1A, 1B, 1E)	B,D,H	1
-10C	315T3580-15		.FITTING ASSY-HINGE (OPT ITEM 10D) (USED ON ITEMS 1F, 1H, 1R)	D,G,K	1
-10D	315T3580-11		.FITTING ASSY-HINGE (OPT ITEM 10C) (USED ON ITEMS 1F, 1H, 1R)	D,G,K	1
15	315T3580-8		.FITTING ASSY-HINGE (OPT ITEM 15A) (USED ON ITEMS 5, 5J, 5M)	A	1
-15A	315T3580-12		.FITTING ASSY-HINGE (OPT ITEM 15) (USED ON ITEMS 5, 5J, 5M)	A	1
-15B	315T3580-12		.FITTING ASSY-HINGE (USED ON ITEMS 5A, 5B, 5E)	A,C,F	1
-15C	315T3580-16		.FITTING ASSY-HINGE (OPT ITEM 15D) (USED ON ITEMS 5F, 5H, 5R)	C,E,J	1
-15D	315T3580-12		.FITTING ASSY-HINGE (OPT ITEM 15C) (USED ON ITEMS 5F, 5H, 5R)	C,E,J	1

78-31-22

 ILLUSTRATED PARTS LIST
 01.1 Page 1086H
 Nov 01/03

FIG. & ITEM	PART NO.	AIRLINE PART NUMBER	NOMENCLATURE 1234567	EFF CODE	QTY PER ASSY
03- 20	HL523AZ6-5		ATTACHING PARTS .BOLT- (V56878) (SPEC BACB30NZ6K5) (OPT HL523AZ6-5 (V92215)) (OPT L804-6K5 (V06725)) (OPT HL523AZ6-5 (V06725)) (OPT HL523AZ6-5 (V73197)) (OPT HL523AZ6-5 (V73197)) (OPT HL523AZ6-5 (V60516)) (OPT HL523AZ6-5 (VOPTK6))	A-K	2
25	HL523AZ6-18		.BOLT- (V56878) (SPEC BACB30NZ6K18) (OPT HL523AZ6-18 (V06725)) (OPT L804-6K18 (V06725)) (OPT HL523AZ6-18 (V92215)) (OPT HL523AZ6-18 (V73197)) (OPT HL523AZ6-18 (V97928)) (OPT HL523AZ6-18 (VOPTK6)) (OPT HL523AZ6-18 (V60516))	A-K	2
27	BACS40R10C22F		.SHIM- (QTY 4 ITEM 28B OPT TO QTY 1 ITEM 27 AND QTY 1 ITEM 28) (USED ON ITEMS 1A, 5A)	A-K	AR
28	BACS40R11C22F		.SHIM- (QTY 4 ITEM 28B OPT TO QTY 1 ITEM 27 AND QTY 1 ITEM 28) (USED ON ITEMS 1A, 5A)	A-K	AR

78-31-22

FIG. & ITEM	PART NO.	AIRLINE PART NUMBER	NOMENCLATURE 1234567	EFF CODE	QTY PER ASSY
03-28B	BACS40R10C10F		.SHIM- (QTY 4 ITEM 28B OPT TO QTY 1 ITEM 27 AND QTY 1 ITEM 28) (USED ON ITEMS 1A, 5A)	A-K	AR
-28C	BACS40R10C10F		.SHIM- (QTY 4 ITEM 28C OPT TO QTY 2 ITEM 30) (USED ON ITEMS 1, 1J, 1M)	B	AR
-28D	BACS40R10C10F		.SHIM- (QTY 4 ITEM 28D OPT TO QTY 2 ITEM 35) (USED ON ITEMS 5, 5J, 5M)	A	AR
30	315T3507-19		.SHIM- (QTY 4 ITEM 28C OPT TO QTY 2 ITEM 30) (USED ON ITEMS 1, 1J, 1M)	B	AR
35	315T3507-20		.SHIM- (QTY 4 ITEM 28D OPT TO QTY 2 ITEM 35) (USED ON ITEMS 5, 5J, 5M)	A	AR
40	HL79-6		.COLLAR- (V5M902) (SPEC BACC30M6) (OPT HL79-6 (V73197)) (OPT HL79-6 (V92215)) (OPT 66014-6 (V56878)) (OPT HL79-6 (V56878)) -----*	A-K	4

78-31-22

 ILLUSTRATED PARTS LIST
 01.1 Page 1086J
 Nov 01/03

FIG. & ITEM	PART NO.	AIRLINE PART NUMBER	NOMENCLATURE 1234567	EFF CODE	QTY PER ASSY
03-45	VTB04540		..BEARING ASSY- (V06710) (SPEC S302T001-301A) (OPT USB4-136 (V02758)) (OPT P21620 (V57606)) (FOR DETAILS SEE FIG. 81)	A-K	1
-45B	USB4-136		..BEARING ASSY- (V02758) (SPEC S302T001-301A) (OPT P21620 (V57606)) (OPT VTB04540 (V06710))	A-K	1
-50	315T3580-9		..HINGE- (USED ON ITEM 10)	B	1
-50A	315T3580-13		..HINGE- (USED ON ITEMS 10A, 10B, 10D)	B,D,G ,H,K	1
-50B	315T3580-17		..HINGE- (USED ON ITEM 10C)	D,G,K	1
55	315T3580-10		..HINGE- (USED ON ITEM 15)	A	1
-55A	315T3580-14		..HINGE- (USED ON ITEMS 15A, 15B, 15D)	A,C,E ,F,J	1
-55B	315T3580-18		..HINGE- (USED ON ITEM 15C)	C,E,J	1
-60	315T3584-2		.FITTING ASSY-HINGE (OPT ITEM 60C) (USED ON ITEMS 1, 1J, 1M)	B	1
-60A	315T3584-10		.FITTING ASSY-HINGE (OPT ITEM 60C) (USED ON ITEMS 1, 1J, 1M)	B	1
-60C	315T3584-12		.FITTING ASSY-HINGE (OPT ITEMS 60, 60A) (USED ON ITEMS 1, 1J, 1M)	B	1
-60D	315T3584-12		.FITTING ASSY-HINGE (USED ON ITEMS 1A, 1B, 1E)	B,D,H	1

78-31-22

FIG. & ITEM	PART NO.	AIRLINE PART NUMBER	NOMENCLATURE 1234567	EFF CODE	QTY PER ASSY
03- -60E	315T3584-12		.FITTING ASSY-HINGE (OPT ITEM 60F) (USED ON ITEMS 1F, 1R)	D,K	1
-60F	315T3584-16		.FITTING ASSY-HINGE (OPT ITEM 60E) (USED ON ITEMS 1F, 1R)	D,K	1
-60G	315T3584-20		.FITTING ASSY-HINGE (USED ON ITEM 1H)	D,G	1
65	315T3584-1		.FITTING ASSY-HINGE (OPT ITEMS 65A, 65C) (USED ON ITEMS 5, 5J, 5M)	A	1
-65A	315T3584-9		.FITTING ASSY-HINGE (OPT ITEMS 65C) (USED ON ITEMS 5, 5J, 5M)	A	1
-65C	315T3584-11		.FITTING ASSY-HINGE (OPT ITEMS 65, 65A) (USED ON ITEMS 5, 5J, 5M)	A	1
-65D	315T3584-11		.FITTING ASSY-HINGE (USED ON ITEMS 5A, 5B, 5E)	A,C,F	1
-65E	315T3584-11		.FITTING ASSY-HINGE (OPT ITEM 65F) (USED ON ITEMS 5F, 5R)	C,J	1
-65F	315T3584-15		.FITTING ASSY-HINGE (OPT ITEM 65E) (USED ON ITEMS 5F, 5R)	C,J	1
-65G	315T3584-19		.FITTING ASSY-HINGE (USED ON ITEM 5H)	C,E	1

78-31-22

 ILLUSTRATED PARTS LIST
 01.1 Page 1086L
 Nov 01/03

FIG. & ITEM	PART NO.	AIRLINE PART NUMBER	NOMENCLATURE 1234567	EFF CODE	QTY PER ASSY
03- 70	HL523AZ6-5		ATTACHING PARTS .BOLT- (V56878) (SPEC BACB30NZ6K5) (OPT HL523AZ6-5 (V92215)) (OPT L804-6K5 (V06725)) (OPT HL523AZ6-5 (V06725)) (OPT HL523AZ6-5 (V73197)) (OPT HL523AZ6-5 (V73197)) (OPT HL523AZ6-5 (V60516)) (OPT HL523AZ6-5 (VOPTK6))	A-K	2
75	HL523AZ6-18		.BOLT- (V56878) (SPEC BACB30NZ6K18) (OPT HL523AZ6-18 (V06725)) (OPT L804-6K18 (V06725)) (OPT HL523AZ6-18 (V92215)) (OPT HL523AZ6-18 (V73197)) (OPT HL523AZ6-18 (V97928)) (OPT HL523AZ6-18 (VOPTK6)) (OPT HL523AZ6-18 (V60516))	A-K	2

78-31-22

FIG. & ITEM	PART NO.	AIRLINE PART NUMBER	NOMENCLATURE 1234567	EFF CODE	QTY PER ASSY
03-77	BACS40R10C22F		.SHIM- (QTY 4 ITEM 79A OPT TO QTY 1 ITEM 77 AND QTY 1 ITEM 77A) (USED ON ITEMS 1A, 5A)	A-K	AR
78	BACS40R11C22F		.SHIM- (QTY 4 ITEM 79A OPT TO QTY 1 ITEM 77 AND QTY 1 ITEM 78) (USED ON ITEMS 1A, 5A)	A-K	AR
79A	BACS40R10C10F		.SHIM- (QTY 4 ITEM 79A OPT TO QTY 1 ITEM 77 AND QTY 1 ITEM 78) (USED ON ITEMS 1A, 5A)	A-K	AR
-79B	BACS40R10C10F		.SHIM- (QTY 4 ITEM 79B OPT TO QTY 1 ITEM 80 AND QTY 1 ITEM 90) (USED ON ITEMS 1, 1J, 1M)	B	AR
-79C	BACS40R10C10F		.SHIM- (QTY 4 ITEM 79C OPT TO QTY 1 ITEM 85 AND QTY 1 ITEM 95) (USED ON ITEMS 5, 5J, 5M)	A	AR
-80	315T3508-26		.SHIM- (QTY 4 ITEM 79B OPT TO QTY 1 ITEM 80 AND QTY 1 ITEM 90) (USED ON ITEMS 1, 1J, 1M)	B	AR

78-31-22

 ILLUSTRATED PARTS LIST
 01.1 Page 1086N
 Nov 01/03

315T3500
 315T3001
 315T4026 DASH NUMBERS
 LIMITED

 **BOEING**
 COMPONENT
 MAINTENANCE MANUAL

FIG. & ITEM	PART NO.	AIRLINE PART NUMBER	NOMENCLATURE 1234567	EFF CODE	QTY PER ASSY
03-85	315T3508-25		.SHIM- (QTY 4 ITEM 79C OPT TO QTY 1 ITEM 85 AND QTY 1 ITEM 95) (USED ON ITEMS 5, 5J, 5M)	A	AR
-90	315T3508-46		.SHIM- (QTY 4 ITEM 79B OPT TO QTY 1 ITEM 80 AND QTY 1 ITEM 90) (USED ON ITEMS 1, 1J, 1M)	B	AR
95	315T3508-45		.SHIM- (QTY 4 ITEM 79B OPT TO QTY 1 ITEM 85 AND QTY 1 ITEM 95) (USED ON ITEMS 5, 5J, 5M)	A	AR
100	HL79-6		.COLLAR- (V5M902) (SPEC BACC30M6) (OPT HL79-6 (V73197)) (OPT HL79-6 (V92215)) (OPT 66014-6 (V56878)) (OPT HL79-6 (V56878)) -----*	A-K	4

78-31-22

ILLUSTRATED PARTS LIST
 01.1 Page 10860
 Nov 01/03

FIG. & ITEM	PART NO.	AIRLINE PART NUMBER	NOMENCLATURE 1234567	EFF CODE	QTY PER ASSY
03-110	VTB04540		..BEARING ASSY- (V06710) (SPEC S302T001-301A) (OPT USB4-136 (V02758)) (OPT P21620 (V57606)) (FOR DETAILS SEE FIG. 81)	A-K	1
-110B	USB4-136		..BEARING ASSY- (V02758) (SPEC S302T001-301A) (OPT P21620 (V57606)) (OPT VTB04540 (V06710))	A-K	1
-115	315T3584-4		..HINGE- (USED ON ITEM 60)	B	1
-120	315T3584-8		..HINGE- (USED ON ITEM 60A)	B	1
-120A	315T3584-14		..HINGE- (USED ON ITEMS 60C, 60D, 60E)	B,D,H ,K	1
-120B	315T3584-18		..HINGE- (USED ON ITEM 60F)	D,K	1
-120C	315T3584-22		..HINGE- (USED ON ITEM 60G)	D,G	1
125	315T3584-3		..HINGE- (USED ON ITEM 65)	A	1

78-31-22

 ILLUSTRATED PARTS LIST
 01.1 Page 1086P
 Nov 01/03

315T3500
 315T3001
 315T4026 DASH NUMBERS
 LIMITED

 **BOEING**
 COMPONENT
 MAINTENANCE MANUAL

FIG. & ITEM	PART NO.	AIRLINE PART NUMBER	NOMENCLATURE 1234567	EFF CODE	QTY PER ASSY
03-125A	315T3584-21		..HINGE- (USED ON ITEM 65G)	C,E	1
-130	315T3584-7		..HINGE- (USED ON ITEM 65A)	A	1
-130A	315T3584-13		..HINGE- (USED ON ITEMS 65C, 65D, 65E)	A,C,F, ,J	1
-130B	315T3584-17		..HINGE- (USED ON ITEM 65F)	C,J	1
135	315T3581-3		.FITTING ASSY-LINK ATTACH (PRE SB 767-78-0006)	A,B	1
-135A	315T3581-11		.FITTING ASSY-LINK ATTACH (OPT ITEM 135B) (POST SB 767-78-0006)	A,B	1
-135B	315T3581-7		.FITTING ASSY-LINK ATTACH (OPT ITEM 135A) (POST SB 767-78-0006)	A,B	1
-138	315T3581-5		.FITTING ASSY-LINK ATTACH (OPT ITEM 138B) (USED ON ITEMS 1B, 5B) (PRE SB 767-78-0006)	C,D	1
-138A	315T3581-7		.FITTING ASSY-LINK ATTACH (OPT ITEM 138B) (USED ON ITEMS 1B, 5B) (PRE SB 767-78-0006)	C,D	1
138B	315T3581-11		.FITTING ASSY-LINK ATTACH (OPT ITEM 138, 138A) (USED ON ITEMS 1B, 5B) (PRE SB 767-78-0006)	C,D	1
-138C	315T3581-5		.FITTING ASSY-LINK ATTACH (OPT ITEM 138D)	F,H	1

78-31-22

ILLUSTRATED PARTS LIST
 01.1 Page 1086Q
 Nov 01/03

FIG. & ITEM	PART NO.	AIRLINE PART NUMBER	NOMENCLATURE 1234567	EFF CODE	QTY PER ASSY
03-					
-138D	315T3581-7		.FITTING ASSY-LINK ATTACH (OPT ITEM 138C)	E-H	1
-138E	315T3581-12		.FITTING ASSY-LINK ATTACH (USED ON ITEMS 1E, 5E) (PRE SB 767-78-0006)	C,D	1
-138F	315T3581-13		.FITTING ASSY-LINK ATTACH (USED ON ITEMS 1F, 1H, 1R, 5F, 5H, 5R)	C-E,G ,J,K	1
-138G	015T0263-5		.FITTING ASSY-LINK ATTACH (OPT ITEMS 138H, 138J) (USED ON ITEMS 1B, 5B) (POST SB 767-78-0006)	C,D	1
-138H	015T0263-6		.FITTING ASSY-LINK ATTACH (OPT ITEMS 138G, 138J) (USED ON ITEMS 1B, 5B) (POST SB 767-78-0006)	C,D	1
-138J	315T3581-13		.FITTING ASSY-LINK ATTACH (OPT ITEMS 138G, 138H) (USED ON ITEMS 1B, 5B) (POST SB 767-78-0006)	C,D	1
140	HL523AZ6-18		ATTACHING PARTS .BOLT- (V56878) (SPEC BACB30NZ6K18) (OPT HL523AZ6-18 (V06725)) (OPT L804-6K18 (V06725)) (OPT HL523AZ6-18 (V92215)) (OPT HL523AZ6-18 (V73197)) (OPT HL523AZ6-18 (V97928)) (OPT HL523AZ6-18 (V0PTK6)) (OPT HL523AZ6-18 (V60516))	A-K	4

78-31-22

 ILLUSTRATED PARTS LIST
 01.1 Page 1086R
 Nov 01/03

FIG. & ITEM	PART NO.	AIRLINE PART NUMBER	NOMENCLATURE 1234567	EFF CODE	QTY PER ASSY
03-143	BACS40R15B38F		.SHIM- (USED ON ITEMS 1A, 5A)	A,B,F ,H	2
-143A	BACS40R10B38F		.SHIM- (USED ON ITEMS 1, 1J, 1M, 5, 5J, 5M)	A,B,G	AR
145	HL79-6		.COLLAR- (V5M902) (SPEC BACC30M6) (OPT HL79-6 (V73197)) (OPT HL79-6 (V92215)) (OPT 66014-6 (V56878)) (OPT HL79-6 (V56878))	A,B	4
145A	KFN600-3		.NUT- (V56878) (SPEC BACN10XJ3) (OPT KFN600-3 (V92215)) (OPT KFN600-3S (V15653)) (OPT KFN600-3S (V92215)) (OPT BH00309-3 (V27238)) (OPT BH00309-3S (V27238)) (OPT KFN600-3 (V15653)) (OPT KFN600-3 (V9N513)) (OPT KFN600-3 (V06950)) -----*	C-K	4

78-31-22

FIG. & ITEM	PART NO.	AIRLINE PART NUMBER	NOMENCLATURE 1234567	EFF CODE	QTY PER ASSY
03-					
150	315T3581-4		..STRIP-RUB	A-K	1
155	315T3581-1		..FITTING	A,B	1
-155A	315T3581-8		..FITTING- (USED ON ITEMS 135B, 138A, 138D)	A-D,F ,H	1
155B	315T3581-10		..FITTING- (USED ON ITEMS 135A, 138B, 138E, 138F, 138J)	A-E,G ,J,K	1
-155C	315T3581-6		..FITTING- (USED ON ITEM 138, 138C)	C,D,F ,H	1
155D	315T3593-1		..BUSHING- (USED ON ITEMS 138, 138C)	C,D,F ,H	1
155F	BACB28AM06B017		..BUSHING- (USED ON ITEMS 135A, 135B, 138A, 138B, 138D, 138E)	A-D,F ,H	1
155G	BACB28AP04P017		..BUSHING- (USED ON ITEMS 135A, 135B, 138A, 138B, 138D, 138E, 138F, 138J)	A-D,F ,H	1
155H	315T3593-2		..BUSHING- (USED ON ITEMS 138, 138C)	C,D,F ,H	2
155J	BACB28AP06P016		..BUSHING- (USED ON ITEMS 138F, 138J)	C-E,G ,J,K	1
-205	315T3508-66		.PANEL ASSY- (USED ON ITEMS 1, 1J, 1M)	B	1

78-31-22

 ILLUSTRATED PARTS LIST
 01.1 Page 1086T
 Nov 01/03

315T3500
 315T3001
 315T4026 DASH NUMBERS
 LIMITED

 **BOEING**
 COMPONENT
 MAINTENANCE MANUAL

FIG. & ITEM	PART NO.	AIRLINE PART NUMBER	NOMENCLATURE 1234567	EFF CODE	QTY PER ASSY
03- -205A	315T3508-92		.PANEL ASSY- (USED ON ITEM 1A)	B,H	1
-205B	315T3508-140		.PANEL ASSY	D	1
-205C	315T3508-152		.PANEL ASSY	G,K	1
210	315T3508-65		.PANEL ASSY- (USED ON ITEMS 5, 5J, 5M)	A	1
-210A	315T3508-91		.PANEL ASSY- (USED ON ITEM 5A)	A,F	1
-210B	315T3508-139		.PANEL ASSY	C	1
-210C	315T3508-151		.PANEL ASSY	E,J	1
215	BACB30LJ4U35		.BOLT	C-K	1
220	315T3593-4		.WASHER	C-K	2
225	AN960C616L		.WASHER- (USED ON ITEMS 1B, 5B)	C,D,F ,H	AR
-225A	AN960C416L		.WASHER- (USED ON ITEMS 1E, 1F, 1H, 1R, 5E, 5F, 5H, 5R)	C-E,G ,J,K	AR
230	AN960C616		.WASHER- (USED ON ITEMS 1B, 5B)	C,D,F ,H	AR
-230B	BACS40U4L3C		.SHIM- (USED ON ITEMS 1E, 1F, 1H, 1R, 5E, 5F, 5H, 5R)	C-E,G ,J,K	AR
235	NAS1805-4N		.NUT	C-K	AR
240	315T3583-2		.SPRING	C-K	1
245	BACB28AK04-189		.BUSHING- (USED ON ITEMS 1B, 5B)	C,D,F ,H	1
-245A	315T3155-2		.BUSHING- (USED ON ITEMS 1E, 5E)	C,D	1

78-31-22

ILLUSTRATED PARTS LIST
 01.1 Page 1086U
 Nov 01/03

FIG. & ITEM	PART NO.	AIRLINE PART NUMBER	NOMENCLATURE 1234567	EFF CODE	QTY PER ASSY
03- -245B	KJB232504B		.BUSHING- (V50632) (OPT ITEM 245C) (USED ON ITEMS 1F, 1H, 1R, 5F, 5H, 5R)	C-E,G ,J,K	1
-245C	KDJ4-126		.BUSHING- (V97613) (OPT ITEM 245B) (USED ON ITEMS 1F, 1H, 1R, 5F, 5H, 5R)	C-E,G ,J,K	1
250	315T3593-3		.BUSHING- (PRE SB 767-78-0036)	C,D,F ,H-K	1
-250A	315T3593-7		.BUSHING	E,G	1
-250B	315T3593-7		.BUSHING- (POST SB 767-78-0036)	C,D,F ,H-K	1
255	315T3592-1		.LINK ASSY- (USED ON ITEMS 1B, 5B) (PRE SB 767-78-0006)	C,D	1
-255B	315T3592-3		.LINK ASSY- (USED ON ITEMS 1E, 5E) (PRE SB 767-78-0006)	C,D	1
-255C	315T3592-4		.LINK ASSY-PIVOT (USED ON ITEMS 1F, 1H, 1R, 5F, 5H, 5R) (PRE SB 767-78-0036)	C,D,J ,K	1
-255D	315T3592-5		.LINK ASSY-PIVOT	E,G	1
-255E	315T3592-1		.LINK ASSY	F,H	1
-255F	015T0263-8		.LINK ASSY- (USED ON ITEMS 1B, 5B) (POST SB 767-78-0006) (PRE SB 767-78-0036)	C,D	1
-255G	315T3592-4		.LINK ASSY- (USED ON ITEMS 1E, 5E) (POST SB 767-78-0006)	C,D	1
-255H	315T3592-5		.LINK ASSY-PIVOT (USED ON ITEMS 1B, 1F, 1H, 1R, 5B, 5F, 5H, 5R) (POST SB 767-78-0036)	C,D,J ,K	1

78-31-22

 ILLUSTRATED PARTS LIST
 01.1 Page 1086V
 Nov 01/03

315T3500
 315T3001
 315T4026 DASH NUMBERS
 LIMITED

 **BOEING**
 COMPONENT
 MAINTENANCE MANUAL

FIG. & ITEM	PART NO.	AIRLINE PART NUMBER	NOMENCLATURE 1234567	EFF CODE	QTY PER ASSY
03-260A	L8006K6		..BOLT- (V06725) (SPEC BACB30MY6K6) (OPT HL10VAZ6-6 (VOPTK6))	C-K	1
265	BACW10BP3NDP		..WASHER- (USED ON ITEMS 255, 255B, 255C, 255E, 255G)	C,D,F ,H-K	2
-265A	BACW10BP3NAPU		..WASHER- (OPT ITEM 265B) (USED ON ITEMS 255D, 255H)	C,D,E ,G,J, K	2
-265B	BACW10BP3NPTU		..WASHER- (OPT ITEM 265A) (USED ON ITEMS 255D, 255H)	C,D,E ,G,J, K	2
270A	HL97KG6		..COLLAR- (V5M902) (SPEC BACC30AB6C) (OPT HL97PB6 (V92215)) (OPT HL97PB6 (V56878)) (OPT HL97KG6 (V73197)) (OPT HL97KG6 (V56878)) (OPT HL97PB6 (V73197))	C-K	1

78-31-22

ILLUSTRATED PARTS LIST
 01.1 Page 1086W
 Nov 01/03

FIG. & ITEM	PART NO.	AIRLINE PART NUMBER	NOMENCLATURE 1234567	EFF CODE	QTY PER ASSY
03-275	BACB28AM06B016A		..BUSHING- (USED ON ITEMS 255, 255B, 255E)	C,D,F ,H	2
-275A	BACB28AP06P016		..BUSHING- (USED ON ITEMS 255C, 255G)	C,D,J ,K	2
-275B	BACB28AP06-012		..BUSHING- (USED ON ITEMS 255D, 255H)	C,D,E ,G,J, K	2
-275F	015T0263-8		DELETED		
280	BACB28AK03-016		..BUSHING	C-K	1
285	315T3592-2		..LINK- (USED ON ITEMS 255, 255B, 255C, 255E, 255G)	C,D,F ,H-K	1
290	315T3592-6		..LINK- (USED ON ITEMS 255D, 255H)	C,D,E ,G,J, K	1

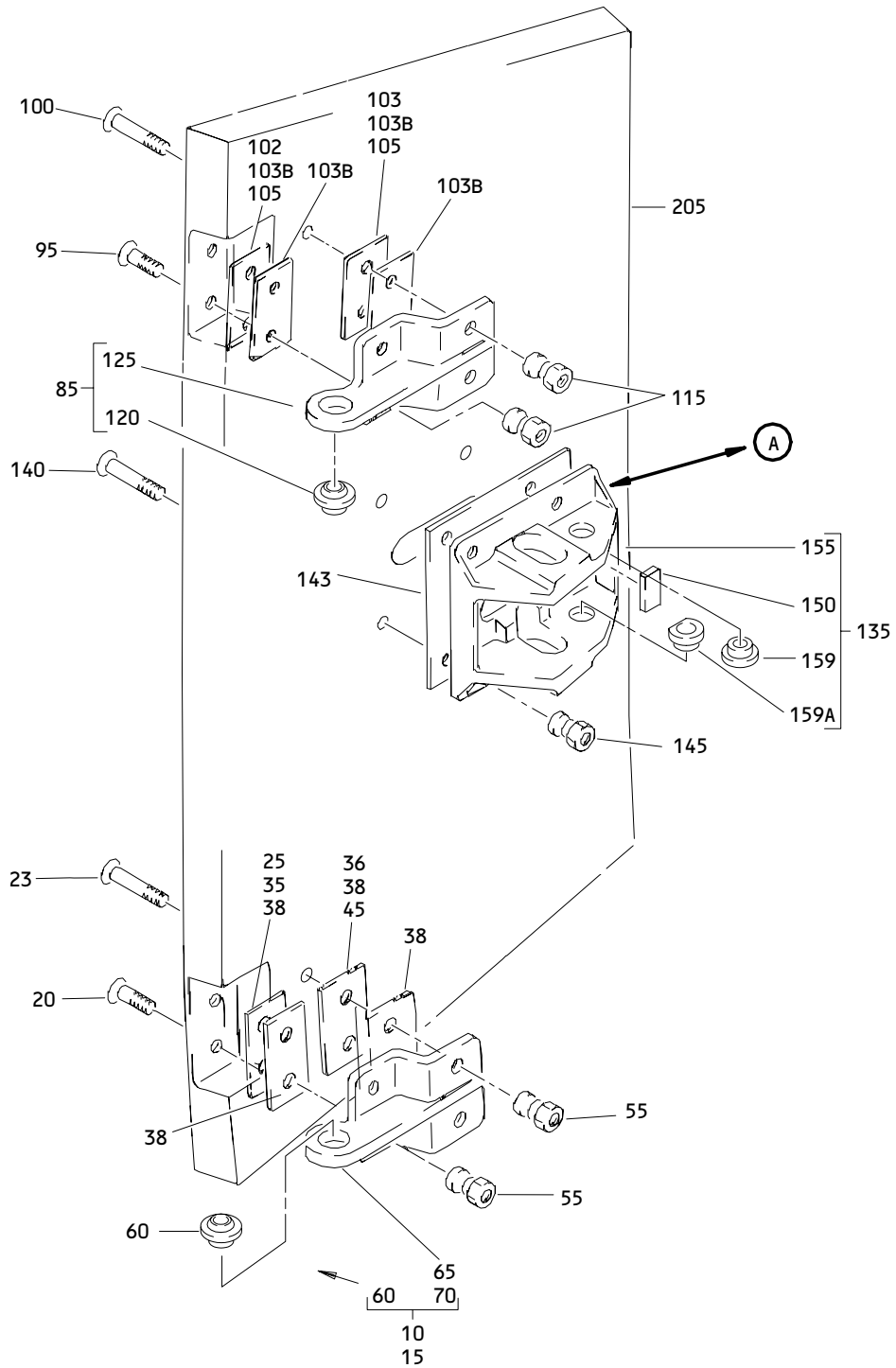
- Item Not Illustrated

78-31-22

ILLUSTRATED PARTS LIST
 01.1 Page 1086X
 Nov 01/03

315T3500
315T3001
315T4026 DASH NUMBERS
LIMITED

BOEING
COMPONENT
MAINTENANCE MANUAL

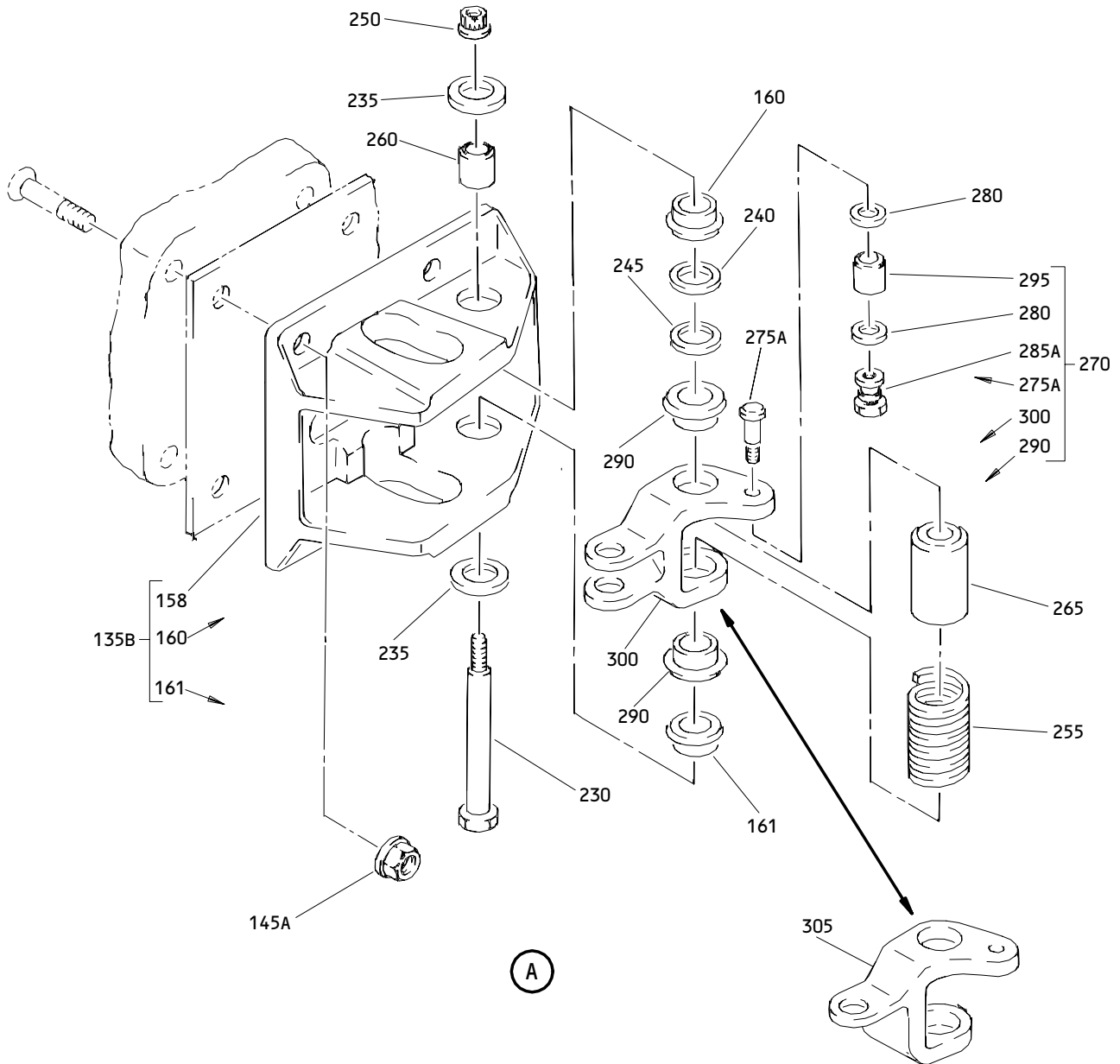


Thrust Reverser Lower Blocker Door Assembly
Figure 4 (Sheet 1)

78-31-22

ILLUSTRATED PARTS LIST
01.1 Page 1086Y
Nov 01/03

T58460



Thrust Reverser Lower Blocker Door Assembly
 Figure 4 (Sheet 2)

78-31-22

ILLUSTRATED PARTS LIST
 01.1 Page 1086Z
 Nov 01/03

315T3500
 315T3001
 315T4026 DASH NUMBERS
 LIMITED

 **BOEING**
 COMPONENT
 MAINTENANCE MANUAL

FIG. & ITEM	PART NO.	AIRLINE PART NUMBER	NOMENCLATURE 1234567	EFF CODE	QTY PER ASSY
04- -1	315T3509-45		DOOR ASSY-THRUST REVERSER LWR BLOCKER (LIMITED) (PRE SB 767-78-0041)	A	RF
-1A	315T3509-71		DOOR ASSY-THRUST REVERSER LWR BLOCKER (PRE 767-78-0006)	A	RF
-1B	315T3509-93		DOOR ASSY-THRUST REVERSER LWR BLOCKER (PRE SB 767-78-0006)	C	RF
-1D	315T3001-21		DOOR ASSY-THRUST REVERSER LWR BLOCKER (REWORK)	F	RF
-1E	315T3509-99		DOOR ASSY-THRUST REVERSER LWR BLOCKER (PRE SB 767-78-0006)	C	RF
-1F	315T3509-109		DOOR ASSY-THRUST REVERSER LWR BLOCKER	C	RF
-1G	315T3509-111		DOOR ASSY-THRUST REVERSER LWR BLOCKER (PRE SB 767-78-0036)	J	RF
-1H	315T3509-115		DOOR ASSY-THRUST REVERSER LWR BLOCKER	C	RF
-1J	315T3509-45		DOOR ASSY-THRUST REVERSER LWR BLOCKER (REWORK) (LIMITED) (POST SB 767-78-0041) (PRE SB 767-78-0006)	A	RF
-1K	315T3509-113		DOOR ASSY-THRUST REVERSER LWR BLOCKER (POST SB 767-78-0036)	E	RF
-1L	315T3509-45		DOOR ASSY-THRUST REVERSER LWR BLOCKER (LIMITED) (PRE SB 767-78-0006)	A	RF
-1M	015T0263-13		DOOR ASSY-THRUST REVERSER LWR BLOCKER (LIMITED) (POST SB 767-78-0006) (PRE SB 767-78-0036)	A	RF
-1N	015T0263-15		DOOR ASSY-THRUST REVERSER LWR BLOCKER (POST SB 767-78-0006) (PRE SB 767-78-0036)	A	RF

78-31-22

ILLUSTRATED PARTS LIST
 01.1 Page 1087
 Nov 01/03

FIG. & ITEM	PART NO.	AIRLINE PART NUMBER	NOMENCLATURE 1234567	EFF CODE	QTY PER ASSY
04- -1P	015T0263-19		DOOR ASSY-THRUST REVERSER LWR BLOCKER (POST SB 767-78-0006) (PRE SB 767-78-0036)	C	RF
-1Q	315T3509-109		DOOR ASSY-THRUST REVERSER LWR BLOCKER (POST SB 767-78-0006) (PRE SB 767-78-0036)	C	RF
-1R	015T0530-9		DOOR ASSY-THRUST REVERSER LWR BLOCKER (LIMITED) (POST SB 767-78-0036)	A	RF
-1S	015T0530-11		DOOR ASSY-THRUST REVERSER LWR BLOCKER (POST SB 767-78-0036)	A	RF
-1T	015T0530-15		DOOR ASSY-THRUST REVERSER LWR BLOCKER (POST SB 767-78-0036)	C	RF
-1U	015T0530-27		DOOR ASSY-THRUST REVERSER LWR BLOCKER (POST SB 767-78-0036)	C	RF
-5	315T3509-46		DOOR ASSY-THRUST REVERSER LWR BLOCKER (LIMITED) (PRE SB 767-78-0041)	B	RF
-5A	315T3509-72		DOOR ASSY-THRUST REVERSER LWR BLOCKER (PRE SB 767-78-0006)	B	RF
-5B	315T3509-94		DOOR ASSY-THRUST REVERSER LWR BLOCKER (PRE SB 767-78-0006)	D	RF
-5D	315T3001-22		DOOR ASSY-THRUST REVERSER LWR BLOCKER (REWORK)	H	RF
-5E	315T3509-100		DOOR ASSY-THRUST REVERSER LWR BLOCKER (PRE SB 767-78-0006)	D	RF
-5F	315T3509-110		DOOR ASSY-THRUST REVERSER LWR BLOCKER	D	RF
-5G	315T3509-112		DOOR ASSY-THRUST REVERSER LWR BLOCKER (PRE SB 767-78-0036)	K	RF
-5H	315T3509-116		DOOR ASSY-THRUST REVERSER LWR BLOCKER	D	RF

78-31-22

 ILLUSTRATED PARTS LIST
 01.1 Page 1088
 Nov 01/03

315T3500
 315T3001
 315T4026 DASH NUMBERS
 LIMITED

 **BOEING**
 COMPONENT
 MAINTENANCE MANUAL

FIG. & ITEM	PART NO.	AIRLINE PART NUMBER	NOMENCLATURE 1234567	EFF CODE	QTY PER ASSY
04- -5J	315T3509-46		DOOR ASSY-THRUST REVERSER LWR BLOCKER (REWORK) (LIMITED) (POST SB 767-78-0041) (PRE SB 767-78-0006)	B	RF
-5K	315T3509-114		DOOR ASSY-THRUST REVERSER LWR BLOCKER (POST SB 767-78-0036)	G	RF
-5L	315T3509-46		DOOR ASSY-THRUST REVERSER LWR BLOCKER (LIMITED) (PRE SB 767-78-0006)	B	RF
-5M	015T0263-14		DOOR ASSY-THRUST REVERSER LWR BLOCKER (LIMITED) (POST SB 767-78-0006) (PRE SB 767-78-0036)	B	RF
-5N	315T3509-72		DOOR ASSY-THRUST REVERSER LWR BLOCKER (POST SB 767-78-0006)	B	RF
-5P	015T0263-20		DOOR ASSY-THRUST REVERSER LWR BLOCKER (POST SB 767-78-0006) (PRE SB 767-78-0036)	D	RF
-5Q	315T3509-110		DOOR ASSY-THRUST REVERSER LWR BLOCKER (POST SB 767-78-0006) (PRE SB 767-78-0036)	D	RF
-5R	015T0530-10		DOOR ASSY-THRUST REVERSER LWR BLOCKER (LIMITED) (POST SB 767-78-0036)	B	RF
-5S	015T0530-16		DOOR ASSY-THRUST REVERSER LWR BLOCKER (POST SB 767-78-0036)	D	RF
-5T	015T0530-28		DOOR ASSY-THRUST REVERSER LWR BLOCKER (POST SB 767-78-0036)	D	RF
10	315T3584-1		.FITTING ASSY-HINGE (OPT ITEM 10C) (USED ON ITEMS 5, 5J, 5L)	B	1

78-31-22

ILLUSTRATED PARTS LIST
 01.1 Page 1088A
 Nov 01/03

FIG. & ITEM	PART NO.	AIRLINE PART NUMBER	NOMENCLATURE 1234567	EFF CODE	QTY PER ASSY
04- -10A	315T3584-9		.FITTING ASSY-HINGE (OPT ITEM 10C) (USED ON ITEMS 5, 5J, 5L)	B	1
-10C	315T3584-11		.FITTING ASSY-HINGE (OPT ITEMS 10, 10A) (USED ON ITEMS 5, 5J, 5L)	B	1
-10D	315T3584-11		.FITTING ASSY-HINGE (USED ON ITEM 5A)	B,D,H	1
-10E	315T3584-11		.FITTING ASSY-HINGE (OPT ITEM 10F) (USED ON ITEMS 5F, 5Q)	D,K	1
-10F	315T3584-15		.FITTING ASSY-HINGE (OPT ITEM 10E) (USED ON ITEMS 5F, 5Q)	D,K	1
-10G	315T3584-19		.FITTING ASSY-HINGE (USED ON ITEM 5H)	D,G	1
15	315T3584-2		.FITTING ASSY-HINGE (OPT ITEM 15D) (USED ON ITEMS 1, 1J, 1L)	A	1
-15A	315T3584-10		.FITTING ASSY-HINGE (OPT ITEM 15D) (USED ON ITEMS 1, 1J, 1L)	A	1
-15D	315T3584-12		.FITTING ASSY-HINGE (OPT ITEMS 15, 15A) (USED ON ITEMS 1, 1J, 1L)	A	1
-15E	315T3584-12		.FITTING ASSY-HINGE (USED ON ITEM 1A)	A,C,F	1
-15F	315T3584-12		.FITTING ASSY-HINGE (OPT ITEM 15G) (USED ON ITEMS 1F, 1Q)	C,J	1
-15G	315T3584-16		.FITTING ASSY-HINGE (OPT ITEM 15F) (USED ON ITEMS 1F, 1Q)	C,J	1
-15H	315T3584-20		.FITTING ASSY-HINGE (USED ON ITEM 1H)	C,E	1

78-31-22

 ILLUSTRATED PARTS LIST
 01.1 Page 1088B
 Nov 01/03

FIG. & ITEM	PART NO.	AIRLINE PART NUMBER	NOMENCLATURE 1234567	EFF CODE	QTY PER ASSY
04- 20	HL523AZ6-5		ATTACHING PARTS .BOLT- (V56878) (SPEC BACB30NZ6K5) (OPT HL523AZ6-5 (V92215)) (OPT L804-6K5 (V06725)) (OPT HL523AZ6-5 (V06725)) (OPT HL523AZ6-5 (V73197)) (OPT HL523AZ6-5 (V73197)) (OPT HL523AZ6-5 (V60516)) (OPT HL523AZ6-5 (VOPTK6))	A-K	2
23	HL523AZ6-18		.BOLT- (V56878) (SPEC BACB30NZ6K18) (OPT HL523AZ6-18 (V06725)) (OPT L804-6K18 (V06725)) (OPT HL523AZ6-18 (V92215)) (OPT HL523AZ6-18 (V73197)) (OPT HL523AZ6-18 (V97928)) (OPT HL523AZ6-18 (VOPTK6)) (OPT HL523AZ6-18 (V60516))	A-K	2
25	315T3508-26		.SHIM- (QTY 4 ITEM 38A OPT TO QTY 1 ITEM 25 AND QTY 1 ITEM 45) (USED ON ITEMS 1, 1J, 1L)	A	AR

78-31-22

FIG. & ITEM	PART NO.	AIRLINE PART NUMBER	NOMENCLATURE 1234567	EFF CODE	QTY PER ASSY
04-30	315T3508-25		.SHIM- (QTY 4 ITEM 38B OPT TO QTY 1 ITEM 30 AND QTY 1 ITEM 50) (USED ON ITEMS 5, 5J, 5L)	B	AR
35	BACS40R10C22F		.SHIM- (QTY 4 ITEM 38 OPT TO QTY 1 ITEM 35 AND QTY 1 ITEM 36) (USED ON ITEMS 1A, 5A)	A-K	AR
-36	BACS40R11C22F		.SHIM- (QTY 4 ITEM 38 OPT TO QTY 1 ITEM 35 AND QTY 1 ITEM 36) (USED ON ITEMS 1A, 5A)	A-D,F ,H-K	AR
38	BACS40R10C10F		.SHIM- (QTY 4 ITEM 38 OPT TO QTY 1 ITEM 35 AND QTY 1 ITEM 36) (USED ON ITEMS 1A, 5A)	A-D,F ,H-K	AR
-38A	BACS40R10C10F		.SHIM- (QTY 4 ITEM 38A OPT TO QTY 1 ITEM 25 AND QTY 1 ITEM 45) (USED ON ITEMS 1, 1J, 1L)	A	AR
-38B	BACS40R10C10F		.SHIM- (QTY 4 ITEM 38B OPT TO QTY 1 ITEM 30 AND QTY 1 ITEM 50) (USED ON ITEMS 5, 5J, 5L)	B	AR

78-31-22

 ILLUSTRATED PARTS LIST
 01.1 Page 1088D
 Nov 01/03

315T3500
 315T3001
 315T4026 DASH NUMBERS
 LIMITED

 **BOEING**
 COMPONENT
 MAINTENANCE MANUAL

FIG. & ITEM	PART NO.	AIRLINE PART NUMBER	NOMENCLATURE 1234567	EFF CODE	QTY PER ASSY
04-45	315T3508-46		.SHIM- (QTY 4 ITEM 38A OPT TO QTY 1 ITEM 25 AND QTY 1 ITEM 45) (USED ON ITEMS 1, 1J, 1L)	A	AR
-50	315T3508-45		.SHIM- (QTY 4 ITEM 38B OPT TO QTY 1 ITEM 30 AND QTY 1 ITEM 50) (USED ON ITEMS 5, 5J)	B	AR
55	HL79-6		.COLLAR- (V5M902) (SPEC BACC30M6) (OPT HL79-6 (V73197)) (OPT HL79-6 (V92215)) (OPT 66014-6 (V56878)) (OPT HL79-6 (V56878))	A-K	4
60	VTB04540		-----*----- ..BEARING ASSY- (V06710) (SPEC S302T001-301A) (OPT P21620 (V57606)) (OPT USB4-136 (V02758)) (FOR DETAILS SEE FIG. 81)	A-K	1
60B	USB4-136		..BEARING ASSY- (V02758) (SPEC S302T001-301A) (OPT P21620 (V57606)) (OPT VTB04540 (V06710))	A-K	1

78-31-22

ILLUSTRATED PARTS LIST
 01.1 Page 1088E
 Nov 01/03

FIG. & ITEM	PART NO.	AIRLINE PART NUMBER	NOMENCLATURE 1234567	EFF CODE	QTY PER ASSY
04-65	315T3584-3		..HINGE- (USED ON ITEM 10)	B	1
-70	315T3584-7		..HINGE- (USED ON ITEM 10A)	B	1
-71	315T3584-13		..HINGE- (USED ON ITEMS 10C, 10D, 10E)	B,D,H ,K	1
-71A	315T3584-17		..HINGE- (USED ON ITEM 10F)	D,K	1
-71B	315T3584-21		..HINGE- (USED ON ITEM 10G)	D,G	1
75	315T3584-4		..HINGE- (USED ON ITEM 15)	A	1
-80	315T3584-8		..HINGE- (USED ON ITEM 15A)	A	1
-81	315T3584-14		..HINGE- (USED ON ITEMS 15D, 15E, 15F)	A,C,F ,J	1
-81B	315T3584-18		..HINGE- (USED ON ITEM 15G)	C,J	1
-81C	315T3584-22		..HINGE- (USED ON ITEM 15H)	C,E	1
85	315T3580-7		.FITTING ASSY-HINGE (OPT ITEM 85A) (USED ON ITEMS 1, 1J, 1L)	A	1
-85A	315T3580-11		.FITTING ASSY-HINGE (OPT ITEM 85) (USED ON ITEMS 1, 1J, 1L)	A	1
-85B	315T3580-11		.FITTING ASSY-HINGE (USED ON ITEM 1A)	A,C,F	1
-85C	315T3580-11		.FITTING ASSY-HINGE (OPT ITEM 85D) (USED ON ITEMS 1F, 1H, 1L)	C,E,J	1
-85D	315T3580-15		.FITTING ASSY-HINGE (OPT ITEM 85C) (USED ON ITEMS 1F, 1H, 1L)	C,E,J	1

78-31-22

 ILLUSTRATED PARTS LIST
 01.1 Page 1088F
 Nov 01/03

315T3500
 315T3001
 315T4026 DASH NUMBERS
 LIMITED

 **BOEING**
 COMPONENT
 MAINTENANCE MANUAL

FIG. & ITEM	PART NO.	AIRLINE PART NUMBER	NOMENCLATURE 1234567	EFF CODE	QTY PER ASSY
04- -90	315T3580-8		.FITTING ASSY-HINGE (OPT ITEM 90A) (USED ON ITEMS 5, 5J, 5L)	B	1
-90A	315T3580-12		.FITTING ASSY-HINGE (OPT ITEM 90) (USED ON ITEMS 5, 5J, 5L)	B	1
-90B	315T3580-12		.FITTING ASSY-HINGE (USED ON ITEM 5A)	B,D,H	1
-90C	315T3580-12		.FITTING ASSY-HINGE (OPT ITEM 90D) (USED ON ITEMS 5F, 5H, 5Q)	D,G,K	1
-90D	315T3580-16		.FITTING ASSY-HINGE (OPT ITEM 90C) (USED ON ITEMS 5F, 5H, 5Q)	D,G,K	1
95	HL523AZ6-5		ATTACHING PARTS .BOLT- (V56878) (SPEC BACB30NZ6K5) (OPT HL523AZ6-5 (V92215)) (OPT L804-6K5 (V06725)) (OPT HL523AZ6-5 (V06725)) (OPT HL523AZ6-5 (V73197)) (OPT HL523AZ6-5 (V73197)) (OPT HL523AZ6-5 (V60516)) (OPT HL523AZ6-5 (VOPTK6))	A-K	2

78-31-22

ILLUSTRATED PARTS LIST
 01.1 Page 1088G
 Nov 01/03

FIG. & ITEM	PART NO.	AIRLINE PART NUMBER	NOMENCLATURE 1234567	EFF CODE	QTY PER ASSY
04-100	HL523AZ6-18		.BOLT- (V56878) (SPEC BACB30NZ6K18) (OPT HL523AZ6-18 (V06725)) (OPT L804-6K18 (V06725)) (OPT HL523AZ6-18 (V92215)) (OPT HL523AZ6-18 (V73197)) (OPT HL523AZ6-18 (V97928)) (OPT HL523AZ6-18 (VOPTK6)) (OPT HL523AZ6-18 (V60516))	A-K	2
102	BACS40R10C22F		.SHIM- (QTY 4 ITEM 103B OPT TO QTY 1 ITEM 102 AND QTY 1 ITEM 103) (USED ON ITEMS 1A, 5A)	A-K	AR
103	BACS40R11C22F		.SHIM- (QTY 4 ITEM 103B OPT TO QTY 1 ITEM 102 AND QTY 1 ITEM 103) (USED ON ITEMS 1A, 5A)	A-K	AR
103B	BACS40R10C10F		.SHIM- (QTY 4 ITEM 103B OPT TO QTY 1 ITEM 102 AND QTY 1 ITEM 103) (USED ON ITEMS 1A, 5A)	A-K	AR
-103C	BACS40R10C10F		.SHIM- (QTY 4 ITEM 103C OPT TO QTY 2 ITEM 105) (USED ON ITEMS 1, 1J, 1L)	A	AR
-103D	BACS40R10C10F		.SHIM- (QTY 4 ITEM 103D OPT TO QTY 2 ITEM 110) (USED ON ITEMS 5, 5J, 5L)	B	AR

78-31-22

 ILLUSTRATED PARTS LIST
 01.1 Page 1088H
 Nov 01/03

315T3500
 315T3001
 315T4026 DASH NUMBERS
 LIMITED

 **BOEING**
 COMPONENT
 MAINTENANCE MANUAL

FIG. & ITEM	PART NO.	AIRLINE PART NUMBER	NOMENCLATURE 1234567	EFF CODE	QTY PER ASSY
04-105	315T3507-19		.SHIM- (QTY 4 ITEM 103C OPT TO QTY 2 ITEM 105) (USED ON ITEMS 1, 1J)	A	AR
-110	315T3507-20		.SHIM- (QTY 4 ITEM 103D OPT TO QTY 2 ITEM 110) (USED ON ITEMS 5, 5J)	B	AR
115	HL79-6		.COLLAR- (V5M902) (SPEC BACC30M6) (OPT HL79-6 (V73197)) (OPT HL79-6 (V92215)) (OPT 66014-6 (V56878)) (OPT HL79-6 (V56878)) -----*	A-K	4
120	VTB04540		..BEARING ASSY- (V06710) (SPEC S302T001-301A) (OPT P21620 (V57606)) (OPT USB4-136 (V02758)) (FOR DETAILS SEE FIG. 81)	A-K	1
-120B	USB4-136		..BEARING ASSY- (V02758) (SPEC S302T001-301A) (OPT P21620 (V57606)) (OPT VTB04540 (V06710))	A-K	1

78-31-22

ILLUSTRATED PARTS LIST
 01.1 Page 1088I
 Nov 01/03

FIG. & ITEM	PART NO.	AIRLINE PART NUMBER	NOMENCLATURE 1234567	EFF CODE	QTY PER ASSY
04-125	315T3580-9		..HINGE- (USED ON ITEM 85)	A	1
-125A	315T3580-13		..HINGE- (USED ON ITEMS 85A, 85B, 85C)	A,C,E ,F,J	1
-125B	315T3580-17		..HINGE- (USED ON ITEM 85D)	C,E,J	1
-130	315T3580-10		..HINGE- (USED ON ITEM 90)	B	1
-130A	315T3580-14		..HINGE- (USED ON ITEMS 90A, 90B, 90C)	B,D,G ,H,K	1
-130B	315T3580-18		..HINGE- (USED ON ITEM 90D)	D,G,K	1
135	315T3581-3		.FITTING ASSY-LINK ATTACH (PRE SB 767-78-0006)	A,B	1
135A	315T3581-7		.FITTING ASSY-LINK ATTACH (OPT ITEM 135B) (USED ON ITEMS 1B, 5B) (PRE SB 767-78-0006)	C,D	1
135B	315T3581-11		.FITTING ASSY-LINK ATTACH (OPT ITEMS 135A, 135D) (USED ON ITEMS 1B, 5B) (PRE SB 767-78-0006)	C,D	1
-135D	315T3581-5		.FITTING ASSY-LINK ATTACH (OPT ITEMS 135A, 135B) (USED ON ITEMS 1B, 5B) (PRE SB 767-78-0006)	C,D	1
-135E	315T3581-5		.FITTING ASSY-LINK ATTACH (OPT ITEM 135F)	F,H	1
-135F	315T3581-7		.FITTING ASSY-LINK ATTACH (OPT ITEM 135E)	F,H	1
-135G	315T3581-12		.FITTING ASSY-LINK ATTACH (USED ON ITEMS 1E, 5E) (PRE SB 767-78-0006)	C,D	1
-135H	315T3581-13		.FITTING ASSY-LINK ATTACH (USED ON ITEMS 1F, 1H, 1Q, 5F, 5H, 5Q)	C-E,G ,J,K	1

78-31-22

 ILLUSTRATED PARTS LIST
 01.1 Page 1088J
 Nov 01/03

FIG. & ITEM	PART NO.	AIRLINE PART NUMBER	NOMENCLATURE 1234567	EFF CODE	QTY PER ASSY
04- -135L	315T3581-11		.FITTING ASSY-LINK ATTACH (OPT ITEM 135M) (POST SB 767-78-0006)	A,B	1
-135M	315T3581-7		.FITTING ASSY-LINK ATTACH (OPT ITEM 135L) (POST SB 767-78-0006)	A,B	1
-135N	015T0263-6		.FITTING ASSY-LINK ATTACH (OPT ITEMS 135P, 135Q) (USED ON ITEMS 1B, 5B) (POST SB 767-78-0006)	C,D	1
-135P	315T3581-13		.FITTING ASSY-LINK ATTACH (OPT ITEMS 135N, 135Q) (USED ON ITEMS 1B, 5B) (POST SB 767-78-0006)	C,D	1
-135Q	015T0263-5		.FITTING ASSY-LINK ATTACH (OPT ITEMS 135N, 135P) (USED ON ITEMS 1B, 5B) (POST SB 767-78-0006)	C,D	1
140	HL523AZ6-18		ATTACHING PARTS .BOLT- (V56878) (SPEC BACB30NZ6K18) (OPT HL523AZ6-18 (V06725)) (OPT L804-6K18 (V06725)) (OPT HL523AZ6-18 (V92215)) (OPT HL523AZ6-18 (V73197)) (OPT HL523AZ6-18 (V97928)) (OPT HL523AZ6-18 (V0PTK6)) (OPT HL523AZ6-18 (V60516))	A-K	4
143	BACS40R15B38F		.SHIM- (USED ON ITEMS 1A, 5A)	A,B,F ,H	2
143B	BACS40R10B38F		.SHIM- (USED ON ITEMS 1, 1J, 1L, 5, 5J, 5L)	A,B,G	2

78-31-22

FIG. & ITEM	PART NO.	AIRLINE PART NUMBER	NOMENCLATURE 1234567	EFF CODE	QTY PER ASSY
04-145	HL79-6		.COLLAR- (V5M902) (SPEC BACC30M6) (OPT HL79-6 (V73197)) (OPT HL79-6 (V92215)) (OPT 66014-6 (V56878)) (OPT HL79-6 (V56878)) -----*	A,B	4
145A	KFN600-3		.NUT- (V56878) (SPEC BACN10XJ3) (OPT KFN600-3 (V92215)) (OPT KFN600-3S (V15653)) (OPT KFN600-3S (V92215)) (OPT BH00309-3 (V27238)) (OPT BH00309-3S (V27238)) (OPT KFN600-3 (V15653)) (OPT KFN600-3 (V9N513)) (OPT KFN600-3 (V06950))	C-K	4
150	315T3581-4		..STRIP-RUB	A-K	1
155	315T3581-1		..FITTING	A,B	1
-156	315T3581-6		..FITTING- (USED ON ITEMS 135D, 135E)	C,D,F ,H	1
-157	315T3581-8		..FITTING- (USED ON ITEMS 135A, 135F, 135M)	C,D,F ,H	1
158	315T3581-10		..FITTING- (USED ON ITEMS 135B, 135G, 135H, 135L)	C-E,G ,J,K	1
159	315T3593-1		..BUSHING- (USED ON ITEMS 135D, 135E)	C,D,F ,H	1

78-31-22

 ILLUSTRATED PARTS LIST
 01.1 Page 1088L
 Nov 01/03

315T3500
 315T3001
 315T4026 DASH NUMBERS
 LIMITED

 **BOEING**
 COMPONENT
 MAINTENANCE MANUAL

FIG. & ITEM	PART NO.	AIRLINE PART NUMBER	NOMENCLATURE 1234567	EFF CODE	QTY PER ASSY
04-159A	315T3593-2		..BUSHING- (USED ON ITEMS 135D, 135E)	C,D,F ,H	1
160	BACB28AM06B017		..BUSHING- (USED ON ITEMS 135A, 135B, 135F, 135G, 135L, 135M)	C,D,F ,H	1
-160J	BACB28AP06P016		..BUSHING- (USED ON ITEMS 135H, 135P)	C-E,G ,J,K	1
161	BACB28AP04P017		..BUSHING- (USED ON ITEMS 135A, 135B, 135F, 135G, 135H, 135L, 135M, 135P)	C-K	1
205	315T3509-49		.PANEL ASSY- (USED ON ITEMS 1, 1J, 1L)	A	1
-205A	315T3509-73		.PANEL ASSY- (USED ON ITEM 1A)	A,F	1
-205B	315T3509-103		.PANEL ASSY	E,J	1
-207	315T3509-95		.PANEL ASSY	C	1
-210	315T3509-50		.PANEL ASSY- (USED ON ITEMS 5, 5J)	B	1
-210A	315T3509-74		.PANEL ASSY- (USED ON ITEM 5A)	B,H	1
-210B	315T3509-104		.PANEL ASSY	G,K	1
-212	315T3509-96		.PANEL ASSY	D	1
230	BACB30LJ4U35		.BOLT	C-K	1
235	315T3593-4		.WASHER	C-K	2
240	AN960C616L		.WASHER- (USED ON ITEMS 1B, 5B)	C,D,F ,H	AR
-240A	AN960C416L		.WASHER- (USED ON ITEMS 1E, 1F, 1H, 1Q, 5E, 5F, 5H, 5Q)	C-E,G ,J,K	AR
245	AN960C616		.WASHER- (USED ON ITEMS 1B, 5B)	C,D,F ,H	AR
-245A	BACS40U4L3C		.SHIM- (USED ON ITEMS 1E, 1F, 1H, 1Q, 5E, 5F, 5H, 5Q)	C-E,G ,J,K	AR
250	NAS1805-4N		.NUT	C-K	1
255	315T3583-2		.SPRING	C-K	1
260	BACB28AK04-189		.BUSHING- (USED ON ITEMS 1B, 5B)	C,D,F ,H	1
-260A	315T3155-2		.BUSHING- (USED ON ITEMS 1E, 5E)	C,D	1

78-31-22

ILLUSTRATED PARTS LIST
 01.1 Page 1088M
 Nov 01/03

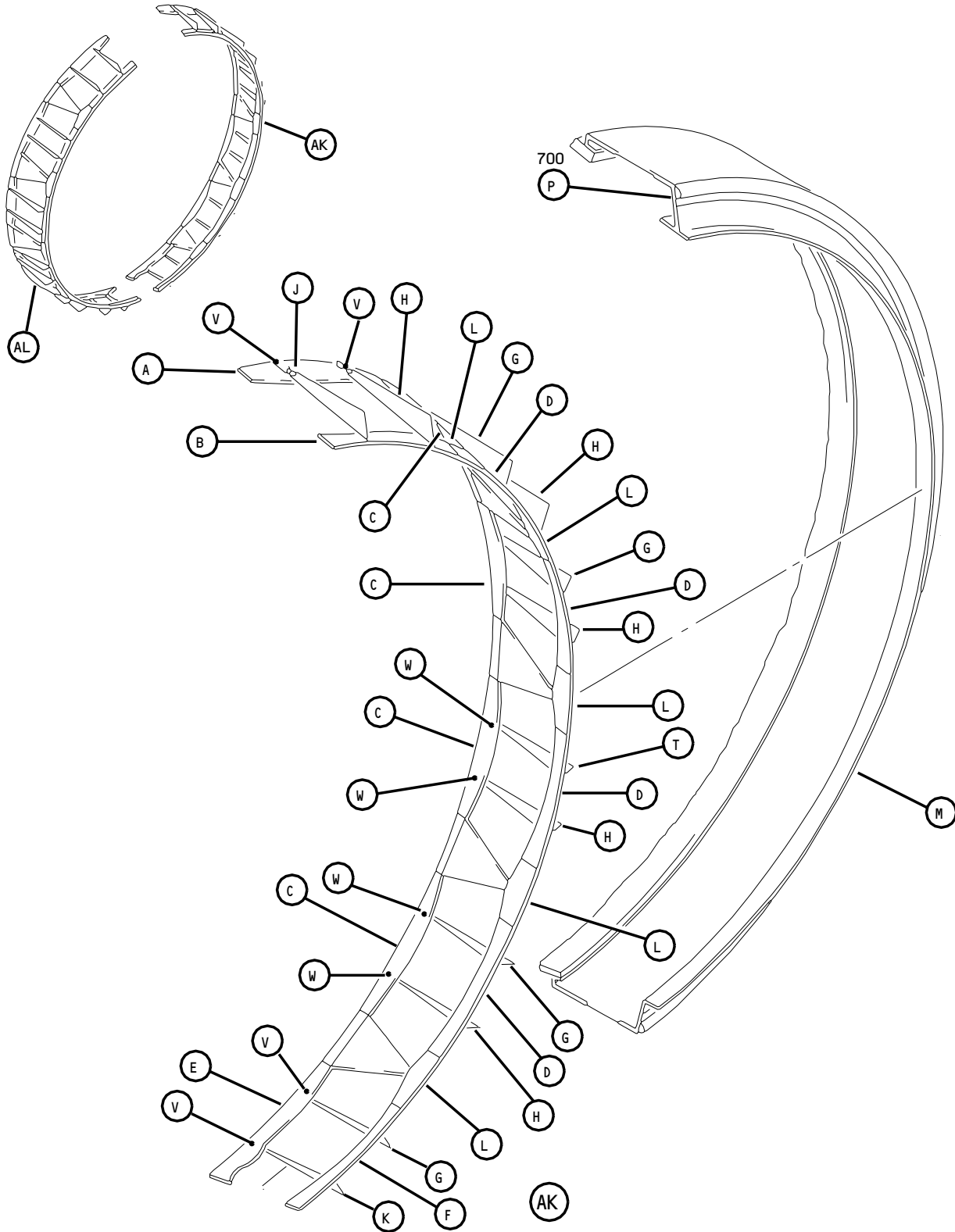
FIG. & ITEM	PART NO.	AIRLINE PART NUMBER	NOMENCLATURE 1234567	EFF CODE	QTY PER ASSY
04- -260B	KJB232504B		.BUSHING- (V50632) (OPT ITEM 260C) (USED ON ITEMS 1F, 1H, 1Q, 5F, 5H, 5Q)	C-E,G ,J,K	1
-260C	KDJ4-126		.BUSHING- (V97613) (OPT ITEM 260B) (USED ON ITEMS 1F, 1H, 1Q, 5F, 5H, 5Q)	C-E,G ,J,K	1
265	315T3593-3		.BUSHING- (PRE SB 767-78-0036)	C,D,F ,H-K	1
-265A	315T3593-7		.BUSHING	E,G	1
-265B	315T3593-7		.BUSHING- (POST SB 767-78-0036)	C,D,F ,H-K	1
270	315T3592-1		.LINK ASSY- (USED ON ITEMS 1B, 5B) (PRE SB 767-78-0006)	C,D	1
-270A	315T3592-3		.LINK ASSY- (USED ON ITEMS 1E, 5E) (PRE SB 767-78-0006)	C,D	1
-270B	315T3592-4		.LINK ASSY-PIVOT (USED ON ITEMS 1F, 1H, 1Q, 5F, 5H, 5Q) (PRE SB 767-78-0036)	C,D,J ,K	1
-270C	315T3592-5		.LINK ASSY-PIVOT	E,G	1
-270D	315T3592-1		.LINK ASSY	F,H	1
-270E	015T0263-8		.LINK ASSY- (POST SB 767-78-0006) (PRE SB 767-78-0036)	C,D	1
-270F	315T3592-4		.LINK ASSY- (POST SB 767-78-0006)	C,D	1
-270G	315T3592-5		.LINK ASSY-PIVOT (USED ON ITEMS 1F, 1H, 1Q, 5F, 5H, 5Q) (POST SB 767-78-0036)	C,D,J ,K	1
275A	L8006K6		..BOLT- (V06725) (SPEC BACB30MY6K6) (OPT HL10VAZ6-6 (VOPTK6))	C-K	1
280	BACW10BP3NDP		..WASHER- (USED ON ITEMS 270, 270A, 270B, 270D, 270F)	C,D,F ,H-K	2

78-31-22

 ILLUSTRATED PARTS LIST
 01.1 Page 1088N
 Nov 01/03

FIG. & ITEM	PART NO.	AIRLINE PART NUMBER	NOMENCLATURE 1234567	EFF CODE	QTY PER ASSY
04- -280A	BACW10BP3NAPU		..WASHER- (OPT ITEM 280B) (USED ON ITEMS 270C, 270G)	C,D,E ,G,J, K	2
-280B	BACW10BP3NPTU		..WASHER- (OPT ITEM 280A) (USED ON ITEMS 270C, 270G)	C,D,E ,G,J, K	2
285A	HL97KG6		..COLLAR- (V5M902) (SPEC BACC30AB6C) (OPT HL97PB6 (V92215)) (OPT HL97PB6 (V56878)) (OPT HL97KG6 (V73197)) (OPT HL97KG6 (V56878)) (OPT HL97PB6 (V73197))	C-K	1
290	BACB28AM06B016A		..BUSHING- (USED ON ITEMS 270, 270A, 270D)	C,D,F ,H	2
-290A	BACB28AP06P016		..BUSHING- (USED ON ITEM 270B, 270F)	C,D,J ,K	2
-290B	BACB28AP06-012		..BUSHING- (USED ON ITEMS 270C, 270G)	C,D,E ,G,J, K	2
295	BACB28AK03-016		..BUSHING	C-K	1
300	315T3592-2		..LINK- (USED ON ITEMS 270, 270A, 270B, 270D, 270F)	C,D,F ,H-K	1
305	315T3592-6		..LINK- (USED ON ITEMS 270C, 270G)	E,G	1

- Item Not Illustrated



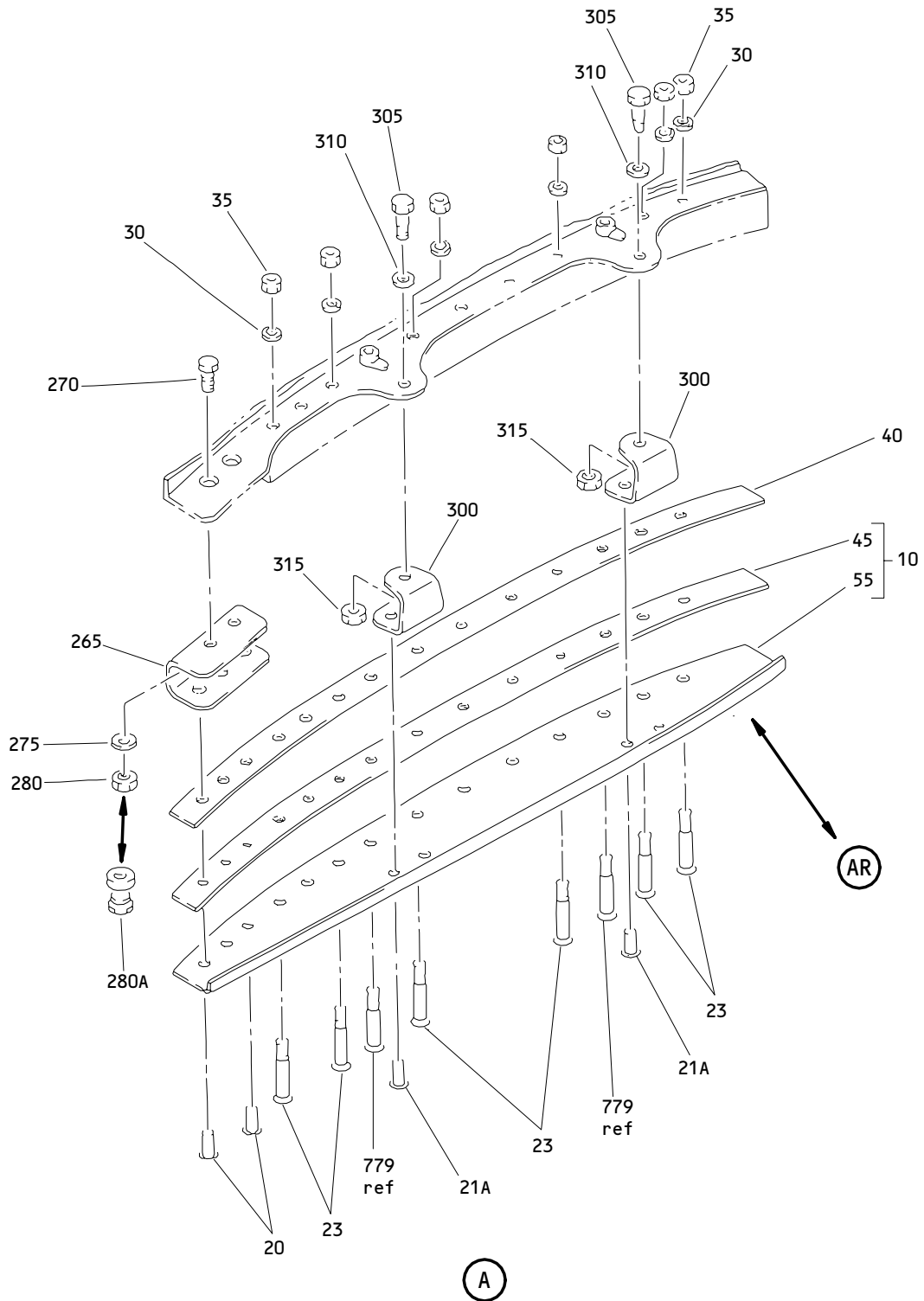
Hinge Support Diaphragm Assembly
 Figure 5 (Sheet 1)

78-31-22

ILLUSTRATED PARTS LIST
 01.1 Page 1088P
 Nov 01/03

315T3500
315T3001
315T4026 DASH NUMBERS
LIMITED

BOEING
COMPONENT
MAINTENANCE MANUAL

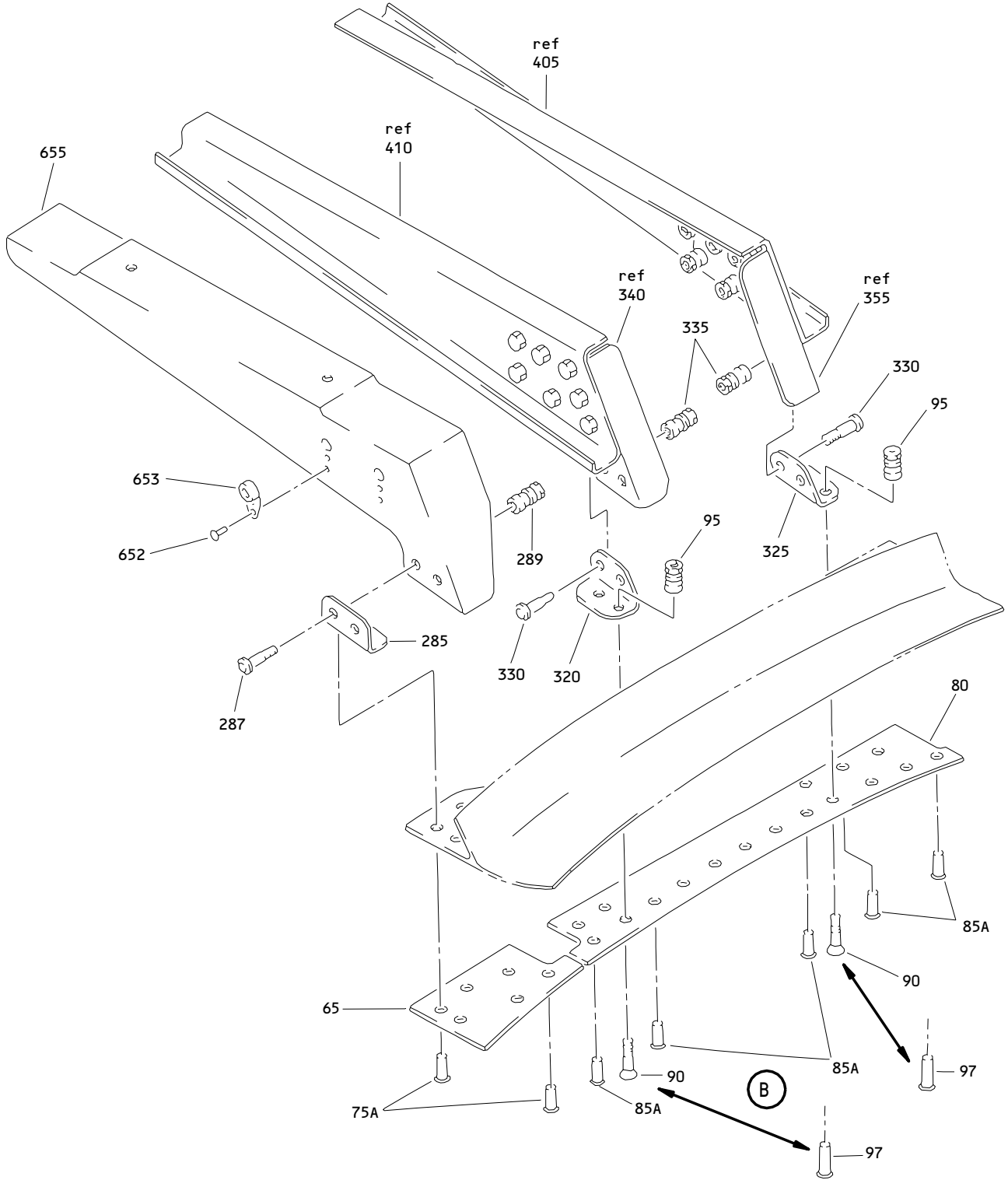


Hinge Support Diaphragm Assembly
Figure 5 (Sheet 2)

78-31-22

ILLUSTRATED PARTS LIST
01.1 Page 1088Q
Nov 01/03

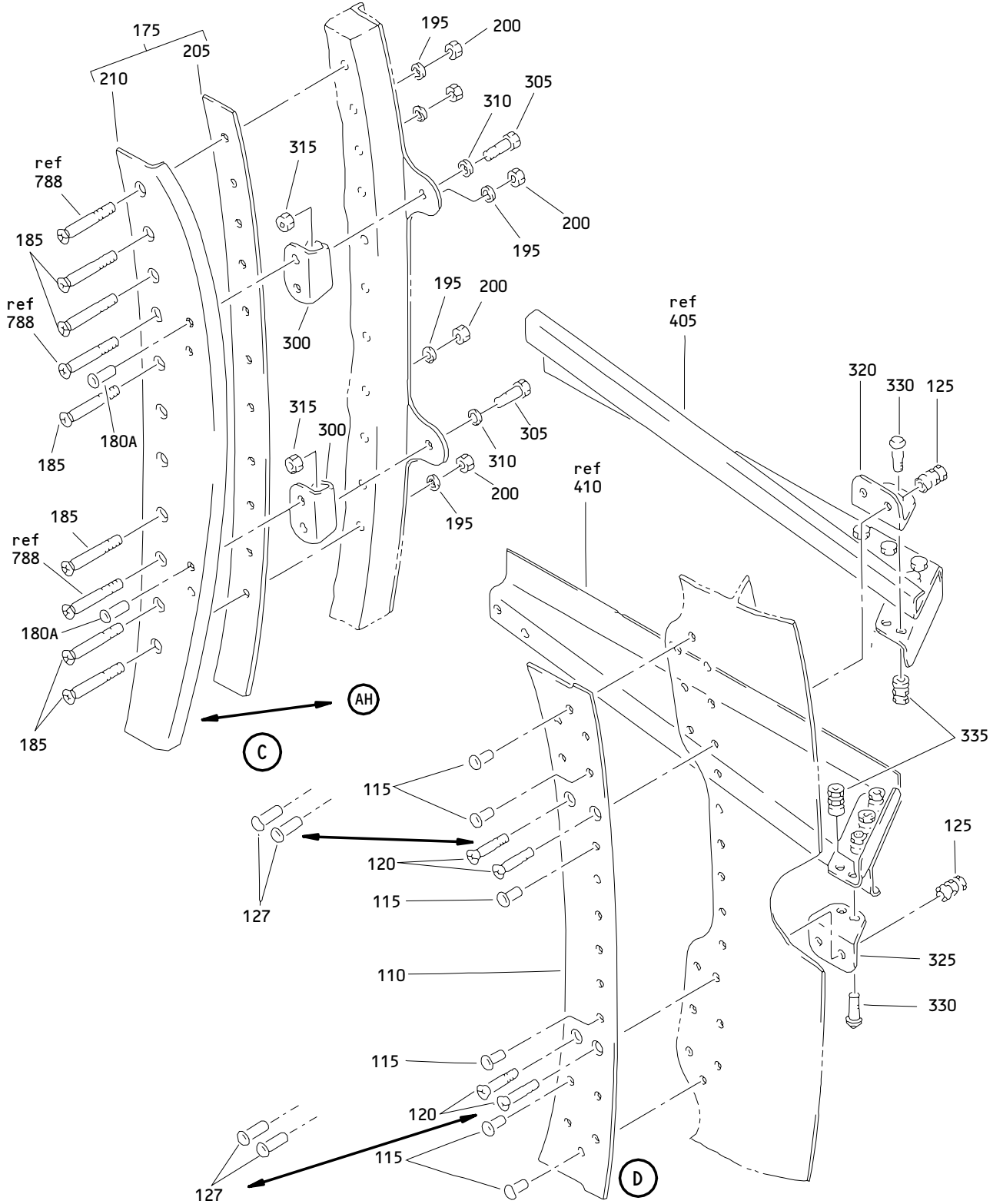
787929



Hinge Support Diaphragm Assembly
 Figure 5 (Sheet 3)

78-31-22

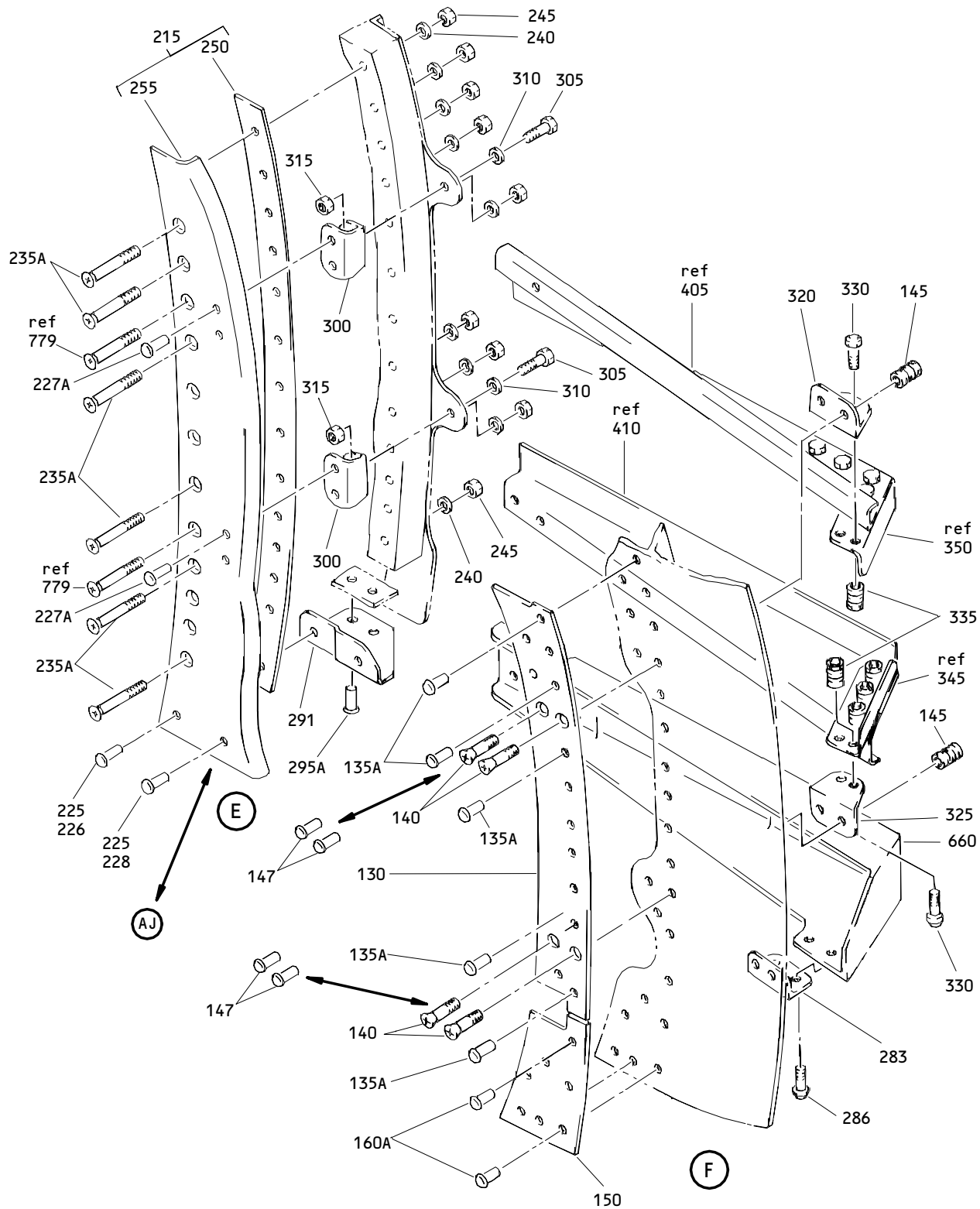
ILLUSTRATED PARTS LIST
 01.1 Page 1088R
 Nov 01/03



Hinge Support Diaphragm Assembly
Figure 5 (Sheet 4)

78-31-22

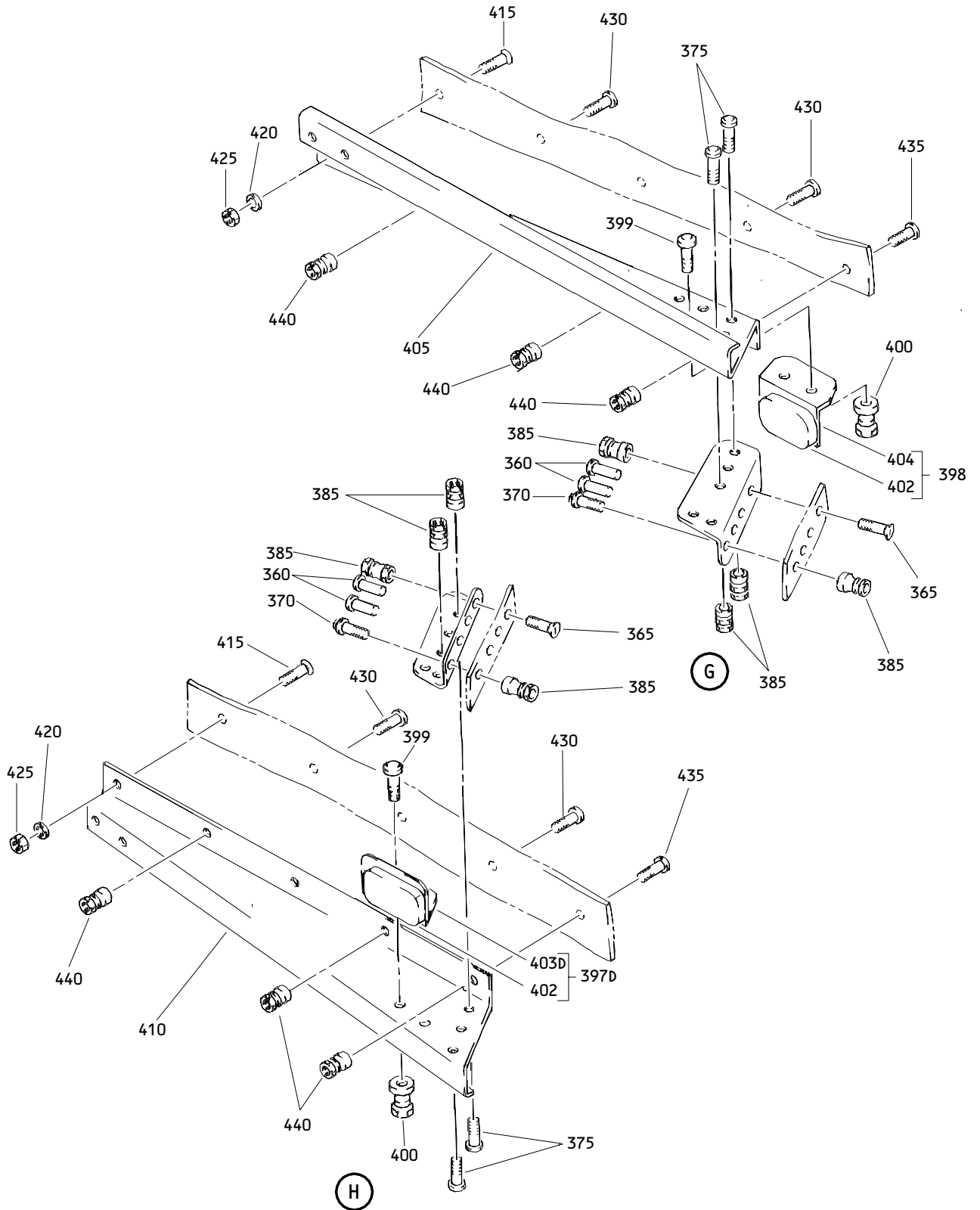
ILLUSTRATED PARTS LIST
01.1 Page 1088S
Nov 01/03



Hinge Support Diaphragm Assembly
 Figure 5 (Sheet 5)

78-31-22

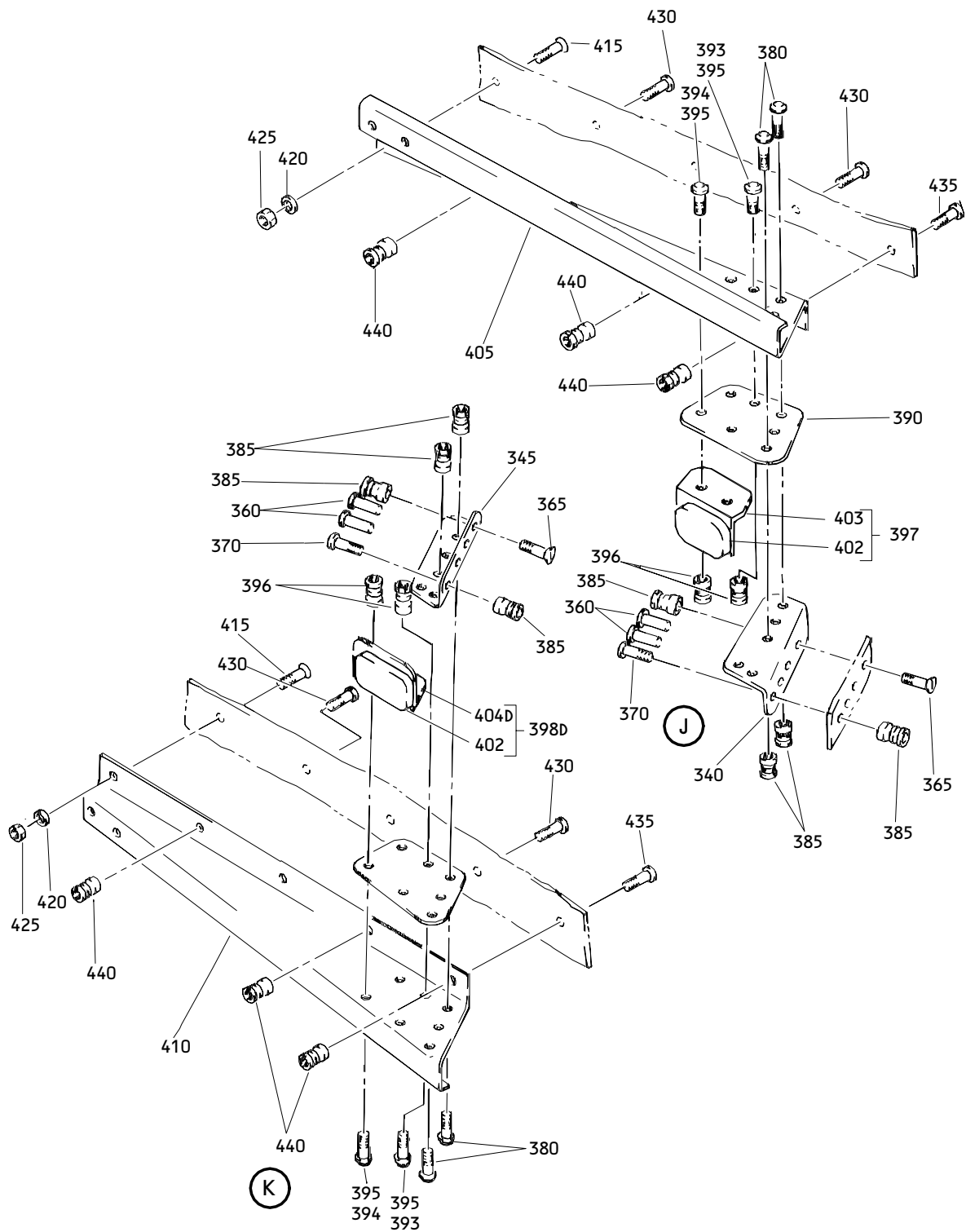
ILLUSTRATED PARTS LIST
 01.1 Page 1088T
 Nov 01/03



Hinge Support Diaphragm Assembly
Figure 5 (Sheet 6)

78-31-22

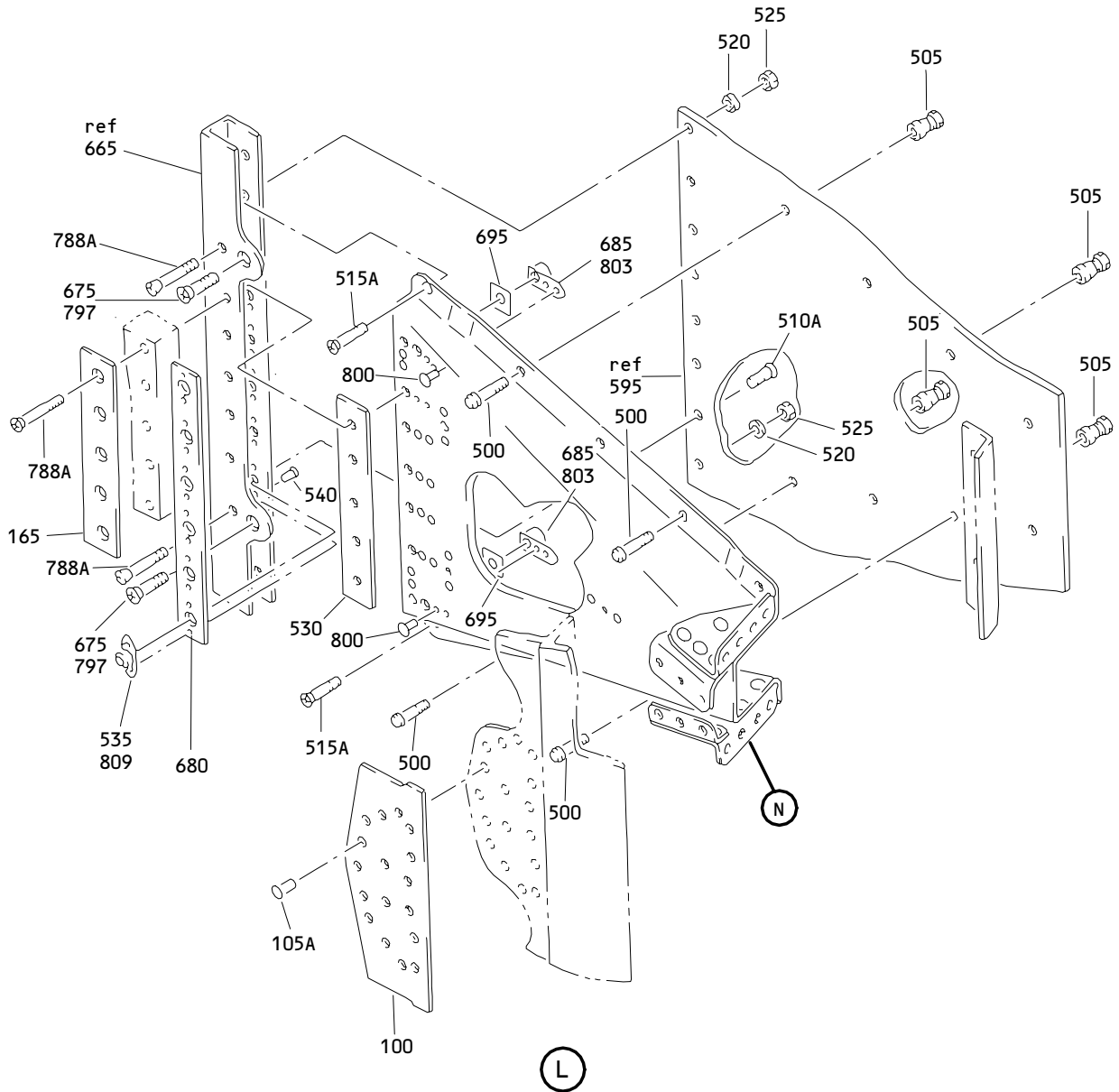
ILLUSTRATED PARTS LIST
01.1 Page 1088U
Nov 01/03



Hinge Support Diaphragm Assembly
 Figure 5 (Sheet 7)

78-31-22

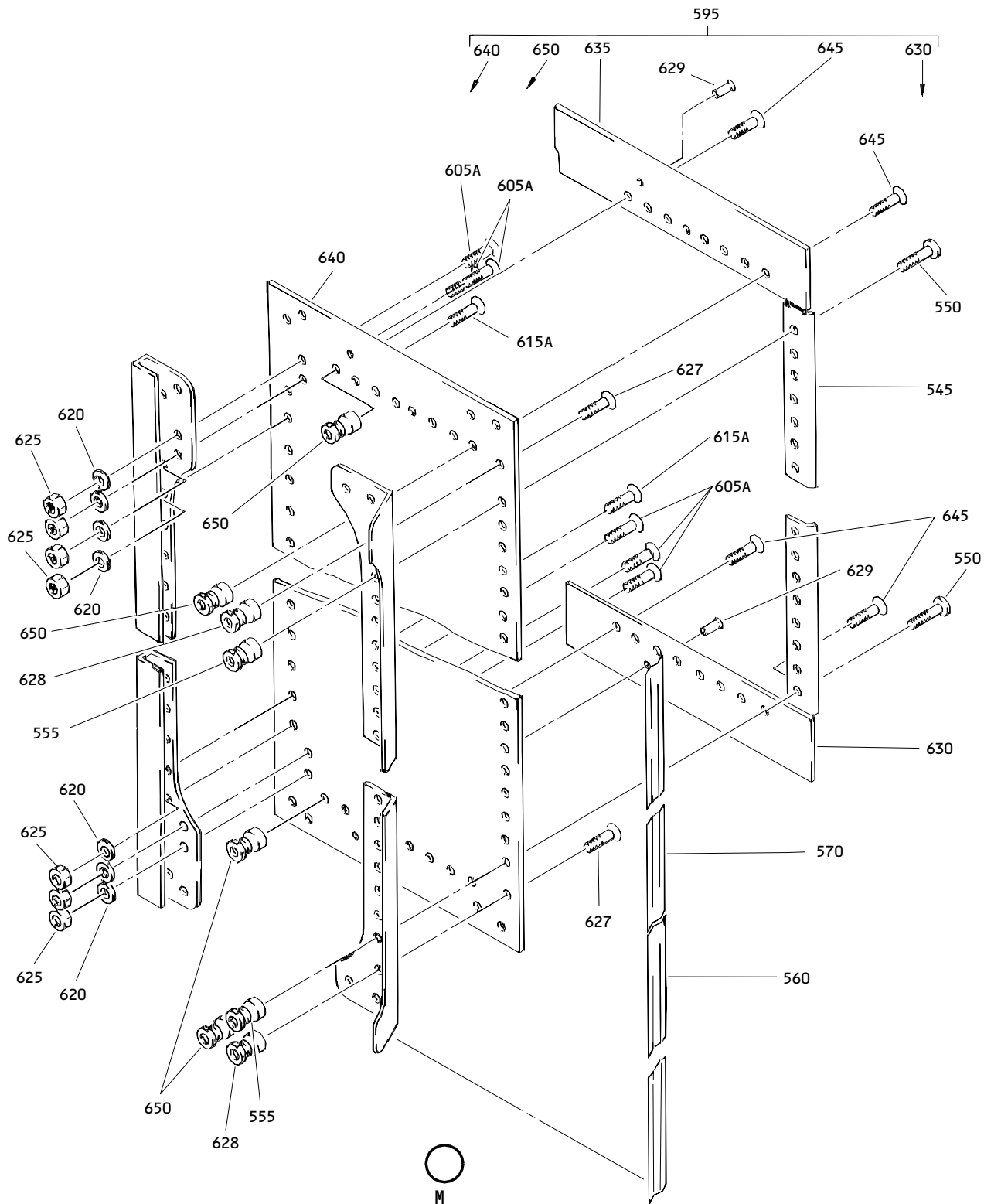
ILLUSTRATED PARTS LIST
 01.1 Page 1088V
 Nov 01/03



Hinge Support Diaphragm Assembly
Figure 5 (Sheet 8)

78-31-22

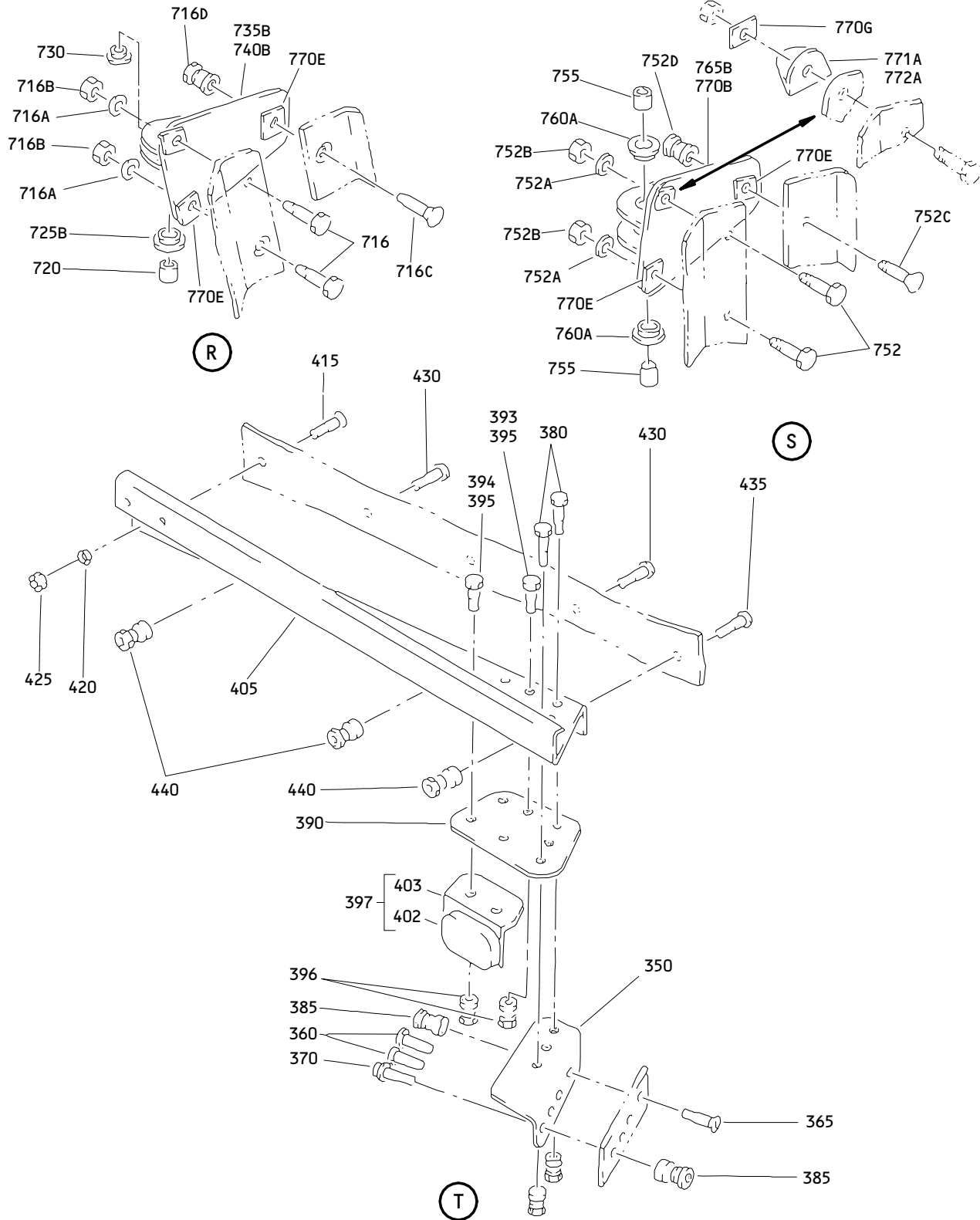
ILLUSTRATED PARTS LIST
01.1 Page 1088W
Nov 01/03



Hinge Support Diaphragm Assembly
 Figure 5 (Sheet 9)

78-31-22

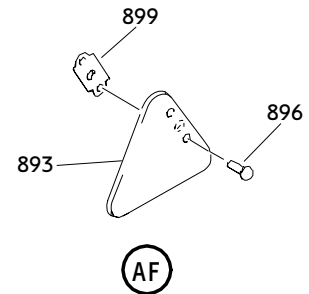
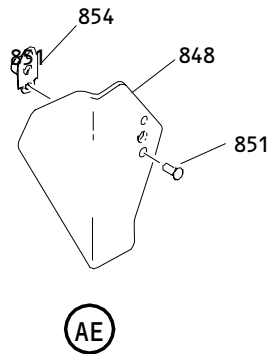
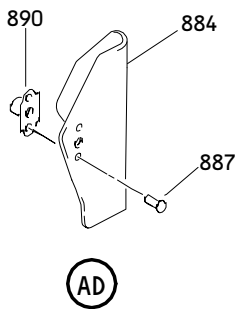
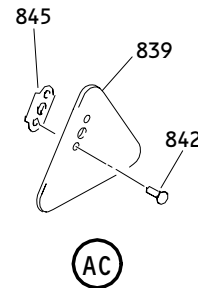
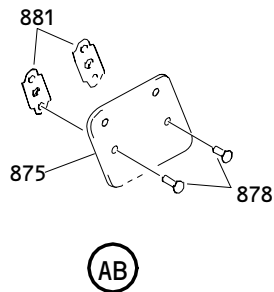
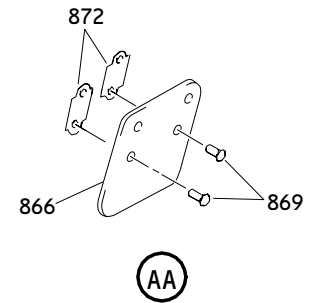
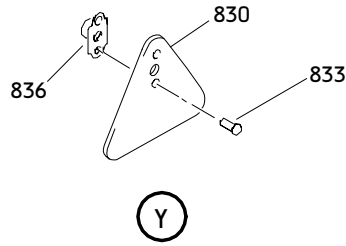
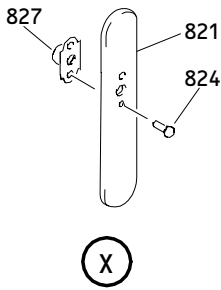
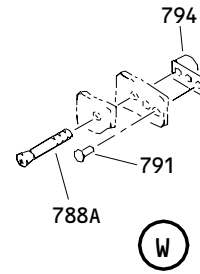
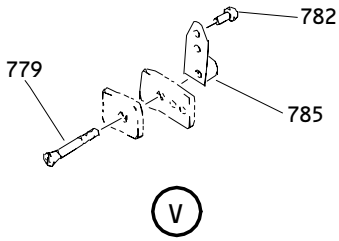
ILLUSTRATED PARTS LIST
 01.1 Page 1088X
 Nov 01/03



Hinge Support Diaphragm Assembly
 Figure 5 (Sheet 11)

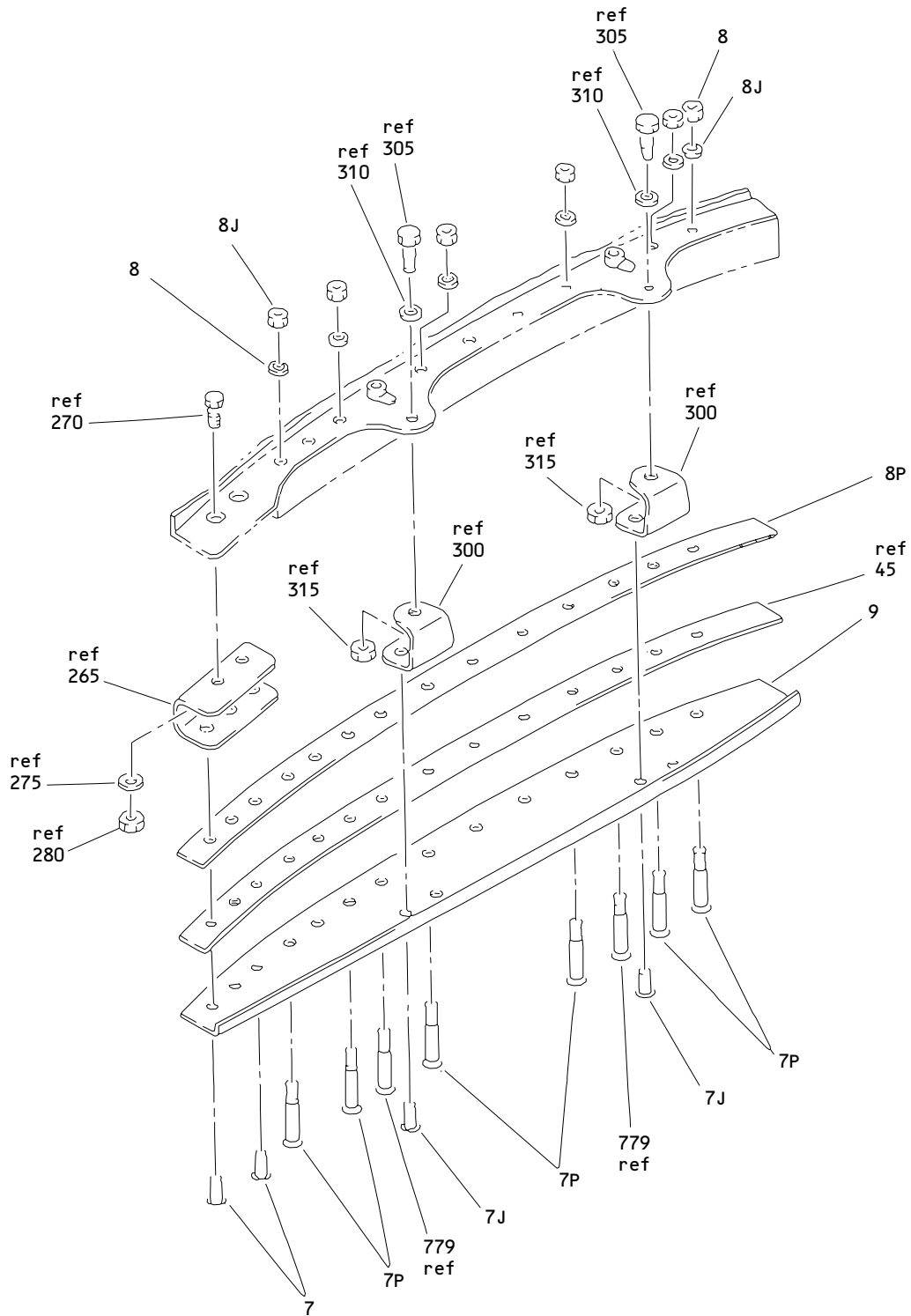
78-31-22

ILLUSTRATED PARTS LIST
 01.1 Page 1088Z
 Nov 01/03



Hinge Support Diaphragm Assembly
 Figure 5 (Sheet 12)

78-31-22

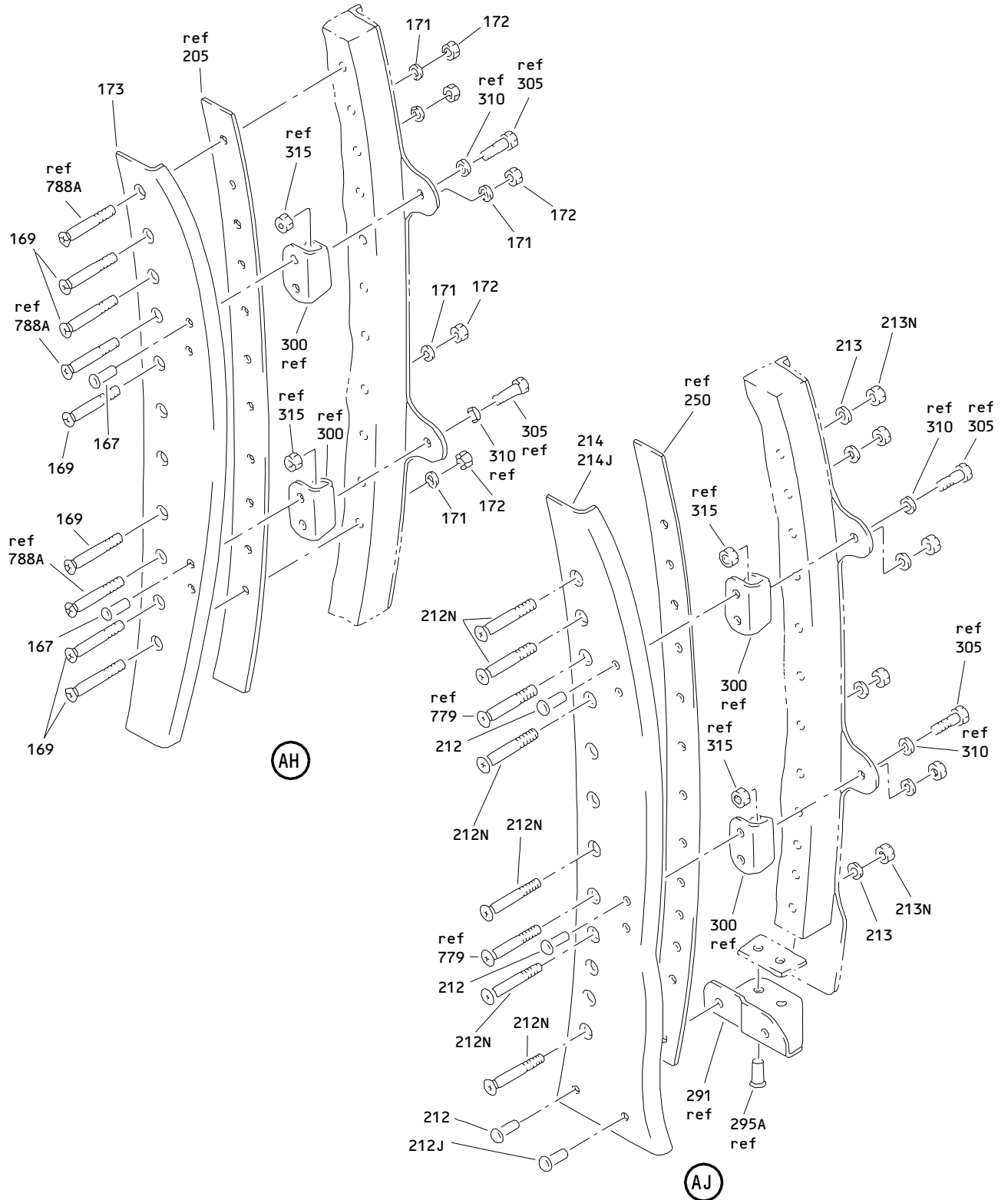


(AR)

Hinge Support Diaphragm Assembly
 Figure 5 (Sheet 13)

78-31-22

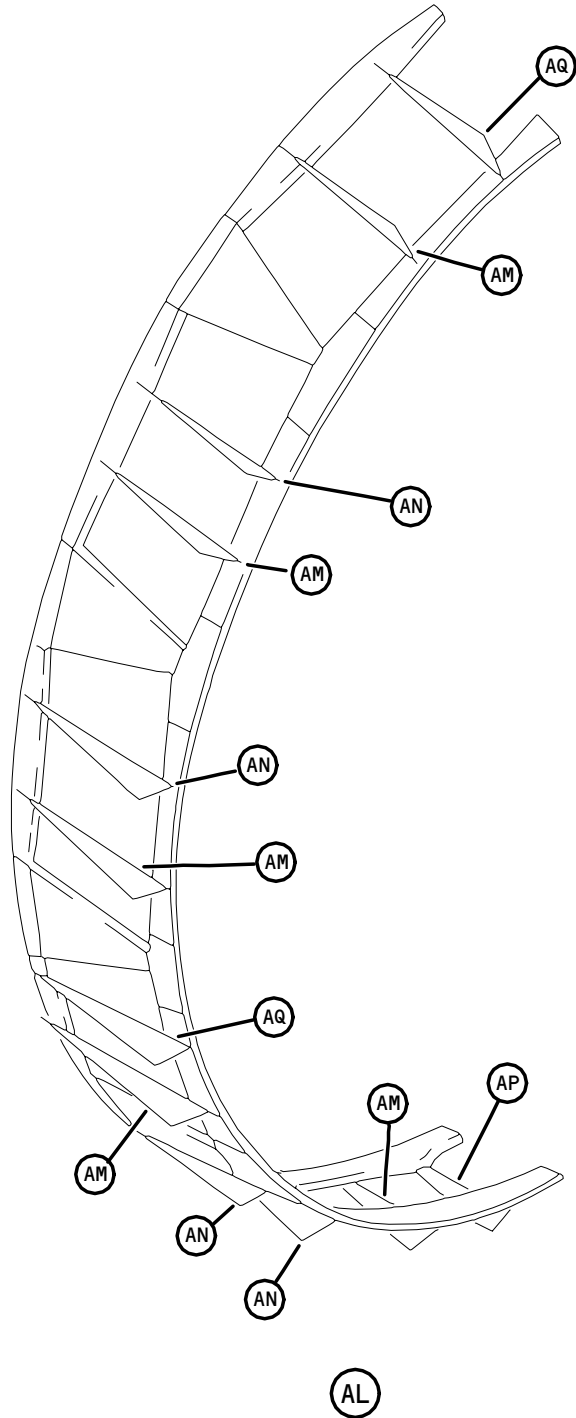
ILLUSTRATED PARTS LIST
 01.1 Page 1090
 Nov 01/03



Hinge Support Diaphragm Assembly
Figure 5 (Sheet 14)

78-31-22

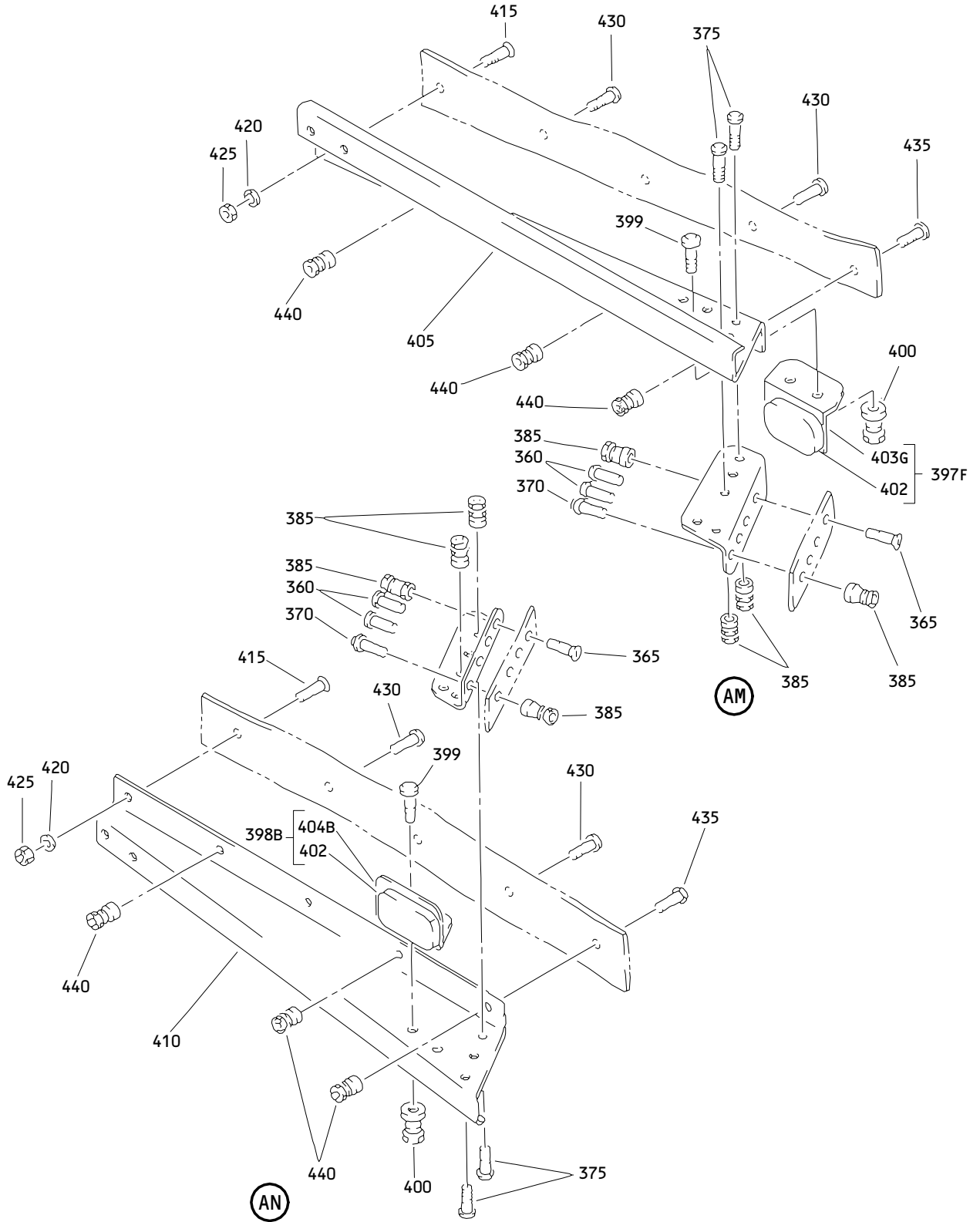
ILLUSTRATED PARTS LIST
01.1 Page 1090A
Nov 01/03



Hinge Support Diaphragm Assembly
Figure 5 (Sheet 15)

78-31-22

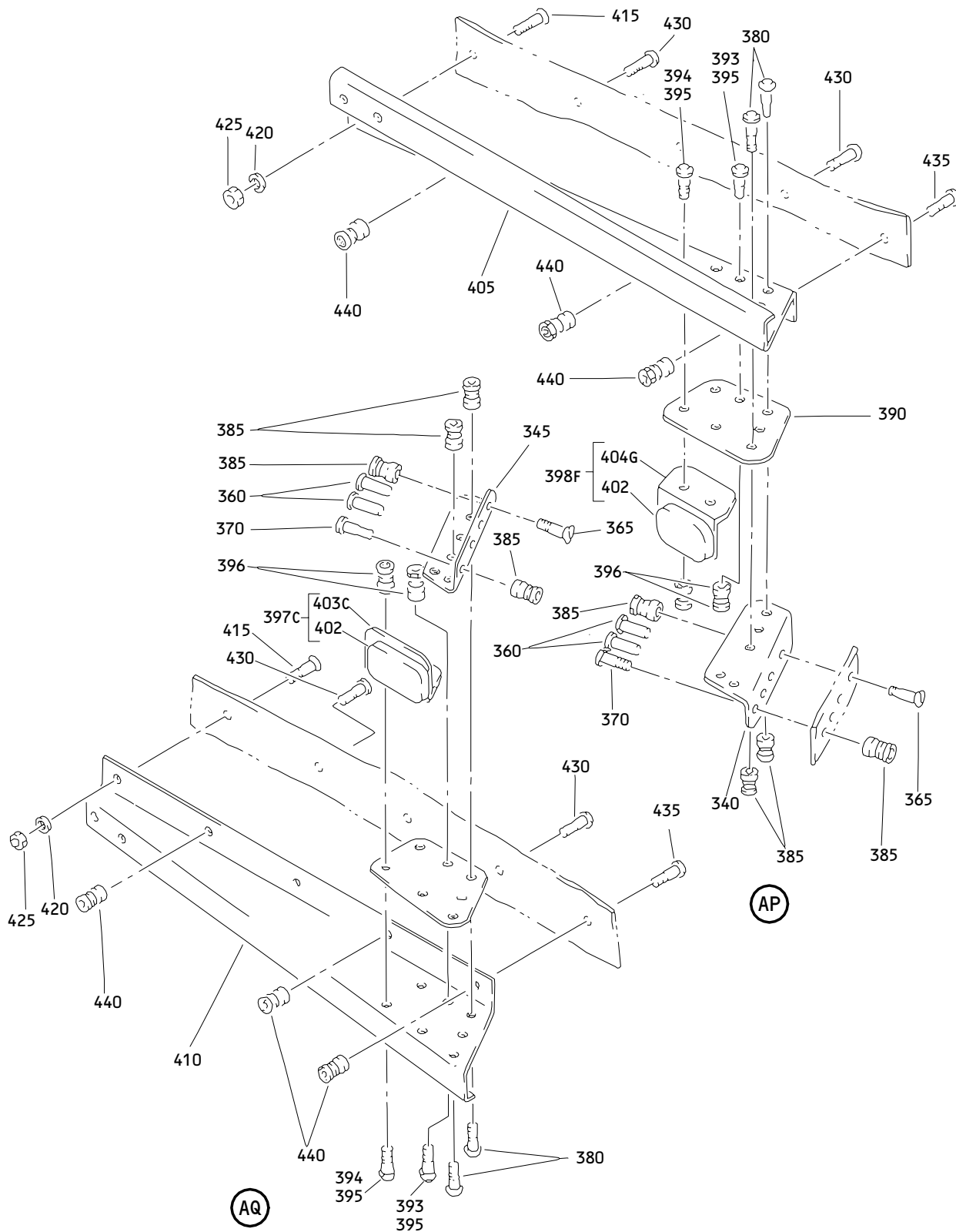
ILLUSTRATED PARTS LIST
01.1 Page 1090B
Nov 01/03



Hinge Support Diaphragm Assembly
 Figure 5 (Sheet 16)

78-31-22

ILLUSTRATED PARTS LIST
 01.1 Page 1090C
 Nov 01/03



Hinge Support Diaphragm Assembly
 Figure 5 (Sheet 17)

78-31-22

ILLUSTRATED PARTS LIST
 01.1 Page 1090D
 Nov 01/03

315T3500
 315T3001
 315T4026 DASH NUMBERS
 LIMITED

 **BOEING**
 COMPONENT
 MAINTENANCE MANUAL

FIG. & ITEM	PART NO.	AIRLINE PART NUMBER	NOMENCLATURE 1234567	EFF CODE	QTY PER ASSY
05- -1	315T3501-1		DIAPHRAGM ASSY-HINGE SPRT (LIMITED)	A	RF
-1A	315T3501-11		DIAPHRAGM ASSY-HINGE SPRT (LIMITED)	A	RF
-1B	315T3501-5001		DIAPHRAGM ASSY-HINGE SPRT (LIMITED)	A,C,E ,F	RF
-1C	315T3501-5003		DIAPHRAGM ASSY-HINGE SPRT (LIMITED)	A,C,E ,F	RF
-1D	315T3501-5027		DIAPHRAGM ASSY-HINGE SPRT (LIMITED)	A,C,E ,F	RF
-1E	315T3501-5029		DIAPHRAGM ASSY-HINGE SPRT (LIMITED)	A,C,E ,F	RF
-1F	315T3501-5031		DIAPHRAGM ASSY-HINGE SPRT	J	RF
-1G	315T3501-5033		DIAPHRAGM ASSY-HINGE SPRT (LIMITED)	A,C,E ,F	RF
-1H	315T3501-5035		DIAPHRAGM ASSY-HINGE SPRT (LIMITED)	A,C,E ,F	RF
-1J	315T3501-5037		DIAPHRAGM ASSY-HINGE SPRT (LIMITED)	A,C,E ,F	RF
-1K	315T3501-5049		DIAPHRAGM ASSY-HINGE SPRT (LIMITED)	A,C,E ,F	RF
-1L	315T3501-5057		DIAPHRAGM ASSY-HINGE SPRT (LIMITED)	A,C,E ,F	RF
-1M	315T3501-5059		DIAPHRAGM ASSY-HINGE SPRT (LIMITED)	A,C,E ,F	RF
-1N	315T3501-5063		DIAPHRAGM ASSY-HINGE SPRT (LIMITED)	A,C,E ,F	RF
-5	315T3501-2		DIAPHRAGM ASSY-HINGE SPRT (LIMITED)	B	RF
-5A	315T3501-12		DIAPHRAGM ASSY-HINGE SPRT (LIMITED)	B	RF
-5B	315T3501-5002		DIAPHRAGM ASSY-HINGE SPRT (LIMITED)	B,D,G ,H	RF
-5C	315T3501-5004		DIAPHRAGM ASSY-HINGE SPRT (LIMITED)	B,D,G ,H	RF
-5D	315T3501-5028		DIAPHRAGM ASSY-HINGE SPRT (LIMITED)	B,D,G ,H	RF
-5E	315T3501-5030		DIAPHRAGM ASSY-HINGE SPRT (LIMITED)	B,D,G ,H	RF
-5F	315T3501-5032		DIAPHRAGM ASSY-HINGE SPRT	K	RF
-5G	315T3501-5034		DIAPHRAGM ASSY-HINGE SPRT (LIMITED)	B,D,G ,H	RF
-5H	315T3501-5036		DIAPHRAGM ASSY-HINGE SPRT (LIMITED)	B,D,G ,H	RF

78-31-22

ILLUSTRATED PARTS LIST
 01.1 Page 1090E
 Nov 01/03

FIG. & ITEM	PART NO.	AIRLINE PART NUMBER	NOMENCLATURE 1234567	EFF CODE	QTY PER ASSY
05- -5J	315T3501-5038		DIAPHRAGM ASSY-HINGE SPRT (LIMITED)	B,D,G ,H	RF
-5K	315T3501-5050		DIAPHRAGM ASSY-HINGE SPRT (LIMITED)	B,D,G ,H	RF
-5L	315T3501-5058		DIAPHRAGM ASSY-HINGE SPRT (LIMITED)	B,D,G ,H	RF
-5M	315T3501-5060		DIAPHRAGM ASSY-HINGE SPRT (LIMITED)	B,D,G ,H	RF
-5N	315T3501-5064		DIAPHRAGM ASSY-HINGE SPRT (LIMITED)	B,D,G ,H	RF
7	BACR15CE5KE		.RIVET- (SIZE DETERMINE ON INST) (USED ON ITEMS 1J, 1L, 1M, 1N, 5J, 5L, 5M, 5N)	A-H	3
7J	NAS1399D5-3		.RIVET- (USED ON ITEMS 1J, 1L, 1M, 1N, 5J, 5L, 5M, 5N)	A-H	4
7P	BACB30NN3K16		.BOLT- (USED ON ITEMS 1J, 1L, 1M, 1N, 5J, 5L, 5M, 5N)	A-H	9
8	AN960-10L		.WASHER- (USED ON ITEMS 1J, 1L, 1M, 1N, 5J, 5L, 5M, 5N)	A-H	9
8J	BRH10C3M		.NUT- (V52828) (SPEC BACN10JC3CM) (OPT T6C1032JM (V11815)) (OPT 97E02 (V80539)) (OPT 109LH9075-3W (V72962)) (OPT VN303D02 (V92215)) (OPT NS202101SE02 (V80539)) (OPT H01-3BAC (V15653)) (USED ON ITEMS 1J, 1L, 1M, 1N, 5J, 5L, 5M, 5N)	A-H	9
8P	BACS40R09C09F		.SHIM- (USED ON ITEMS 1J, 1L, 1M, 1N, 5J, 5L, 5M, 5N)	A-H	AR

78-31-22

 ILLUSTRATED PARTS LIST
 01.1 Page 1090F
 Nov 01/03

315T3500
 315T3001
 315T4026 DASH NUMBERS
 LIMITED

 **BOEING**
 COMPONENT
 MAINTENANCE MANUAL

FIG. & ITEM	PART NO.	AIRLINE PART NUMBER	NOMENCLATURE 1234567	EFF CODE	QTY PER ASSY
05-9	315T4534-3		.FAIRING- (USED ON ITEMS 1J, 1L, 1M, 1N)	A,C,E ,F	1
-9J	315T4534-4		.FAIRING- (USED ON ITEMS 5J, 5L, 5M, 5N)	B,D,G ,H	1
10	315T3550-3		.FAIRING ASSY- (USED ON ITEMS 1, 1A, 1B, 1C, 1D, 1E, 1G, 1H, 1K)	A,C,E ,F,J	1
-15	315T3550-4		.FAIRING ASSY- (USED ON ITEMS 5, 5A, 5B, 5C, 5D, 5E, 5G, 5H, 5K)	B,D,G ,H,K	1
20	BACR15CE5KE		ATTACHING PARTS .RIVET- (SIZE DETERMINE ON INST) (USED ON ITEMS 1, 1A, 1B, 1C, 1D, 1E, 1F, 1G, 1H, 1K, 5, 5A, 5B, 5C, 5D, 5E, 5F, 5G, 5H, 5K)	A-K	3
21 21A	CR2164-5-2 CR2164-5-3		DELETED .RIVET- (V11815) (USED ON ITEMS 1, 1A, 1B, 1C, 1D, 1E, 1F, 1G, 1H, 1K, 5, 5A, 5B, 5C, 5D, 5E, 5F, 5G, 5H, 5K)	A-K	4
23	BACB30NN3K16		.BOLT- (USED ON ITEMS 1, 1A, 1B, 1C, 1D, 1E, 1F, 1G, 1H, 1K, 5, 5A, 5B, 5C, 5D, 5E, 5F, 5G, 5H, 5K)	A-K	9

78-31-22

ILLUSTRATED PARTS LIST
 01.1 Page 1090G
 Nov 01/03

FIG. & ITEM	PART NO.	AIRLINE PART NUMBER	NOMENCLATURE	EFF CODE	QTY PER ASSY
05-2530	BACB30NN3K17 AN960-10L		DELETED .WASHER- (USED ON ITEMS 1, 1A, 1B, 1C, 1D, 1E, 1F, 1G, 1H, 1K, 5, 5A, 5B, 5C, 5D, 5E, 5F, 5G, 5H, 5K)	A-K	9
35	BRH10C3M		.NUT- (V52828) (SPEC BACN10JC3CM) (OPT T6C1032JM (V11815)) (OPT 97E02 (V80539)) (OPT 109LH9075-3W (V72962)) (OPT VN303D02 (V92215)) (OPT NS202101SE02 (V80539)) (OPT H01-3BAC (V15653)) (USED ON ITEMS 1, 1A, 1B, 1C, 1D, 1E, 1F, 1G, 1H, 1K, 5, 5A, 5B, 5C, 5D, 5E, 5F, 5G, 5H, 5K)	A-K	9
40	BACS40R09C09F		.SHIM- (USED ON ITEMS 1, 1A, 1B, 1C, 1D, 1E, 1F, 1G, 1H, 1K, 5, 5A, 5B, 5C, 5D, 5E, 5F, 5G, 5H, 5K) -----*	A-K	1

78-31-22

315T3500
 315T3001
 315T4026 DASH NUMBERS
 LIMITED

 **BOEING**
 COMPONENT
 MAINTENANCE MANUAL

FIG. & ITEM	PART NO.	AIRLINE PART NUMBER	NOMENCLATURE 1234567	EFF CODE	QTY PER ASSY
05-45	315T3550-11		..DOUBLER	A,C,E ,F,J	1
-50	315T3550-12		..DOUBLER	B,D,G ,H,K	1
55	315T3550-7		..FAIRING	A,C,E ,F,J	1
-60	315T3550-8		..FAIRING	B,D,G ,H,K	1
65	315T3526-11		.FAIRING- (USED ON ITEMS 1, 1A, 1B, 1C)	A,C,E ,F	1
-65A	315T3526-63		.FAIRING- (USED ON ITEMS 1D, 1E, 1G)	A,C,E ,F,J	1
-65B	315T3526-79		.FAIRING- (USED ON ITEMS 1H, 1J, 1K, 1L, 1M, 1N)	A,C,E ,F	1
-70	315T3526-12		.FAIRING- (USED ON ITEMS 5, 5A, 5B, 5C)	B,D,G ,H	1
-70A	315T3526-64		.FAIRING- (USED ON ITEMS 5D, 5E, 5G)	B,D,G ,H,K	1
-70B	315T3526-80		.FAIRING- (USED ON ITEMS 5H, 5J, 5K, 5L, 5M, 5N)	B,D,G ,H	1
75 75A	BACR15CE5KE NAS1399D5-3		ATTACHING PARTS DELETED .RIVET- (USED ON ITEMS 1A, 1B, 1C, 1D, 1E, 1G, 1H, 1J, 1K, 1L, 1M, 1N, 5A, 5B, 5C, 5D, 5E, 5G, 5H, 5J, 5K, 5L, 5M, 5N)	A-K	6
-75B	NAS1399D5-2		.RIVET- (USED ON ITEMS 1, 5) -----*	A,B	6

78-31-22

ILLUSTRATED PARTS LIST
 01.1 Page 1090I
 Nov 01/03

FIG. & ITEM	PART NO.	AIRLINE PART NUMBER	NOMENCLATURE 1234567	EFF CODE	QTY PER ASSY
05-80	315T3526-7		.FAIRING- (USED ON ITEMS 1, 1A, 1B, 1C, 5, 5A, 5B, 5C)	A-H	1
-80A	315T3526-59		.FAIRING- (USED ON ITEMS 1D, 1E, 1G, 5D, 5E, 5G)	A-K	1
-80B	315T3526-75		.FAIRING- (USED ON ITEMS 1H, 1J, 1K, 1L, 1M, 1N, 5H, 5J, 5K, 5L, 5M, 5N)	A-H	1
85 85A	BACR15CE5KE NAS1399D5-3		ATTACHING PARTS DELETED .RIVET- (USED ON ITEMS 1A, 1B, 1C, 1D, 1E, 1G, 1H, 1J, 1K, 1L, 1M, 1N, 5A, 5B, 5C, 5D, 5E, 5G, 5H, 5J, 5K, 5L, 5M, 5N)	A-K	13
-85B	NAS1399D5-2		.RIVET- (USED ON ITEMS 1, 5)	A,B	13
90	HL11VAZ5-4		.BOLT- (V60516) (SPEC BACB30NW5K4) (OPT B30NW5K4 (V97928)) (OPT HL11VAZ5-4 (V73197)) (OPT HL11VAZ5-4 (V92215)) (OPT HL11VAZ5-4 (V97928)) (OPT L803-5K4 (V06725)) (OPT HL11VAZ5-4 (VOPTK6)) (OPT HL11VAZ5-4 (V56878)) (ITEM 97 OPT ITEMS 90, 95)	A-K	4

78-31-22

 ILLUSTRATED PARTS LIST
 01.1 Page 1090J
 Nov 01/03

315T3500
 315T3001
 315T4026 DASH NUMBERS
 LIMITED

 **BOEING**
 COMPONENT
 MAINTENANCE MANUAL

FIG. & ITEM	PART NO.	AIRLINE PART NUMBER	NOMENCLATURE 1234567	EFF CODE	QTY PER ASSY
05-95	HL79-5		.COLLAR- (V5M902) (SPEC BACC30M5) (OPT HL70-5 (V73197)) (OPT HL70-5 (V92215)) (OPT 66014-5 (V56878)) (OPT HL70-5 (V56878)) (ITEM 97 OPT ITEMS 90, 95)	A-K	4
97	NAS1399D5-4		.RIVET- (ITEM 97 OPT ITEMS 90, 95) -----*	A-K	4
100	315T3526-13		.FAIRING- (USED ON ITEMS 1, 1A, 1B, 1C, 5, 5A, 5B, 5C)	A-H	5
-100A	315T3526-65		.FAIRING- (USED ON ITEMS 1D, 1E, 1G, 1H, 1J, 1L, 1M, 1N, 5D, 5E, 5G, 5H, 5J, 5L, 5M, 5N) ATTACHING PARTS DELETED	A-K	5
105 105A	BACR15CE5KE NAS1399D5-2		.RIVET -----*	A-K	85
110	315T3526-14		.FAIRING- (USED ON ITEMS 1, 1A, 1B, 1C, 5, 5A, 5B, 5C)	A-H	4

78-31-22

ILLUSTRATED PARTS LIST
 01.1 Page 1090K
 Nov 01/03

FIG. & ITEM	PART NO.	AIRLINE PART NUMBER	NOMENCLATURE 1234567	EFF CODE	QTY PER ASSY
05- -110A	315T3526-66		.FAIRING- (USED ON ITEMS 1D, 1E, 1G, 1H, 1J, 1L, 1M, 1N, 5D, 5E, 5G, 5H, 5J, 5L, 5M, 5N)	A-K	4
115 120	NAS1399D5-2 HL11VAZ5-4		ATTACHING PARTS .RIVET .BOLT- (V60516) (SPEC BACB30NW5K4) (OPT B30NW5K4 (V97928)) (OPT HL11VAZ5-4 (V73197)) (OPT HL11VAZ5-4 (V92215)) (OPT HL11VAZ5-4 (V97928)) (OPT L803-5K4 (V06725)) (OPT HL11VAZ5-4 (V0PTK6)) (OPT HL11VAZ5-4 (V56878)) (ITEM 127 OPT ITEMS 120, 125)	A-K A-K	64 16
125	HL79-5		.COLLAR- (V5M902) (SPEC BACC30M5) (OPT HL70-5 (V73197)) (OPT HL70-5 (V92215)) (OPT 66014-5 (V56878)) (OPT HL70-5 (V56878)) (ITEM 127 OPT ITEMS 120, 125)	A-K	16

78-31-22

ILLUSTRATED PARTS LIST
01.1 Page 1090L
Nov 01/03

FIG. & ITEM	PART NO.	AIRLINE PART NUMBER	NOMENCLATURE 1234567	EFF CODE	QTY PER ASSY
05-127	NAS1399D5-4		.RIVET- (ITEM 127 OPT ITEMS 120, 125) -----*	A-K	16
130	315T3526-8		.FAIRING- (USED ON ITEMS 1, 1A, 1B, 1C, 5, 5A, 5B, 5C)	A-H	1
-130A	315T3526-60		.FAIRING- (USED ON ITEMS 1D, 1E, 1G, 1J, 1K, 5D, 5E, 5G, 5J, 5K)	A-K	1
-130B	315T3526-76		.FAIRING- (USED ON ITEMS 1H, 1L, 1M, 1N, 5H, 5L, 5M, 5N) ATTACHING PARTS	A-K	1
135 135A	BACR15CE5KE NAS1399D5-3		DELETED .RIVET- (USED ON ITEMS 1A, 1B, 1C, 1D, 1E, 1G, 1H, 1J, 1K, 1L, 1M, 1N, 5A, 5B, 5C, 5D, 5E, 5G, 5H, 5J, 5K, 5L, 5M, 5N)	A-K	12
-135B	NAS1399D5-2		.RIVET- (USED ON ITEMS 1, 5)	A,B	12
140	HL11VAZ5-4		.BOLT- (V60516) (SPEC BACB30NW5K4) (OPT B30NW5K4 (V97928)) (OPT HL11VAZ5-4 (V73197)) (OPT HL11VAZ5-4 (V92215)) (OPT HL11VAZ5-4 (V97928)) (OPT L803-5K4 (V06725)) (OPT HL11VAZ5-4 (V0PTK6)) (OPT HL11VAZ5-4 (V56878)) (ITEM 147 OPT ITEMS 140, 145)	A-K	4

78-31-22

FIG. & ITEM	PART NO.	AIRLINE PART NUMBER	NOMENCLATURE 1234567	EFF CODE	QTY PER ASSY
05-145	HL79-5		.COLLAR- (V5M902) (SPEC BACC30M5) (OPT HL70-5 (V73197)) (OPT HL70-5 (V92215)) (OPT 66014-5 (V56878)) (OPT HL70-5 (V56878)) (ITEM 147 OPT ITEMS 140, 145)	A-K	4
147	NAS1399D5-4		.RIVET- (ITEM 147 OPT ITEMS 140, 145) *-----	A-K	4
150	315T3526-9		.FAIRING- (USED ON ITEMS 1, 1A, 1B, 1C)	A,C,E ,F	1
-150A	315T3526-61		.FAIRING- (USED ON ITEMS 1D, 1E, 1G)	A,C,E ,F,J	1
-150B	315T3526-77		.FAIRING- (USED ON ITEMS 1H, 1J, 1K, 1L, 1M, 1N)	A,C,E ,F	1
-155	315T3526-10		.FAIRING- (USED ON ITEMS 5, 5A, 5B, 5C)	B,D,G ,H	1
-155A	315T3526-62		.FAIRING- (USED ON ITEMS 5D, 5E, 5G)	B,D,G ,H,K	1
-155B	315T3526-78		.FAIRING- (USED ON ITEMS 5H, 5J, 5K, 5L, 5M, 5N) ATTACHING PARTS	B,D,G ,H	1

78-31-22

 ILLUSTRATED PARTS LIST
 01.1 Page 1090N
 Nov 01/03

315T3500
 315T3001
 315T4026 DASH NUMBERS
 LIMITED

 **BOEING**
 COMPONENT
 MAINTENANCE MANUAL

FIG. & ITEM	PART NO.	AIRLINE PART NUMBER	NOMENCLATURE 1234567	EFF CODE	QTY PER ASSY
05- 160 160A	BACR15CE5KE NAS1399D5-3		DELETED .RIVET- (USED ON ITEMS 1A, 1B, 1C, 1D, 1E, 1G, 1H, 1J, 1K, 1L, 1M, 1N, 5A, 5B, 5C, 5D, 5E, 5G, 5H, 5J, 5K, 5L, 5M, 5N)	A-K	7
-160B	NAS1399D5-2		.RIVET- (USED ON ITEMS 1, 5) -----*-----	A,B	7
165	315T3550-2		.FAIRING- (USED ON ITEMS 1, 1A, 1B, 1C, 1D, 1E, 1G, 1H, 1K, 5, 5A, 5B, 5C, 5D, 5E, 5G, 5H, 5K)	A-K	5
-165A	315T4534-2		.FAIRING- (USED ON ITEMS 1J, 1L, 1M, 1N, 5J, 5L, 5M, 5N)	A-D,G ,H	5
167	NAS1399D5-3		.RIVET- (USED ON ITEMS 1J, 1L, 1M, 1N, 5J, 5L, 5M, 5N)	A-D,G ,H	16
169	BACB30NN3K16		.BOLT- (USED ON ITEMS 1J, 1L, 1M, 1N, 5J, 5L, 5M, 5N) ATTACHING PARTS	A-D,G ,H	32
170 171	BACB30MS3K19 AN960-10L		DELETED .WASHER- (USED ON ITEMS 1J, 1L, 1M, 1N, 5J, 5L, 5M, 5N)	A-D,G ,H	32
172	BACN10JC3M		.NUT- (USED ON ITEMS 1J, 1L, 1M, 5J, 5L, 5M)	A-D,G ,H	32

78-31-22

ILLUSTRATED PARTS LIST
 01.1 Page 10900
 Nov 01/03

FIG. & ITEM	PART NO.	AIRLINE PART NUMBER	NOMENCLATURE 1234567	EFF CODE	QTY PER ASSY
05-173	315T4534-1		.FAIRING- (USED ON ITEMS 1J, 1L, 1M, 5J, 5L, 5M)	A-D,G,H	4
175	315T3550-1		.FAIRING ASSY- (USED ON ITEMS 1, 1A, 1B, 1C, 1D, 1E, 1G, 1H, 1K, 5, 5A, 5B, 5C, 5D, 5E, 5G, 5H, 5K)	A-K	4
180 180A	CR2164-5-2 CR2164-5-3		DELETED .RIVET- (V11815) (USED ON ITEMS 1, 1A, 1B, 1C, 1D, 1E, 1F, 1G, 1H, 1K, 5, 5A, 5B, 5C, 5D, 5E, 5F, 5G, 5H, 5K)	A-K	16
185	BACB30NN3K16		.BOLT- (USED ON ITEMS 1, 1A, 1B, 1C, 1D, 1E, 1F, 1G, 1H, 1K, 5, 5A, 5B, 5C, 5D, 5E, 5F, 5G, 5H, 5K)	A-K	32
190 195	BACB30NN3K17 AN960-10L		DELETED .WASHER- (USED ON ITEMS 1, 1A, 1B, 1C, 1D, 1E, 1F, 1G, 1H, 1K, 5, 5A, 5B, 5C, 5D, 5E, 5F, 5G, 15H, 5K)	A-K	32

78-31-22

315T3500
 315T3001
 315T4026 DASH NUMBERS
 LIMITED

 **BOEING**
 COMPONENT
 MAINTENANCE MANUAL

FIG. & ITEM	PART NO.	AIRLINE PART NUMBER	NOMENCLATURE 1234567	EFF CODE	QTY PER ASSY
05-200	BRH10C3M		.NUT- (V52828) (SPEC BACN10JC3CM) (OPT T6C1032JM (V11815)) (OPT 97E02 (V80539)) (OPT 109LH9075-3W (V72962)) (OPT VN303D02 (V92215)) (OPT NS202101SE02 (V80539)) (OPT H01-3BAC (V15653)) (USED ON ITEMS 1, 1A, 1B, 1C, 1D, 1E, 1F, 1G, 1H, 1K, 5, 5A, 5B, 5C, 5D, 5E, 5F, 5G, 5H, 5K) -----*-----	A-K	32
205	315T3550-14		..DOUBLER	A-K	1
210	315T3550-15		..FAIRING	A-K	1
212	NAS1399D5-3		.RIVET- (USED ON ITEMS 1J, 1L, 1M, 1N, 5J, 5L, 5M, 5N)	A-H	5
212J	NAS1399D5-2		.RIVET- (USED ON ITEMS 1J, 1L, 1M, 1N, 5J, 5L, 5M, 5N)	A-H	1
212N	BACB30NN3K16		.BOLT- (USED ON ITEMS 1J, 1L, 1M, 1N, 5J, 5L, 5M, 5N)	A-H	10

78-31-22

ILLUSTRATED PARTS LIST
 01.1 Page 1090Q
 Nov 01/03

FIG. & ITEM	PART NO.	AIRLINE PART NUMBER	NOMENCLATURE 1234567	EFF CODE	QTY PER ASSY
05-213	AN960-10L		.WASHER- (USED ON ITEMS 1J, 1L, 1M, 1N, 5J, 5L, 5M, 5N)	A-H	10
213N	BRH10C3M		.NUT- (V52828) (SPEC BACN10JC3CM) (OPT T6C1032JM (V11815)) (OPT 97E02 (V80539)) (OPT 109LH9075-3W (V72962)) (OPT VN303D02 (V92215)) (OPT NS202101SE02 (V80539)) (OPT H01-3BAC (V15653)) (USED ON ITEMS 1J, 1L, 1M, 1N, 5J, 5L, 5M, 5N)	A-H	10
214	315T4534-5		.FAIRING- (USED ON ITEMS 1J, 1L, 1M, 1N)	A,C,E ,F	1
-214J	315T4534-6		.FAIRING- (USED ON ITEMS 5J, 5L, 5M, 5N)	B,D,G ,H	1
215	315T3550-5		.FAIRING ASSY- (USED ON ITEMS 1, 1A, 1B, 1C, 1D, 1E, 1G, 1H, 1K)	A,C,E ,F,J	1
-220	315T3550-6		.FAIRING ASSY- (USED ON ITEMS 5, 5A, 5B, 5C, 5D, 5E, 5G, 5H, 5K)	B,D,G ,H,K	1

78-31-22

 ILLUSTRATED PARTS LIST
 01.1 Page 1090R
 Nov 01/03

FIG. & ITEM	PART NO.	AIRLINE PART NUMBER	NOMENCLATURE 1234567	EFF CODE	QTY PER ASSY
05-					
225	BACR15CE5KE		ATTACHING PARTS .RIVET- (SIZE DETERMINE ON INST) (USED ON ITEMS 1, 1A, 5, 5A)	A,B	2
226	NAS1399D5-3		.RIVET- (USED ON ITEMS 1B, 1C, 1D, 1E, 1G, 5B, 5C, 5D, 5E, 5G)	A-K	1
227	CR2164-5-2		DELETED		
227A	CR2164-5-3		.RIVET- (V11815) (USED ON ITEMS 1, 1A, 1B, 1C, 1D, 1E, 1F, 1G, 1H, 1K, 5, 5A, 5B, 5C, 5D, 5E, 5F, 5G, 5H, 5K)	A-K	4
228	CR2164-5-2		.RIVET- (V11815) (USED ON ITEMS 1B, 1C, 1D, 1E, 1G, 5B, 5C, 5D, 5E, 5G)	A-K	1
230	BACB30NN3K17		DELETED		
235	BACB30NN3K19		DELETED		
235A	BACB30NN3K16		.BOLT- (USED ON ITEMS 1, 1A, 1B, 1C, 1D, 1E, 1F, 1G, 1H, 1K, 5, 5A, 5B, 5C, 5D, 5E, 5F, 5G, 5H, 5K)	A-K	10
240	AN960-10L		.WASHER- (USED ON ITEMS 1, 1A, 1B, 1C, 1D, 1E, 1F, 1G, 1H, 1K, 5, 5A, 5B, 5C, 5D, 5E, 5F, 5G, 5H, 5K)	A-K	10

78-31-22

FIG. & ITEM	PART NO.	AIRLINE PART NUMBER	NOMENCLATURE 1234567	EFF CODE	QTY PER ASSY
05-245	BRH10C3M		.NUT- (V52828) (SPEC BACN10JC3CM) (OPT T6C1032JM (V11815)) (OPT 97E02 (V80539)) (OPT 109LH9075-3W (V72962)) (OPT VN303D02 (V92215)) (OPT NS202101SE02 (V80539)) (OPT H01-3BAC (V15653)) (USED ON ITEMS 1, 1A 1B, 1C, 1D, 1E, 1F, 1G, 1H, 1K, 5, 5A, 5B, 5C, 5D, 5E, 5F, 5G, 5H, 5K) -----*-----	A-K	10
250	315T3550-13		..DOUBLER	A-K	1
255	315T3550-9		..FAIRING	A,C,E ,F,J	1
-260	315T3550-10		..FAIRING	B,D,G ,H,K	1
265	315T3526-26		.CLIP- (USED ON ITEMS 1, 1A, 1B, 1C, 1D, 1E, 5, 5A, 5B, 5C, 5D, 5E)	A-K	1
-265A	315T3526-73		.CLIP- (USED ON ITEMS 1G, 1H, 1J, 1K, 1M, 5G, 5H, 5J, 5K, 5M)	A-H	1
-265B	315T3526-87		.CLIP- (USED ON ITEMS 1L, 1N)	A,C,E ,F	1
-267	315T3526-88		.CLIP- (USED ON ITEMS 5L, 5N)	B,D,G ,H	1
270	BACB30NM3K3		ATTACHING PARTS .BOLT- (USED ON ITEMS 1, 1A, 5, 5A)	A,B	2

78-31-22

 ILLUSTRATED PARTS LIST
 01.1 Page 1090T
 Nov 01/03

FIG. & ITEM	PART NO.	AIRLINE PART NUMBER	NOMENCLATURE 1234567	EFF CODE	QTY PER ASSY
05- -270A	HL10VAZ5-3		.BOLT- (V60516) (SPEC BACB30MY5K3) (OPT B30MY5K3 (V97928)) (USED ON ITEMS 1B, 1C, 1D, 1E, 1G, 1H, 1J, 1K, 1L, 1M, 1N, 5B, 5C, 5D, 5E, 5G, 5H, 5J, 5K, 5L, 5M, 5N)	A-K	2
275	AN960-10L		.WASHER- (USED ON ITEMS 1, 1A, 5, 5A)	A,B	2
280	BRH10C3M		.NUT- (V52828) (SPEC BACN10JC3CM) (OPT T6C1032JM (V11815)) (OPT 97E02 (V80539)) (OPT 109LH9075-3W (V72962)) (OPT VN303D02 (V92215)) (OPT NS202101SE02 (V80539)) (OPT H01-3BAC (V15653)) (USED ON ITEMS 1, 1A, 5, 5A)	A,B	2

78-31-22

ILLUSTRATED PARTS LIST
 01.1 Page 1090U
 Nov 01/03

FIG. & ITEM	PART NO.	AIRLINE PART NUMBER	NOMENCLATURE 1234567	EFF CODE	QTY PER ASSY
05-280A	HL79-5		.COLLAR- (V5M902) (SPEC BACC30M5) (OPT HL70-5 (V73197)) (OPT HL70-5 (V92215)) (OPT 66014-5 (V56878)) (OPT HL70-5 (V56878)) (USED ON ITEMS 1B, 1C, 1D, 1E, 1G, 1H, 1J, 1K, 1L, 1M, 1N, 5B, 5C, 5D, 5E, 5G, 5H, 5J, 5K, 5L, 5M, 5N) -----*-----	A-K	2
283	315T3526-31		.CLIP	A,C,E F,J	1
-284	315T3526-32		.CLIP	B,D,G H,K	1
285	315T3526-17		.CLIP ATTACHING PARTS	A-K	1
286	BACR15FT5KE		.RIVET- (SIZE DETERMINE ON INST)	A-K	2
287	HL10VAZ5-4		.BOLT- (V60516) (SPEC BACB30MY5K4) (OPT B30MY5K4 (V97928))	A-K	2

78-31-22

FIG. & ITEM	PART NO.	AIRLINE PART NUMBER	NOMENCLATURE 1234567	EFF CODE	QTY PER ASSY
05-289	HL79-5		.COLLAR- (V5M902) (SPEC BACC30M5) (OPT HL70-5 (V73197)) (OPT HL70-5 (V92215)) (OPT 66014-5 (V56878)) (OPT HL70-5 (V56878)) -----*	A-K	2
291	315T3526-29		.CLIP- (USED ON ITEMS 1, 1A, 1B, 1C, 1D, 1E, 1G, 1H, 1K)	A,C,E ,F,J	1
-291A	315T3526-83		.CLIP- (USED ON ITEMS 1J, 1L, 1M)	A,C,E ,F	1
-293	315T3526-30		.CLIP- (USED ON ITEMS 5, 5A, 5B, 5C, 5D, 5E, 5G, 5H, 5K)	B,D,G ,H,K	1
-293A	315T3526-84		.CLIP- (USED ON ITEMS 5J, 5L, 5M)	B,D,G ,H	1
295	BACR15FT5KE		ATTACHING PARTS DELETED		
295A	BACR15CE5KE		.RIVET- (SIZE DETERMINE ON INST) -----*	A-K	2
300	315T3526-18		.CLIP- (USED ON ITEMS 1, 1A, 1B, 1C, 1D, 1E, 1G, 1H, 1K, 5, 5A, 5B, 5C, 5D, 5E, 5G, 5H, 5K)	A-K	12
-300A	315T3526-81		.CLIP- (USED ON ITEMS 1J, 1L, 1M, 1N, 5J, 5L, 5M, 5N) ATTACHING PARTS	A-H	12
305	BACB30NM3K4		.BOLT	A-K	12
310	AN960-10L		.WASHER	A-K	12

78-31-22

FIG. & ITEM	PART NO.	AIRLINE PART NUMBER	NOMENCLATURE 1234567	EFF CODE	QTY PER ASSY
05-315	BRH10C3M		.NUT- (V52828) (SPEC BACN10JC3CM) (OPT T6C1032JM (V11815)) (OPT 97E02 (V80539)) (OPT 109LH9075-3W (V72962)) (OPT VN303D02 (V92215)) (OPT NS202101SE02 (V80539)) (OPT H01-3BAC (V15653)) -----*	A-K	12
320	315T3526-23		.CLIP	A-K	6
325	315T3526-24		.CLIP	A-K	6
330	HL10VAZ5-3		ATTACHING PARTS .BOLT- (V60516) (SPEC BACB30MY5K3) (OPT B30MY5K3 (V97928))	A-K	24
335	HL79-5		.COLLAR- (V5M902) (SPEC BACC30M5) (OPT HL70-5 (V73197)) (OPT HL70-5 (V92215)) (OPT 66014-5 (V56878)) (OPT HL70-5 (V56878)) -----*	A-K	24
340	315T3526-21		.STIFFENER	A-K	1
345	315T3526-22		.STIFFENER	A-K	1
350	315T3526-15		.STIFFENER	A-K	5
355	315T3526-16		.STIFFENER	A-K	5
360	BACR15FT5KE		ATTACHING PARTS .RIVET- (SIZE DETERMINE ON INST)	A-K	24

78-31-22

 ILLUSTRATED PARTS LIST
 01.1 Page 1090X
 Nov 01/03

FIG. & ITEM	PART NO.	AIRLINE PART NUMBER	NOMENCLATURE 1234567	EFF CODE	QTY PER ASSY
05-365	HL11VAZ6-5		.BOLT- (V60516) (SPEC BACB30NW6K5) (OPT HL11V6-5 (V92215)) (OPT HL11V6-5 (V97928)) (OPT L803-6-5 (V06725)) (OPT B30NW6K5 (V97928)) (OPT HL11VAZ6-5 (V73197)) (OPT HL11VAZ6-5 (V92215)) (OPT HL11VAZ6-5 (V56878))	A-K	12
370	HL10VAZ6-5		.BOLT- (V60516) (SPEC BACB30MY6K5) (OPT B30MY6K5 (V97928))	A-K	12
375	HL10VAZ6-3		.BOLT- (V60516) (SPEC BACB30MY6K3) (OPT B30MY6K3 (V97928))	A-K	27
380	HL10VAZ6-4		.BOLT- (V60516) (SPEC BACB30MY6K4) (OPT B30MY6K4 (V97928))	A-K	9
385	HL79-6		.COLLAR- (V5M902) (SPEC BACC30M6) (OPT HL79-6 (V73197)) (OPT HL79-6 (V92215)) (OPT 66014-6 (V56878)) (OPT HL79-6 (V56878)) -----*	A-K	60
390	315T3526-25		.DOUBLER	A-K	3

78-31-22

FIG. & ITEM	PART NO.	AIRLINE PART NUMBER	NOMENCLATURE 1234567	EFF CODE	QTY PER ASSY
05- 393	HL10VAZ6-2		ATTACHING PARTS .BOLT- (V60516) (SPEC BACB30MY6K2) (OPT B30MY6K2 (V97928)) (USED ON ITEMS 1B, 1C, 1D, 1E, 1G, 1H, 1J, 1K, 1L, 1M, 1N, 5B, 5C, 5D, 5E, 5G, 5H, 5J, 5K, 5L, 5M, 5N)	A-K	6
394	HL10VAZ6-3		.BOLT- (V60516) (SPEC BACB30MY6K3) (OPT B30MY6K3 (V97928)) (USED ON ITEMS 1B, 1C, 1D, 1E, 1G, 1H, 1J, 1K, 1L, 1M, 1N, 5B, 5C, 5D, 5E, 5G, 5H, 5J, 5K, 5L, 5M, 5N)	A-K	6
395	HL10VAZ6-2		.BOLT- (V60516) (SPEC BACB30MY6K2) (OPT B30MY6K2 (V97928)) (USED ON ITEMS 1, 1A, 5, 5A)	A,B	12
396	HL79-6		.COLLAR- (V5M902) (SPEC BACC30M6) (OPT HL79-6 (V73197)) (OPT HL79-6 (V92215)) (OPT 66014-6 (V56878)) (OPT HL79-6 (V56878)) -----*	A-K	12
397	315T3158-4		.PRELOAD ASSY-BLOCKER DOOR (USED ON ITEMS 1E, 1G, 1H, 1J, 1K, 1L, 1M, 1N)	A,C,E ,F,J	2

78-31-22

 ILLUSTRATED PARTS LIST
 01.1 Page 1090Z
 Nov 01/03

FIG. & ITEM	PART NO.	AIRLINE PART NUMBER	NOMENCLATURE 1234567	EFF CODE	QTY PER ASSY
05-397C	315T3158-3		.PRELOAD ASSY-BLOCKER DOOR (USED ON ITEMS 5E, 5G, 5H, 5J, 5K, 5L, 5M, 5N)	B,D,G ,H,K	2
397D	315T3158-1		.PRELOAD ASSY-BLOCKER DOOR (USED ON ITEMS 1E, 1G, 1H, 1J, 1K, 1L, 1M, 1N)	A,C,E ,F,J	5
397F	315T3158-2		.PRELOAD ASSY-BLOCKER DOOR (USED ON ITEMS 5E, 5G, 5H, 5J, 5K, 5L, 5M, 5N)	B,D,G ,H,K	5
398	315T3158-2		.PRELOAD ASSY-BLOCKER DOOR (USED ON ITEMS 1E, 1G, 1H, 1J, 1K, 1L, 1M, 1N)	A,C,E ,F,J	4
398B	315T3158-1		.PRELOAD ASSY-BLOCKER DOOR (USED ON ITEMS 5E, 5G, 5H, 5J, 5K, 5L, 5M, 5N)	B,D,G ,H,K	4
398D	315T3158-3		.PRELOAD ASSY-BLOCKER DOOR (USED ON ITEMS 1E, 1G, 1H, 1J, 1K, 1L, 1M, 1N)	A,C,E ,F,J	1
398F	315T3158-4		.PRELOAD ASSY-BLOCKER DOOR (USED ON ITEMS 5E, 5G, 5H, 5J, 5K, 5L, 5M, 5N)	B,D,G ,H,K	1
399	HL10VAZ6-2		ATTACHING PARTS .BOLT- (V60516) (SPEC BACB30MY6K2) (OPT B30MY6K2 (V97928))	A-K	18
400	HL79-6		.COLLAR- (V5M902) (SPEC BACC30M6) (OPT HL79-6 (V73197)) (OPT HL79-6 (V92215)) (OPT 66014-6 (V56878)) (OPT HL79-6 (V56878)) -----*	A-K	18
402	315T3158-9		..PAD	A-K	1
403	315T3158-8		..BRACKET- (USED ON ITEM 397)	A,C,E ,F,J	1
403C	315T3158-7		..BRACKET- (USED ON ITEM 397C)	B,D,G ,H,K	1

78-31-22

FIG. & ITEM	PART NO.	AIRLINE PART NUMBER	NOMENCLATURE 1234567	EFF CODE	QTY PER ASSY
05-403D	315T3158-5		..BRACKET- (USED ON ITEM 397D)	A,C,E ,F,J	1
403G	315T3158-6		..BRACKET- (USED ON ITEM 397F)	B,D,G ,H,K	1
404	315T3158-6		..BRACKET- (USED ON ITEM 398)	A,C,E ,F,J	1
404B	315T3158-5		..BRACKET- (USED ON ITEM 398B)	B,D,G ,H,K	1
404D	315T3158-7		..BRACKET- (USED ON ITEM 398D)	A,C,E ,F,J	1
404G	315T3158-8		..BRACKET- (USED ON ITEM 398F)	B,D,G ,H,K	1
405	315T3526-2		.INTERCOSTAL- (USED ON ITEMS 1, 1A, 1B, 1C, 1D, 1E, 1F, 1G, 1H, 1J, 1K, 1M, 5, 5A, 5B, 5C, 5D, 5E, 5F, 5G, 5H, 5J, 5K, 5M)	A-K	6
-405A	315T3526-85		.INTERCOSTAL- (USED ON ITEMS 1L, 1N, 5L, 5N)	A-H	6
410	315T3526-1		.INTERCOSTAL- (USED ON ITEMS 1, 1A 1B, 1C, 1D, 1E, 1F, 1G, 1H, 1J, 1K, 1M, 5, 5A, 5B, 5C, 5D, 5E, 5F, 5G, 5H, 5J, 5K, 5M)	A-K	6
-410A	315T3526-86		.INTERCOSTAL- (USED ON ITEMS 1L, 1N, 5L, 5N) ATTACHING PARTS	A-H	6

78-31-22

 ILLUSTRATED PARTS LIST
 01.1 Page 1092
 Nov 01/03

315T3500
 315T3001
 315T4026 DASH NUMBERS
 LIMITED

 **BOEING**
 COMPONENT
 MAINTENANCE MANUAL

FIG. & ITEM	PART NO.	AIRLINE PART NUMBER	NOMENCLATURE 1234567	EFF CODE	QTY PER ASSY
05- 415 420 425	BACB30NU3K6 AN960-10L BRH10C3M		.BOLT .WASHER .NUT- (V52828) (SPEC BACN10JC3CM) (OPT T6C1032JM (V11815)) (OPT 97E02 (V80539)) (OPT 109LH9075-3W (V72962)) (OPT VN303D02 (V92215)) (OPT NS202101SE02 (V80539)) (OPT H01-3BAC (V15653))	A-K A-K A-K	12 12 12
430	HL10VAZ6-4		.BOLT- (V60516) (SPEC BACB30MY6K4) (OPT B30MY6K4 (V97928))	A-K	36
435	L8006K6		.BOLT- (V06725) (SPEC BACB30MY6K6) (OPT HL10VAZ6-6 (VOPTK6))	A-K	12
440	HL79-6		.COLLAR- (V5M902) (SPEC BACC30M6) (OPT HL79-6 (V73197)) (OPT HL79-6 (V92215)) (OPT 66014-6 (V56878)) (OPT HL79-6 (V56878)) -----*	A-K	48

78-31-22

ILLUSTRATED PARTS LIST
 01.1 Page 1092A
 Nov 01/03

FIG. & ITEM	PART NO.	AIRLINE PART NUMBER	NOMENCLATURE 1234567	EFF CODE	QTY PER ASSY
05-					
445	315T3526-5		.CLIP	A-K	5
450	315T3526-6		.CLIP	A-K	5
			ATTACHING PARTS		
455	BACR15FT5KE		.RIVET-	A-K	30
			(SIZE DETERMINE ON INST)		
			-----*		
460	315T3526-3		.BRACKET-	A,B	5
			(USED ON ITEMS 1, 5)		
465	315T3526-4		.BRACKET-	A,B	5
			(USED ON ITEMS 1, 5)		
			ATTACHING PARTS		
470	BACR15FT5KE		.RIVET-	A,B	20
			(SIZE DETERMINE ON INST)		
475	BACR15FT6KE		.RIVET-	A,B	30
			(SIZE DETERMINE ON INST)		
480	HL10VAZ6-5		.BOLT-	A,B	10
			(V60516)		
			(SPEC BACB30MY6K5)		
			(OPT B30MY6K5		
			(V97928))		
485	HL11VAZ6-5		.BOLT-	A,B	10
			(V60516)		
			(SPEC BACB30NW6K5)		
			(OPT HL11V6-5		
			(V92215))		
			(OPT HL11V6-5		
			(V97928))		
			(OPT L803-6-5		
			(V06725))		
			(OPT B30NW6K5		
			(V97928))		
			(OPT HL11VAZ6-5		
			(V73197))		
			(OPT HL11VAZ6-5		
			(V92215))		
			(OPT HL11VAZ6-5		
			(V56878))		

78-31-22

 ILLUSTRATED PARTS LIST
 01.1 Page 1092B
 Nov 01/03

315T3500
 315T3001
 315T4026 DASH NUMBERS
 LIMITED

 **BOEING**
 COMPONENT
 MAINTENANCE MANUAL

FIG. & ITEM	PART NO.	AIRLINE PART NUMBER	NOMENCLATURE 1234567	EFF CODE	QTY PER ASSY
05-490	HL79-6		.COLLAR- (V5M902) (SPEC BACC30M6) (OPT HL79-6 (V73197)) (OPT HL79-6 (V92215)) (OPT 66014-6 (V56878)) (OPT HL79-6 (V56878)) -----*	A,B	20
495	315T3527-1		.PAN ATTACHING PARTS	A-K	5
500	HL10VAZ6-4		.BOLT- (V60516) (SPEC BACB30MY6K4) (OPT B30MY6K4 (V97928))	A-K	30
505	HL79-6		.COLLAR- (V5M902) (SPEC BACC30M6) (OPT HL79-6 (V73197)) (OPT HL79-6 (V92215)) (OPT 66014-6 (V56878)) (OPT HL79-6 (V56878))	A-K	30

78-31-22

ILLUSTRATED PARTS LIST
 01.1 Page 1092C
 Nov 01/03

FIG. & ITEM	PART NO.	AIRLINE PART NUMBER	NOMENCLATURE 1234567	EFF CODE	QTY PER ASSY
05-					
510	BACB30NU3K5		DELETED		
510A	BACB30NN3K4		.BOLT	A-K	30
515	BACB30NU3K6		DELETED		
515A	BACB30NN3K6		.BOLT	A-K	10
520	AN960-10L		.WASHER	A-K	10
525	BRH10C3M		.NUT- (V52828) (SPEC BACN10JC3CM) (OPT T6C1032JM (V11815)) (OPT 97E02 (V80539)) (OPT 109LH9075-3W (V72962)) (OPT VN303D02 (V92215)) (OPT NS202101SE02 (V80539)) (OPT H01-3BAC (V15653))	A-K	10
530	BACS40R09C90F		.SHIM -----*	A-K	5
535	BRF200C3M		.NUTPLATE- (V52828) (SPEC BACN10JR3CFM) (OPT F5001-3BAC (V15653)) (OPT NS103203SE02 (V80539)) (OPT T8092C1032 (V11815)) (OPT VN152D1-02 (V92215)) (OPT 109F9201-3 (V72962)) (USED ON ITEMS 1, 5)	A,B	45

78-31-22

FIG. & ITEM	PART NO.	AIRLINE PART NUMBER	NOMENCLATURE 1234567	EFF CODE	QTY PER ASSY
05-537	BRF100C3M		.NUTPLATE- (V52828) (SPEC BACN10KB3CFM) (OPT F2001-3 (V15653)) (OPT T8113C1032C (V11815)) (OPT VN151D1-02 (V92215)) (OPT 109F9207-3 (V72962)) (OPT F2001-3 (V15653)) (USED ON ITEMS 1, 5) ATTACHING PARTS	A,B	35
540	BACR15BA3AD		.RIVET- (SIZE DETERMINE ON INST) (USED ON ITEMS 1, 5) -----*-----	A,B	175
545	315T3531-8		.RETAINER- (USED ON ITEMS 1, 5) ATTACHING PARTS	A,B	1
550	HL10VAZ6-5		.BOLT- (V60516) (SPEC BACB30MY6K5) (OPT B30MY6K5 (V97928)) (USED ON ITEMS 1, 5)	A,B	94
555	HL79-6		.COLLAR- (V5M902) (SPEC BACC30M6) (OPT HL79-6 (V73197)) (OPT HL79-6 (V92215)) (OPT 66014-6 (V56878)) (OPT HL79-6 (V56878)) (USED ON ITEMS 1, 5) -----*-----	A,B	94

78-31-22

FIG. & ITEM	PART NO.	AIRLINE PART NUMBER	NOMENCLATURE 1234567	EFF CODE	QTY PER ASSY
05-560	315T3531-1		.RETAINER- (USED ON ITEM 1)	A	1
-565	315T3531-2		.RETAINER- (USED ON ITEM 5)	B	1
570	315T3531-3		.RETAINER- (USED ON ITEM 1)	A	1
-575	315T3531-4		.RETAINER- (USED ON ITEM 5)	B	1
595	315T3523-41		.BOND ASSY	A,C,E F,J	1
-600	315T3523-42		.BOND ASSY	B,D,G H,K	1
605	BACB30NU3K6		ATTACHING PARTS DELETED		
605A	BACB30NN3K4		.BOLT	A-K	6
610	BACB30NU3K4		DELETED		
615	BACB30NU3K5		DELETED		
615A	BACB30NN3K5		.BOLT	A-K	80
620	AN960-10L		.WASHER	A-K	86
625	BRH10C3M		.NUT- (V52828) (SPEC BACN10JC3CM) (OPT T6C1032JM (V11815)) (OPT 97E02 (V80539)) (OPT 109LH9075-3W (V72962)) (OPT VN303D02 (V92215)) (OPT NS202101SE02 (V80539)) (OPT H01-3BAC (V15653))	A-K	86

78-31-22

 ILLUSTRATED PARTS LIST
 01.1 Page 1092F
 Nov 01/03

315T3500
 315T3001
 315T4026 DASH NUMBERS
 LIMITED

 **BOEING**
 COMPONENT
 MAINTENANCE MANUAL

FIG. & ITEM	PART NO.	AIRLINE PART NUMBER	NOMENCLATURE 1234567	EFF CODE	QTY PER ASSY
05-627	HL523AZ6-6		.BOLT- (V56878) (SPEC BACB30NZ6K6) (OPT HL523AZ6-6 (VOPTK6)) (OPT L804-6K6 (V06725)) (OPT HL523AZ6-6 (V92215)) (OPT HL523AZ6-6 (V73197)) (OPT HL523AZ6-6 (V06725)) (OPT HL523AZ6-6 (V97928)) (OPT HL523AZ6-6 (V60516))	A-K	2
628	HL79-6		.COLLAR- (V5M902) (SPEC BACC30M6) (OPT HL79-6 (V73197)) (OPT HL79-6 (V92215)) (OPT 66014-6 (V56878)) (OPT HL79-6 (V56878))	A-K	2
629	BACR15BA4D		.RIVET- (SIZE DETERMINE ON INST) -----*	A-K	2
630	315T3523-45		..DOUBLER	A-K	1
635	315T3523-46		..DOUBLER	A-K	1

78-31-22

ILLUSTRATED PARTS LIST
 01.1 Page 1092G
 Nov 01/03

FIG. & ITEM	PART NO.	AIRLINE PART NUMBER	NOMENCLATURE 1234567	EFF CODE	QTY PER ASSY
05-640	315T3523-47		..DOUBLER ATTACHING PARTS	A-K	1
645	HL19PB5-4		..BOLT- (V60516) (SPEC BACB30FN5-4) (OPT HL19PB5-4 (V73197)) (OPT HL19PB5-4 (V92215)) (OPT HL19PB5-4 (V97928)) (OPT 62547-5-4 (V56878)) (OPT HL19PB5-4 (V80539)) (OPT HL19PB5-4 (V08524)) (OPT HL19-5-4 (V06725)) (OPT L839-5-4 (V06725)) (OPT HL19PB5-4 (V56878))	A-K	16
650	HL79-5		..COLLAR- (V5M902) (SPEC BACC30M5) (OPT HL70-5 (V73197)) (OPT HL70-5 (V92215)) (OPT 66014-5 (V56878)) (OPT HL70-5 (V56878)) -----*	A-K	16
652	BACR15BA3AD		.RIVET- (SIZE DETERMINE ON INST)	J,K	4
653	F177C3D		.NUTPLATE- (V72962) (SPEC BACN10JAC3D) (OPT F2400C3D (V15653)) (OPT BRF110AC3D (V52828))	J,K	2

78-31-22

 ILLUSTRATED PARTS LIST
 01.1 Page 1092H
 Nov 01/03

FIG. & ITEM	PART NO.	AIRLINE PART NUMBER	NOMENCLATURE 1234567	EFF CODE	QTY PER ASSY
05-655	315T3525-5		.FITTING- (REPLD BY ITEM 655A) (USED ON ITEMS 1, 5)	A,B,J ,K	1
-655A	315T3525-1		.FITTING- (REPLS ITEM 655) (USED ON ITEMS 1, 5)	A,B,J ,K	1
-655B	315T3525-1		.FITTING- (USED ON ITEMS 1A, 1B, 1C, 1D, 1E, 1G, 1H, 1J, 1K, 1L, 1M, 1N, 5A, 5B, 5C, 5D, 5E, 5G, 5H, 5J, 5K, 5L, 5M, 5N)	A-H	1
660	315T3525-6		.FITTING- (REPLD BY ITEM 660A) (USED ON ITEMS 1, 5)	A,B,J ,K	1
-660A	315T3525-2		.FITTING- (REPLS ITEM 660) (USED ON ITEMS 1, 5)	A,B,J ,K	1
-660B	315T3525-2		.FITTING- (USED ON ITEMS 1A, 1B, 1C, 1D, 1E, 1G, 1H, 1J, 1K, 1L, 1M, 1N, 5A, 5B, 5C, 5D, 5E, 5G, 5H, 5J, 5K, 5L, 5M, 5N)	A-H	1
665	315T3524-2		.RING- (USED ON ITEMS 1, 1A, 1B)	A,C,E ,F	1
-665A	315T3524-6		.RING- (OPT ITEM 665B) (USED ON ITEMS 1C, 1D, 1E, 1G, 1H)	A,C,E ,F,J	1
-665B	315T3524-2		.RING- (OPT ITEM 665A) (USED ON ITEMS 1C, 1D, 1E, 1G, 1H)	A,C,E ,F,J	1
-665C	315T3524-8		.RING- (USED ON ITEMS 1J, 1K, 1L, 1M, 1N)	A,C,E ,F,J	1

78-31-22

FIG. & ITEM	PART NO.	AIRLINE PART NUMBER	NOMENCLATURE 1234567	EFF CODE	QTY PER ASSY
05- -670	315T3524-1		.RING- (USED ON ITEMS 5, 5A, 5B)	B,D,G ,H	1
-670A	315T3524-5		.RING- (OPT ITEM 670B) (USED ON ITEMS 5C, 5D, 5E, 5G, 5H)	B,D,G ,H,K	1
-670B	315T3524-1		.RING- (OPT ITEM 670A) (USED ON ITEMS 5C, 5D, 5E, 5G, 5H)	B,D,G ,H,K	1
-670C	315T3524-7		.RING- (USED ON ITEMS 5J, 5K, 5L, 5M, 5N) ATTACHING PARTS	B,D,G ,H,K	1
675	BACB30NN3K3		.BOLT	A-K	10
680	315T3501-9		.RETAINER -----*	A-K	5
685	BRF100C3M		.NUTPLATE- (V52828) (SPEC BACN10KB3CFM) (OPT F2001-3 (V15653)) (OPT T8113C1032C (V11815)) (OPT VN151D1-02 (V92215)) (OPT 109F9207-3 (V72962)) (OPT F2001-3 (V15653)) ATTACHING PARTS	A-K	10
690	BACR15BA3AD		.RIVET- (SIZE DETERMINE ON INST)	A-K	20
695	BACS40R09C09F		.SHIM -----*	A-K	10
700	315T3501-3		.BULKHEAD ASSY- (USED ON ITEMS 1, 1A)	A	1
-705	315T3501-4		.BULKHEAD ASSY- (USED ON ITEMS 5, 5A)	B	1
710	315T3522-16		..FITTING ASSY- (REPLD BY ITEMS 710A, 710B) (PRE SB 767-78-0006)	A,B	1

78-31-22

 ILLUSTRATED PARTS LIST
 01.1 Page 1092J
 Nov 01/03

315T3500
 315T3001
 315T4026 DASH NUMBERS
 LIMITED

 **BOEING**
 COMPONENT
 MAINTENANCE MANUAL

FIG. & ITEM	PART NO.	AIRLINE PART NUMBER	NOMENCLATURE 1234567	EFF CODE	QTY PER ASSY
05- -710A	315T3522-4		..FITTING ASSY- (REPLS ITEM 710) (OPT ITEM 710B) (PRE SB 767-78-0006)	A,B	1
-710B	315T3522-28		..FITTING ASSY- (REPLS ITEM 710) (OPT ITEM 710A) (PRE SB 767-78-0006)	A,B	1
-710D	015T0263-36		..FITTING ASSY- (LIMITED) (POST SB 767-78-0006)	A,B	1
-710E	015T0263-32		..FITTING ASSY- (LIMITED) (OPT ITEM 710F) (POST SB 767-78-0006)	A,B	1
-710F	315T3522-36		..FITTING ASSY- (LIMITED) (OPT ITEM 710E) (POST SB 767-78-0006)	A,B	1
715	315T3522-14		..FITTING ASSY- (REPLD BY ITEM 715A) (PRE SB 767-78-0006)	A,B	5
-715A	315T3522-2		..FITTING ASSY- (REPLS ITEM 715) (OPT ITEM 715B) (PRE SB 767-78-0006)	A,B	5
-715B	315T3522-26		..FITTING ASSY- (REPLS ITEM 715) (OPT ITEM 715A) (PRE SB 767-78-0006)	A,B	5
-715D	015T0263-34		..FITTING ASSY- (LIMITED) (POST SB 767-78-0006)	A,B	5
-715E	015T0263-30		..FITTING ASSY- (LIMITED) (OPT ITEM 715F) (POST SB 767-78-0006)	A,B	5
-715F	315T3522-34		..FITTING ASSY- (LIMITED) (OPT ITEM 715E) (POST SB 767-78-0006)	A,B	5
716	BACB30NM3K7		..BOLT	A,B	12
716A	AN960-10L		..WASHER	A,B	12
716B	BACN10GW3AS		..NUT	A,B	12

78-31-22

ILLUSTRATED PARTS LIST
 01.1 Page 1092K
 Nov 01/03

FIG. & ITEM	PART NO.	AIRLINE PART NUMBER	NOMENCLATURE 1234567	EFF CODE	QTY PER ASSY
05-716C	HL13VAZ6-6		..BOLT- (V56878) (SPEC BACB30NY6K6) (OPT HL13VAZ6-6 (V73197)) (OPT HL13VAZ6-6 (V92215)) (OPT HL13VAZ6-6 (V97928)) (OPT L801-6K6 (V06725)) (OPT HL13VAZ6-6 (V08524)) (OPT HL13V6 (V06725)) (OPT HL13VAZ6-6 (V60516))	A,B	6
716D	HL1187DU6		..COLLAR- (V5M902) (SPEC BACC30X6S) (OPT HL87DU6 (V73197)) (OPT HL87DU6 (V92215)) (OPT HL1187DU6 (V56878)) (OPT HL1187DU6 (V92215)) (OPT HL87DU6 (V56878)) (OPT HL1187DU6 (V73197)) -----*-----	A,B	6
720	BACB28AK04-038		...BUSHING	A,B	1
725B	BACB28AM06B016A		...BUSHING	A,B	1
730	BACB28AP04P016		...BUSHING	A,B	1
-735A	315T3522-8		...FITTING- (USED ON ITEM 710A)	A,B	1
735B	315T3522-24		...FITTING- (USED ON ITEM 710)	A,B	1
-735C	315T3522-32		...FITTING- (USED ON ITEMS 710B, 710F)	A,B	1
-740A	315T3522-6		...FITTING- (USED ON ITEM 715A)	A,B	1

78-31-22

 ILLUSTRATED PARTS LIST
 01.1 Page 1092L
 Nov 01/03

315T3500
 315T3001
 315T4026 DASH NUMBERS
 LIMITED

 **BOEING**
 COMPONENT
 MAINTENANCE MANUAL

FIG. & ITEM	PART NO.	AIRLINE PART NUMBER	NOMENCLATURE 1234567	EFF CODE	QTY PER ASSY
05-740B	315T3522-22		...FITTING- (USED ON ITEM 715)	A,B	1
-740C	315T3522-30		...FITTING- (USED ON ITEM 715B)	A,B	1
-740D	315T3522-38		...FITTING- (USED ON ITEM 715E)	A,B	1
745	315T3522-13		..FITTING ASSY- (REPLD BY ITEMS 745A, 745B) (PRE SB 767-78-0006)	A,B	5
-745A	315T3522-1		..FITTING ASSY- (REPLS ITEM 745) (OPT ITEM 745B) (PRE SB 767-78-0006)	A,B	5
-745B	315T3522-25		..FITTING ASSY- (REPLS ITEM 745) (OPT ITEM 745A) (PRE SB 767-78-0006)	A,B	5
-745D	015T0263-33		..FITTING ASSY- (LIMITED) (POST SB 767-78-0006)	A,B	5
-745E	015T0263-29		..FITTING ASSY- (LIMITED) (OPT ITEM 745F) (POST SB 767-78-0006)	A,B	5
-745F	315T3522-33		..FITTING ASSY- (LIMITED) (OPT ITEM 745E) (POST SB 767-78-0006)	A,B	5

78-31-22

ILLUSTRATED PARTS LIST
 01.1 Page 1092M
 Nov 01/03

FIG. & ITEM	PART NO.	AIRLINE PART NUMBER	NOMENCLATURE 1234567	EFF CODE	QTY PER ASSY
05-750	315T3522-15		..FITTING ASSY- (REPLD BY ITEMS 750A, 750B) (PRE SB 767-78-0006)	A,B	1
-750A	315T3522-3		..FITTING ASSY- (REPLS ITEM 750) (OPT ITEM 750B) (PRE SB 767-78-0006)	A,B	1
-750B	315T3522-27		..FITTING ASSY- (REPLS ITEM 750) (OPT ITEM 750A) (PRE SB 767-78-0006)	A,B	1
-750D	015T0263-35		..FITTING ASSY- (LIMITED) (POST SB 767-78-0006)	A,B	1
-750E	015T0263-31		..FITTING ASSY- (LIMITED) (OPT ITEM 750F) (POST SB 767-78-0006)	A,B	1
-750F	315T3522-35		..FITTING ASSY- (LIMITED) (OPT ITEM 750E) (POST SB 767-78-0006)	A,B	1
752	BACB30NM3K7		ATTACHING PARTS		
752A	AN960-10L		..BOLT	A,B	12
752B	BACN10GW3AS		..WASHER	A,B	12
752C	HL13VAZ6-6		..NUT	A,B	12
			..BOLT- (V56878) (SPEC BACB30NY6K6) (OPT HL13VAZ6-6 (V73197)) (OPT HL13VAZ6-6 (V92215)) (OPT HL13VAZ6-6 (V97928)) (OPT L801-6K6 (V06725)) (OPT HL13VAZ6-6 (V08524)) (OPT HL13V6 (V06725)) (OPT HL13VAZ6-6 (V60516))	A,B	6

78-31-22

 ILLUSTRATED PARTS LIST
 01.1 Page 1092N
 Nov 01/03

FIG. & ITEM	PART NO.	AIRLINE PART NUMBER	NOMENCLATURE 1234567	EFF CODE	QTY PER ASSY
05-752D	HL1187DU6		..COLLAR- (V5M902) (SPEC BACC30X6S) (OPT HL87DU6 (V73197)) (OPT HL87DU6 (V92215)) (OPT HL1187DU6 (V56878)) (OPT HL1187DU6 (V92215)) (OPT HL87DU6 (V56878)) (OPT HL1187DU6 (V73197)) -----*	A,B	6
755	BACB28AK04-038		...BUSHING	A,B	2
760A	BACB28AM06B016A		...BUSHING	A,B	2
-765A	315T3522-5		...FITTING- (USED ON ITEM 745A)	A,B	1
765B	315T3522-21		...FITTING- (USED ON ITEM 745)	A,B	1
-765C	315T3522-29		...FITTING- (USED ON ITEM 745B)	A,B	1
-765D	315T3522-37		...FITTING- (USED ON ITEM 745F)	A,B	1
-770A	315T3522-7		...FITTING- (USED ON ITEM 750A)	A,B	1
770B	315T3522-23		...FITTING- (USED ON ITEM 750)	A,B	1
-770C	315T3522-31		...FITTING- (USED ON ITEMS 750B, 750F)	A,B	1
770E	BACS40R10D10F		...SHIM	A-K	AR
770G	315T3501-33		.WASHER- (USED ON ITEMS 1E, 1G, 1H, 1J, 1K, 1L, 1N, 5E, 5G, 5H, 5J, 5K, 5L, 5N)	A-K	6

78-31-22

FIG. & ITEM	PART NO.	AIRLINE PART NUMBER	NOMENCLATURE 1234567	EFF CODE	QTY PER ASSY
05-771A	315T3501-31		.BRACKET-ANTI-ROTATION (USED ON ITEMS 1E, 1G, 1H, 1J, 1K, 1L, 1N, 5E, 5G, 5H, 5J, 5K, 5L, 5N)	A-K	5
772A	315T3501-32		.BRACKET-ANTI-ROTATION (USED ON ITEMS 1E, 1G, 1H, 1J, 1K, 1L, 1N, 5E, 5G, 5N)	A-K	1
773	BACR15BA3AD		.RIVET- (SIZE DETERMINE ON INST) (USED ON ITEMS 1, 5)	A,B	74
776	BRF200C3M		.NUTPLATE- (V52828) (SPEC BACN10JR3CFM) (OPT F5001-3BAC (V15653)) (OPT NS103203SE02 (V80539)) (OPT T8092C1032 (V11815)) (OPT VN152D1-02 (V92215)) (OPT 109F9201-3 (V72962)) (USED ON ITEMS 1, 5)	A,B	37
779	BACB30NN3K17		.BOLT	A-K	4
782	BACR15BA3AD		.RIVET- (SIZE DETERMINE ON INST)	A-K	8
785	BRF100C3M		.NUTPLATE- (V52828) (SPEC BACN10KB3CFM) (OPT F2001-3 (V15653)) (OPT T8113C1032C (V11815)) (OPT VN151D1-02 (V92215)) (OPT 109F9207-3 (V72962)) (OPT F2001-3 (V15653))	A-K	4

78-31-22

 ILLUSTRATED PARTS LIST
 01.1 Page 1092P
 Nov 01/03

315T3500
 315T3001
 315T4026 DASH NUMBERS
 LIMITED

 **BOEING**
 COMPONENT
 MAINTENANCE MANUAL

FIG. & ITEM	PART NO.	AIRLINE PART NUMBER	NOMENCLATURE 1234567	EFF CODE	QTY PER ASSY
05- 788 788A 791	BACB30NN3K19 BACB30NN3K17 BACR15BA3AD		DELETED .BOLT .RIVET- (SIZE DETERMINE ON INST) (USED ON ITEMS 1A, 1B, 1C, 1D, 1E, 1G, 1H, 1J, 1K, 1L, 1M, 1N, 5A, 5B, 5C, 5D, 5E, 5G, 5H, 5J, 5K, 5L, 5M, 5N)	A-K A-K	43 86
794	BRF100C3M		.NUTPLATE- (V52828) (SPEC BACN10KB3CFM) (OPT F2001-3 (V15653)) (OPT T8113C1032C (V11815)) (OPT VN151D1-02 (V92215)) (OPT 109F9207-3 (V72962)) (OPT F2001-3 (V15653)) (USED ON ITEMS 1A, 1B, 1C, 1D, 1E, 1G, 1H, 1J, 1K, 1L, 1M, 1N, 5A, 5B, 5C, 5D, 5E, 5G, 5H, 5J, 5K, 5L, 5M, 5N)	A-K	43
797	BACB30NN3K3		.BOLT- (USED ON ITEMS 1A, 1B, 1C, 1D, 1E, 1G, 1H, 1J, 1K, 1L, 1M, 1N, 5A, 5B, 5C, 5D, 5E, 5G, 5H, 5J, 5K, 5L, 5M, 5N)	A-K	10

78-31-22

ILLUSTRATED PARTS LIST
 01.1 Page 1092Q
 Nov 01/03

FIG. & ITEM	PART NO.	AIRLINE PART NUMBER	NOMENCLATURE 1234567	EFF CODE	QTY PER ASSY
05-800	BACR15BA3AD		.RIVET- (SIZE DETERMINE ON INST) (USED ON ITEMS 1A, 1B, 1C, 1D, 1E, 1G, 1H, 1J, 1K, 1L, 1N, 1M, 5A, 5B, 5C, 5D, 5E, 5G, 5H, 5J, 5K, 5L, 5M, 5N)	A-K	20
803	BRF100C3M		.NUTPLATE- (V52828) (SPEC BACN10KB3CFM) (OPT F2001-3 (V15653)) (OPT T8113C1032C (V11815)) (OPT VN151D1-02 (V92215)) (OPT 109F9207-3 (V72962)) (OPT F2001-3 (V15653)) (USED ON ITEMS 1A, 1B, 1C, 1D, 1E, 1G, 1H, 1J, 1K, 1L, 1M, 1N, 5A, 5B, 5C, 5D, 5E, 5G, 5H, 5J, 5K, 5L, 5M, 5N)	A-K	10
806	BACR15BA3AD		.RIVET- (SIZE DETERMINE ON INST) (USED ON ITEMS 1A, 1B, 1C, 1D, 1E, 1G, 1H, 1J, 1K, 1L, 1M, 1N, 5A, 5B, 5C, 5D, 5E, 5G, 5H, 5J, 5K, 5L, 5M, 5N)	A-K	105

78-31-22

ILLUSTRATED PARTS LIST
 01.1 Page 1092R
 Nov 01/03

FIG. & ITEM	PART NO.	AIRLINE PART NUMBER	NOMENCLATURE 1234567	EFF CODE	QTY PER ASSY
05-809	BRF200C3M		.NUTPLATE- (V52828) (SPEC BACN10JR3CFM) (OPT F5001-3BAC (V15653)) (OPT NS103203SE02 (V80539)) (OPT T8092C1032 (V11815)) (OPT VN152D1-02 (V92215)) (OPT 109F9201-3 (V72962)) (USED ON ITEMS 1A, 1B, 1C, 1D, 1E, 1G, 1H, 1J, 1K, 1L, 1M, 5A, 5B, 5C, 5D, 5E, 5G, 5H, 5J, 5K, 5L, 5M)	A-K	45
-810	HL10VAZ6-5		.BOLT- (V60516) (SPEC BACB30MY6K5) (OPT B30MY6K5 (V97928))	A-K	1
-810G	HL11VAZ6-5		.BOLT- (V60516) (SPEC BACB30NW6K5) (OPT HL11V6-5 (V92215)) (OPT HL11V6-5 (V97928)) (OPT L803-6-5 (V06725)) (OPT B30NW6K5 (V97928)) (OPT HL11VAZ6-5 (V73197)) (OPT HL11VAZ6-5 (V92215)) (OPT HL11VAZ6-5 (V56878))	A-K	2

78-31-22

FIG. & ITEM	PART NO.	AIRLINE PART NUMBER	NOMENCLATURE	EFF CODE	QTY PER ASSY
			1234567		
05- -811	HL79-6		.COLLAR- (V5M902) (SPEC BACC30M6) (OPT HL79-6 (V73197)) (OPT HL79-6 (V92215)) (OPT 66014-6 (V56878)) (OPT HL79-6 (V56878))	A-K	3
-812D	315T3526-68		.BRACKET- (USED ON ITEMS 1A, 1B, 1C, 1D, 1E, 1G, 1H, 1J, 1K, 1L, 1M, 5A, 5B, 5C, 5D, 5E, 5G, 5H, 5J, 5K, 5L, 5M)	A-K	1
-821	315T3526-41		.CLIP ASSY- (USED ON ITEMS 1A, 1B, 1C, 1D, 1E, 1G, 1H, 1J, 1K, 1L, 1M, 5A, 5B, 5C, 5D, 5E, 5G, 5H, 5J, 5K, 5L, 5M)	A-K	2
-821A	BACR15FT6KE		ATTACHING PARTS .RIVET- (SIZE DETERMINE ON INST)	A-K	1
-821B	BACR15CE6KE		.RIVET- (SIZE DETERMINE ON INST) -----*-----	A-K	1

78-31-22

ILLUSTRATED PARTS LIST
 01.1 Page 1092T
 Nov 01/03

315T3500
 315T3001
 315T4026 DASH NUMBERS
 LIMITED

 **BOEING**
 COMPONENT
 MAINTENANCE MANUAL

FIG. & ITEM	PART NO.	AIRLINE PART NUMBER	NOMENCLATURE 1234567	EFF CODE	QTY PER ASSY
05-824	BACR15BA3AD		..RIVET- (SIZE DETERMINE ON INST)	A-K	2
827	BRF200C3M		..NUTPLATE- (V52828) (SPEC BACN10JR3CFM) (OPT F5001-3BAC (V15653)) (OPT NS103203SE02 (V80539)) (OPT T8092C1032 (V11815)) (OPT VN152D1-02 (V92215)) (OPT 109F9201-3 (V72962))	A-K	1
-828	315T3526-49		..CLIP	A-K	1
-830	315T3526-34		.CLIP ASSY- (USED ON ITEMS 1A, 1B, 1C, 1D, 1E, 1G, 1H, 1J, 1K, 1L, 1M, 5A, 5B, 5C, 5D, 5E, 5G, 5H, 5J, 5K, 5L, 5M)	A-K	10
833	BACR15BA3AD		..RIVET- (SIZE DETERMINE ON INST)	A-K	22
836	BRF200C3M		..NUTPLATE- (V52828) (SPEC BACN10JR3CFM) (OPT F5001-3BAC (V15653)) (OPT NS103203SE02 (V80539)) (OPT T8092C1032 (V11815)) (OPT VN152D1-02 (V92215)) (OPT 109F9201-3 (V72962))	A-K	1

78-31-22

ILLUSTRATED PARTS LIST
 01.1 Page 1092U
 Nov 01/03

FIG. & ITEM	PART NO.	AIRLINE PART NUMBER	NOMENCLATURE 1234567	EFF CODE	QTY PER ASSY
05-					
-837	315T3526-33		..CLIP	A-K	1
-839	315T3526-35		.CLIP ASSY- (USED ON ITEMS 1A, 1B, 1C, 1D, 1E, 1G, 1H, 1J, 1K, 1L, 1M, 5A, 5B, 5C, 5D, 5E, 5G, 5H, 5J, 5K, 5L, 5M)	A-K	4
842	BACR15BA3AD		..RIVET- (SIZE DETERMINE ON INST)	A-K	2
845	BRF200C3M		..NUTPLATE- (V52828) (SPEC BACN10JR3CFM) (OPT F5001-3BAC (V15653)) (OPT NS103203SE02 (V80539)) (OPT T8092C1032 (V11815)) (OPT VN152D1-02 (V92215)) (OPT 109F9201-3 (V72962))	A-K	1
-846	315T3526-33		..CLIP	A-K	1
-848	315T3526-39		.BRACKET ASSY- (USED ON ITEMS 1A, 1B, 1C, 1D, 5A, 5B, 5C, 5D)	A-H	5
-848A	315T3526-39		.BRACKET ASSY- (LIMITED) (USED ON ITEMS 1E, 5E)	A-H	5

78-31-22

 ILLUSTRATED PARTS LIST
 01.1 Page 1092V
 Nov 01/03

315T3500
 315T3001
 315T4026 DASH NUMBERS
 LIMITED

 **BOEING**
 COMPONENT
 MAINTENANCE MANUAL

FIG. & ITEM	PART NO.	AIRLINE PART NUMBER	NOMENCLATURE 1234567	EFF CODE	QTY PER ASSY
05- -848B	315T3526-69		.BRACKET ASSY- (LIMITED) (USED ON ITEMS 1E, 5E)	A-H	5
-848C	315T3526-69		.BRACKET ASSY- (USED ON ITEMS 1G, 1H, 1J, 1K, 1L, 1M, 5G, 5H, 5J, 5K, 5L, 5M)	A-K	5
-848D	315T3526-89		.BRACKET- (USED ON ITEMS 1N, 5N)	A-H	5
851	BACR15BA3AD		..RIVET- (SIZE DETERMINE ON INST) (USED ON ITEMS 848, 848A, 848B, 848C)	A-K	2
854	BRF200C3M		..NUTPLATE- (V52828) (SPEC BACN10JR3CFM) (OPT F5001-3BAC (V15653)) (OPT NS103203SE02 (V80539)) (OPT T8092C1032 (V11815)) (OPT VN152D1-02 (V92215)) (OPT 109F9201-3 (V72962)) (USED ON ITEMS 848, 848A, 848B, 848C)	A-K	1
-855	315T3526-47		..BRACKET- (USED ON ITEMS 848, 848A)	A-H	1
-855A	315T3526-71		..BRACKET- (USED ON ITEMS 848B, 848C)	A-K	1

78-31-22

ILLUSTRATED PARTS LIST
 01.1 Page 1092W
 Nov 01/03

FIG. & ITEM	PART NO.	AIRLINE PART NUMBER	NOMENCLATURE 1234567	EFF CODE	QTY PER ASSY
05- -857A	315T3526-67		.BRACKET- (USED ON ITEMS 1A, 1B, 1C, 1D, 1E, 1G, 1H, 1J, 1K, 1L, 1M, 5A, 5B, 5C, 5D, 5E, 5G, 5H, 5J, 5K, 5L, 5M)	A-K	1
-866	315T3526-37		.PLATE ASSY-SPLICE (USED ON ITEMS 1A, 1B, 1C, 1D, 1E, 1G, 1H, 1J, 1K, 1L, 1M, 5A, 5B, 5C, 5D, 5E, 5G, 5H, 5J, 5K, 5L, 5M)	A-K	1
869	BACR15BA3AD		..RIVET- (SIZE DETERMINE ON INST)	A-K	4
872	BRF200C3M		..NUTPLATE- (V52828) (SPEC BACN10JR3CFM) (OPT F5001-3BAC (V15653)) (OPT NS103203SE02 (V80539)) (OPT T8092C1032 (V11815)) (OPT VN152D1-02 (V92215)) (OPT 109F9201-3 (V72962))	A-K	2
-873	315T3526-50		..PLATE	A-K	1
-875	315T3526-38		.PLATE ASSY-SPLICE (USED ON ITEMS 1A, 1B, 1C, 1D, 1E, 1G, 1H, 1J, 1K, 1L, 1M, 5A, 5B, 5C, 5D, 5E, 5G, 5H, 5J, 5K, 5L, 5M)	A-K	1

78-31-22

ILLUSTRATED PARTS LIST
01.1 Page 1092X
Nov 01/03

315T3500
 315T3001
 315T4026 DASH NUMBERS
 LIMITED

 **BOEING**
 COMPONENT
 MAINTENANCE MANUAL

FIG. & ITEM	PART NO.	AIRLINE PART NUMBER	NOMENCLATURE 1234567	EFF CODE	QTY PER ASSY
05-878	BACR15BA3AD		..RIVET- (SIZE DETERMINE ON INST)	A-K	4
881	BRF200C3M		..NUTPLATE- (V52828) (SPEC BACN10JR3CFM) (OPT F5001-3BAC (V15653)) (OPT NS103203SE02 (V80539)) (OPT T8092C1032 (V11815)) (OPT VN152D1-02 (V92215)) (OPT 109F9201-3 (V72962))	A-K	2
-882	315T3526-50		..PLATE	A-K	1
-884	315T3526-40		.BRACKET ASSY- (USED ON ITEMS 1A, 1B, 1C, 5A, 5B, 5C)	A-H	5
-884A	315T3526-40		.BRACKET ASSY- (LIMITED) (USED ON ITEMS 1E, 5E)	A-H	5
-884B	315T3526-70		.BRACKET ASSY- (LIMITED) (USED ON ITEMS 1E, 5E)	A-H	5
-884C	315T3526-70		.BRACKET ASSY- (USED ON ITEMS 1G, 1H, 1J, 1K, 1L, 1M, 5G, 5H, 5J, 5K, 5L, 5M)	A-K	5
-884D	315T3526-90		.BRACKET- (USED ON ITEMS 1N, 5N)	A-K	5

78-31-22

ILLUSTRATED PARTS LIST
 01.1 Page 1092Y
 Nov 01/03

FIG. & ITEM	PART NO.	AIRLINE PART NUMBER	NOMENCLATURE 1234567	EFF CODE	QTY PER ASSY
05-887	BACR15BA3AD		..RIVET- (SIZE DETERMINE ON INST) (USED ON ITEMS 884, 884A, 884B, 884C)	A-K	2
890	BRF200C3M		..NUTPLATE- (V52828) (SPEC BACN10JR3CFM) (OPT F5001-3BAC (V15653)) (OPT NS103203SE02 (V80539)) (OPT T8092C1032 (V11815)) (OPT VN152D1-02 (V92215)) (OPT 109F9201-3 (V72962)) (USED ON ITEMS 884, 884A, 884B, 884C)	A-K	1
-891	315T3526-48		..BRACKET- (USED ON ITEMS 884, 884A)	A-H	1
-891A	315T3526-72		..BRACKET- (USED ON ITEMS 884B, 884C)	A-K	1
-893	315T3526-36		.CLIP ASSY- (USED ON ITEMS 1A, 1B, 1C, 1D, 1E, 1G, 1H, 1J, 1K, 1L, 1M, 5A, 5B, 5C, 5D, 5E, 5G, 5H, 5J, 5K, 5L, 5M)	A-K	4

78-31-22

ILLUSTRATED PARTS LIST
 01.1 Page 1092Z
 Nov 01/03

FIG. & ITEM	PART NO.	AIRLINE PART NUMBER	NOMENCLATURE 1234567	EFF CODE	QTY PER ASSY
05-896	BACR15BA3AD		..RIVET- (SIZE DETERMINE ON INST)	A-K	2
899	BRF200C3M		..NUTPLATE- (V52828) (SPEC BACN10JR3CFM) (OPT F5001-3BAC (V15653)) (OPT NS103203SE02 (V80539)) (OPT T8092C1032 (V11815)) (OPT VN152D1-02 (V92215)) (OPT 109F9201-3 (V72962))	A-K	1
-900	315T3526-33		..CLIP	A-K	1
-920	315T3526-58		.CLIP ASSY- (USED ON ITEMS 1A, 1B, 1C, 1D, 1E, 1G, 1H, 1J, 1K, 1L, 1M, 5A, 5B, 5C, 5D, 5E, 5G, 5H, 5J, 5K, 5L, 5M)	A-K	1
-925	BACR15CE6KE		ATTACHING PARTS ..RIVET- (SIZE DETERMINE ON INST) -----*	A-K	2
930	BACR15BA3AD		..RIVET- (SIZE DETERMINE ON INST)	A-K	4
935	BRF200C3M		..NUTPLATE- (V52828) (SPEC BACN10JR3CFM) (OPT F5001-3BAC (V15653)) (OPT NS103203SE02 (V80539)) (OPT T8092C1032 (V11815)) (OPT VN152D1-02 (V92215)) (OPT 109F9201-3 (V72962))	A-K	2

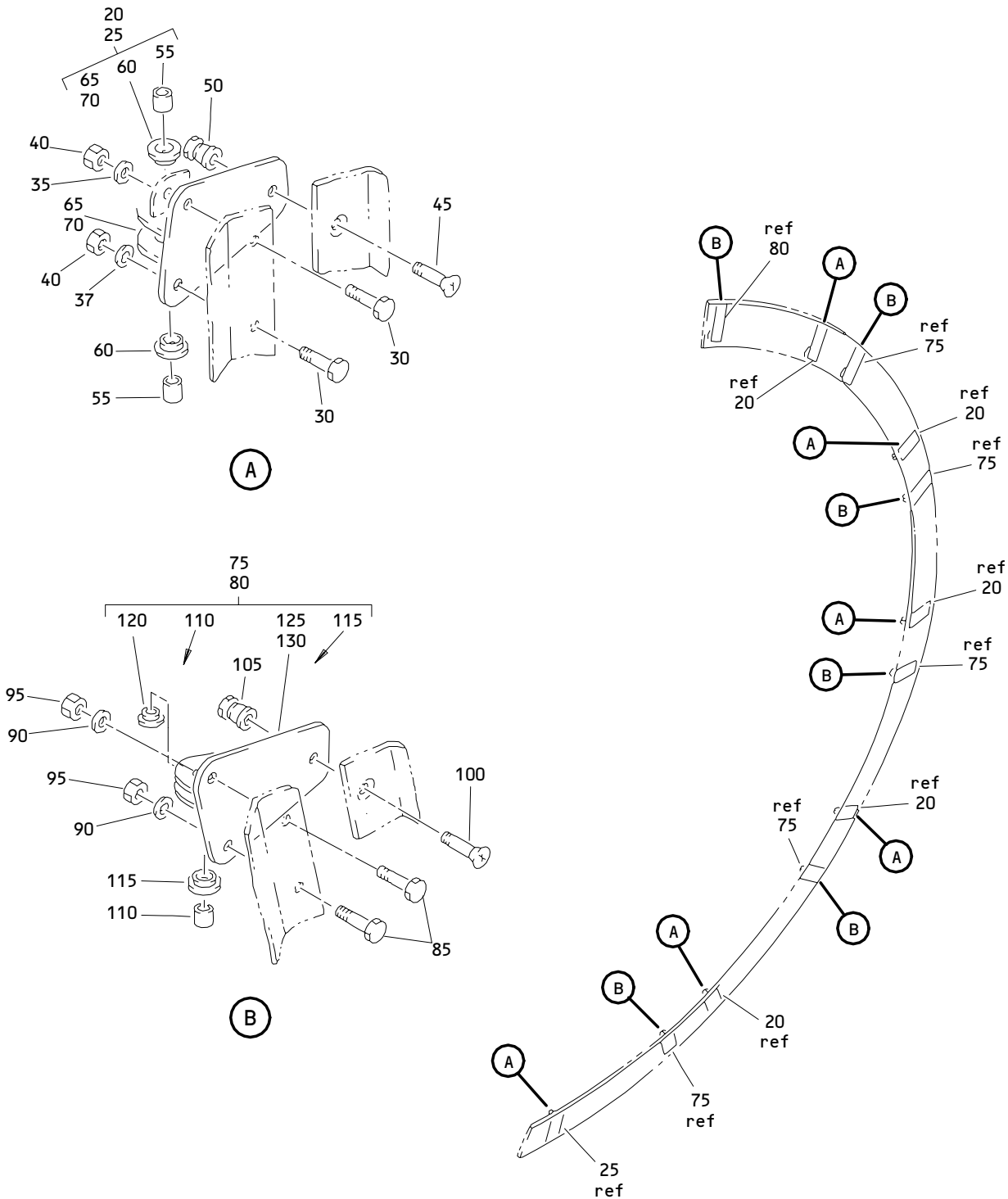
78-31-22

FIG. & ITEM	PART NO.	AIRLINE PART NUMBER	NOMENCLATURE	EFF CODE	QTY PER ASSY
05-940	315T3526-57		1234567 ..CLIP DELETED ITEMS 30A AND 40 FOR ATTACHING HARDWARE. *(2)315T3501-33 REPLACES AN960-10L WASHER AT ANTI- ROTATION BRACKET LOCATIONS.	A-K	1

- Item Not Illustrated

*(2) 315T3501-33 REPLACES AN960-10L WASHER AT ANTI-ROTATION BRACKET LOCATIONS

78-31-22



Hinge Bulkhead Assembly
 Figure 6

78-31-22

ILLUSTRATED PARTS LIST
 01.1 Page 1094B
 Nov 01/03

315T3500
 315T3001
 315T4026 DASH NUMBERS
 LIMITED

 **BOEING**
 COMPONENT
 MAINTENANCE MANUAL

FIG. & ITEM	PART NO.	AIRLINE PART NUMBER	NOMENCLATURE 1234567	EFF CODE	QTY PER ASSY
06- -1	315T3501-15		BULKHEAD ASSY-HINGE	A,C,E ,F,J	RF
-5	315T3501-16		BULKHEAD ASSY-HINGE	B,D,G ,H,K	RF
-10	315T3501-5005		.BULKHEAD ASSY- (LIMITED)	A,C,E ,F,J	1
-10A	315T3501-5007		.BULKHEAD ASSY- (LIMITED)	A,C,E ,F,J	1
-10B	315T3501-5039		.BULKHEAD ASSY- (LIMITED)	A,C,E ,F,J	1
-10C	315T3501-5041		DELETED		
-10D	315T3501-5043		.BULKHEAD ASSY- (LIMITED)	A,C,E ,F,J	1
-10E	315T3501-5051		.BULKHEAD ASSY- (LIMITED)	A,C,E ,F,J	1
-10F	315T3501-5053		.BULKHEAD ASSY- (LIMITED)	A,C,E ,F,J	1
-10G	315T3501-5061		.BULKHEAD ASSY- (LIMITED)	A,C,E ,F,J	1
-15	315T3501-5006		.BULKHEAD ASSY- (LIMITED)	B,D,G ,H,K	1
-15A	315T3501-5008		.BULKHEAD ASSY- (LIMITED)	B,D,G ,H,K	1
-15B	315T3501-5040		.BULKHEAD ASSY- (LIMITED)	B,D,G ,H,K	1
-15C	315T3501-5042		DELETED		
-15D	315T3501-5044		.BULKHEAD ASSY- (LIMITED)	B,D,G ,H,K	1
-15E	315T3501-5052		.BULKHEAD ASSY- (LIMITED)	B,D,G ,H,K	1
-15F	315T3501-5054		.BULKHEAD ASSY- (LIMITED)	B,D,G ,H,K	1
-15G	315T3501-5062		.BULKHEAD ASSY- (LIMITED)	B,D,G ,H,K	1

78-31-22

ILLUSTRATED PARTS LIST
 01.1 Page 1094C
 Nov 01/03

FIG. & ITEM	PART NO.	AIRLINE PART NUMBER	NOMENCLATURE 1234567	EFF CODE	QTY PER ASSY
06-20	315T3522-25		..FITTING ASSY- (REPLD BY ITEM 20B) (USED ON ITEMS 10, 15) (PRE SB 767-78-0006)	A-D	5
-20A	315T3522-33		..FITTING ASSY- (USED ON ITEMS 10A, 15A)	A-K	5
-20B	315T3522-39		..FITTING ASSY- (REPLS ITEM 20) (USED ON ITEMS 10, 15)	A-K	5
-20C	315T3522-43		..FITTING ASSY- (OPT ITEM 20D) (USED ON ITEMS 10B, 10E, 15B, 15E)	A-K	5
-20D	315T3522-33		..FITTING ASSY- (OPT ITEM 20C) (USED ON ITEMS 10B, 10E, 15B, 15E)	A-K	5
-20E	315T3522-53		..FITTING ASSY- (OPT ITEM 20H) (USED ON ITEMS 10D, 10F, 10G, 15D, 15F, 15G)	A-K	5
-20F	315T3522-25		..FITTING ASSY- (REPLD BY ITEM 20B)	F,H	5
-20G	315T3522-33		..FITTING ASSY- (USED ON ITEMS 10, 15) (POST SB 767-78-0006)	A-D	5
-20H	315T3522-43		..FITTING ASSY- (OPT ITEM 20E) (USED ON ITEMS 10D, 10F, 10G, 15D, 15F, 15G)	A-K	5

78-31-22

 ILLUSTRATED PARTS LIST
 01.1 Page 1094D
 Nov 01/03

315T3500
 315T3001
 315T4026 DASH NUMBERS
 LIMITED

 **BOEING**
 COMPONENT
 MAINTENANCE MANUAL

FIG. & ITEM	PART NO.	AIRLINE PART NUMBER	NOMENCLATURE 1234567	EFF CODE	QTY PER ASSY
06-25	315T3522-27		..FITTING ASSY- (USED ON ITEMS 10, 15) (PRE SB 767-78-0006)	A-D	1
-25A	315T3522-35		..FITTING ASSY- (USED ON ITEMS 10A, 15A)	A-K	1
-25B	315T3522-47		..FITTING ASSY- (OPT ITEM 25C) (USED ON ITEMS 10B, 10E, 15B, 15E)	A-K	1
-25C	315T3522-35		..FITTING ASSY- (OPT ITEM 25B) (USED ON ITEMS 10B, 10E, 15B, 15E)	A-K	1
-25D	315T3522-55		..FITTING ASSY- (OPT ITEM 25G) (USED ON ITEMS 10D, 10F, 10G, 15D, 15F, 15G)	A-K	1
-25E	315T3522-27		..FITTING ASSY	F,H	1
-25F	315T3522-35		..FITTING ASSY- (USED ON ITEMS 10, 15) (POST SB 767-78-0006)	A-D	1
-25G	315T3522-47		..FITTING ASSY- (OPT ITEM 25D) (USED ON ITEMS 10D, 10F, 10G, 15D, 15F, 15G) ATTACHING PARTS	A-K	1
30	BACB30NM3K7		..BOLT	A-K	12
-30A	BACB30NM3K8		..BOLT	A-K	12
35	AN960-10L		..WASHER	A-K	6
37	AN960-10L		..WASHER	A-K	6
40	BACN10GW3AS		..NUT	A-K	12

78-31-22

ILLUSTRATED PARTS LIST
 01.1 Page 1094E
 Nov 01/03

FIG. & ITEM	PART NO.	AIRLINE PART NUMBER	NOMENCLATURE 1234567	EFF CODE	QTY PER ASSY
06-45	HL13VAZ6-6		..BOLT- (V56878) (SPEC BACB30NY6K6) (OPT HL13VAZ6-6 (V73197)) (OPT HL13VAZ6-6 (V92215)) (OPT HL13VAZ6-6 (V97928)) (OPT L801-6K6 (V06725)) (OPT HL13VAZ6-6 (V08524)) (OPT HL13V6 (V06725)) (OPT HL13VAZ6-6 (V60516))	A-K	6
50	HL1187DU6		..COLLAR- (V5M902) (SPEC BACC30X6S) (OPT HL87DU6 (V73197)) (OPT HL87DU6 (V92215)) (OPT HL1187DU6 (V56878)) (OPT HL1187DU6 (V92215)) (OPT HL87DU6 (V56878)) (OPT HL1187DU6 (V73197)) -----*	A-K	6

78-31-22

315T3500
 315T3001
 315T4026 DASH NUMBERS
 LIMITED

 **BOEING**
 COMPONENT
 MAINTENANCE MANUAL

FIG. & ITEM	PART NO.	AIRLINE PART NUMBER	NOMENCLATURE 1234567	EFF CODE	QTY PER ASSY
06-55	BACB28AK04-038		...BUSHING- (USED ON ITEMS 20, 20B, 20F, 25, 25F)	A-K	2
-55A	KJB229504B		...BUSHING- (V50632) (USED ON ITEMS 20A, 20C, 20D, 20E, 20G, 25A, 25B, 25C, 25D, 25F)	A-K	2
60	BACB28AM06B016A		...BUSHING- (USED ON ITEMS 20, 20B, 20F, 25, 25E)	A-K	2
-60A	BACB28AP06P016		...BUSHING- (USED ON ITEMS 20A, 20C, 20D, 20E, 20F, 25A, 25B, 25C, 25D, 25F)	A-K	2
65	315T3522-29		...FITTING- (USED ON ITEMS 20, 20F)	A-K	1
-65A	315T3522-37		...FITTING- (USED ON ITEMS 20A, 20B, 20D, 20G)	A-K	1
-65B	315T3522-41		...FITTING- (USED ON ITEM 20C)	A-K	1
-65C	315T3522-57		...FITTING- (USED ON ITEM 20E)	A-K	1
70	315T3522-31		...FITTING- (USED ON ITEMS 25, 25A, 25C, 25E, 25F)	A-K	1
-70A	315T3522-45		...FITTING- (USED ON ITEM 25B)	A-K	1
-70B	315T3522-59		...FITTING- (USED ON ITEM 25D)	A-K	1

78-31-22

ILLUSTRATED PARTS LIST
 01.1 Page 1094G
 Nov 01/03

FIG. & ITEM	PART NO.	AIRLINE PART NUMBER	NOMENCLATURE 1234567	EFF CODE	QTY PER ASSY
06-75	315T3522-26		..FITTING ASSY- (REPLD BY ITEM 75B) (USED ON ITEMS 10, 15) (PRE SB 767-78-0006)	A-D	5
-75A	315T3522-34		..FITTING ASSY- (USED ON ITEMS 10A, 15A)	A-K	5
-75B	315T3522-40		..FITTING ASSY- (REPLS ITEM 75) (USED ON ITEMS 10, 15)	A-K	5
-75C	315T3522-44		..FITTING ASSY- (OPT ITEM 75D) (USED ON ITEMS 10B, 10E, 15B, 15E)	A-K	5
-75D	315T3522-34		..FITTING ASSY- (OPT ITEM 75C) (USED ON ITEMS 10B, 10E, 15B, 15E)	A-K	5
-75E	315T3522-54		..FITTING ASSY- (OPT ITEM 75H) (USED ON ITEMS 10D, 10F, 10G, 15D, 15F, 15G)	A-K	5
-75F	315T3522-26		..FITTING ASSY- (REPLD BY ITEM 75B)	F,H	5
-75G	315T3522-34		..FITTING ASSY- (USED ON ITEMS 10, 15) (POST SB 767-78-0006)	A-D	5
-75H	315T3522-44		..FITTING ASSY- (OPT ITEM 75E) (USED ON ITEMS 10D, 10F, 10G, 15D, 15F, 15G)	A-K	5

78-31-22

 ILLUSTRATED PARTS LIST
 01.1 Page 1094H
 Nov 01/03

315T3500
 315T3001
 315T4026 DASH NUMBERS
 LIMITED

 **BOEING**
 COMPONENT
 MAINTENANCE MANUAL

FIG. & ITEM	PART NO.	AIRLINE PART NUMBER	NOMENCLATURE 1234567	EFF CODE	QTY PER ASSY
06-80	315T3522-28		..FITTING ASSY- (USED ON ITEMS 10, 15) (PRE SB 767-78-0006)	A-D	1
-80A	315T3522-36		..FITTING ASSY- (USED ON ITEMS 10A, 15A)	A-K	1
-80B	315T3522-48		..FITTING ASSY- (OPT ITEM 80C) (USED ON ITEMS 10B, 10E, 15B, 15E)	A-K	1
-80C	315T3522-36		..FITTING ASSY- (OPT ITEM 80B) (USED ON ITEMS 10B, 10E, 15B, 15E)	A-K	1
-80D	315T3522-56		..FITTING ASSY- (OPT ITEM 80G) (USED ON ITEMS 10D, 10F, 10G, 15D, 15F, 15G)	A-K	1
-80E	315T3522-28		..FITTING ASSY	F,H	1
-80F	315T3522-36		..FITTING ASSY- (USED ON ITEMS 10, 15) (POST SB 767-78-0006)	A-D	1
-80G	315T3522-48		..FITTING ASSY- (OPT ITEM 80D) (USED ON ITEMS 10D, 10F, 10G, 15D, 15F, 15G) ATTACHING PARTS	A-K	1
85	BACB30NM3K7		..BOLT	A-K	12
90	AN960-10L		..WASHER	A-K	12

78-31-22

ILLUSTRATED PARTS LIST
 01.1 Page 1094I
 Nov 01/03

FIG. & ITEM	PART NO.	AIRLINE PART NUMBER	NOMENCLATURE 1234567	EFF CODE	QTY PER ASSY
06-95100	BACN10GW3AS HL13VAZ6-6		..NUT ..BOLT- (V56878) (SPEC BACB30NY6K6) (OPT HL13VAZ6-6 (V73197)) (OPT HL13VAZ6-6 (V92215)) (OPT HL13VAZ6-6 (V97928)) (OPT L801-6K6 (V06725)) (OPT HL13VAZ6-6 (V08524)) (OPT HL13V6 (V06725)) (OPT HL13VAZ6-6 (V60516))	A-K A-K	12 6
105	HL1187DU6		..COLLAR- (V5M902) (SPEC BACC30X6S) (OPT HL87DU6 (V73197)) (OPT HL87DU6 (V92215)) (OPT HL1187DU6 (V56878)) (OPT HL1187DU6 (V92215)) (OPT HL87DU6 (V56878)) (OPT HL1187DU6 (V73197)) -----*-----	A-K	6

78-31-22

 ILLUSTRATED PARTS LIST
 01.1 Page 1094J
 Nov 01/03

315T3500
 315T3001
 315T4026 DASH NUMBERS
 LIMITED

 **BOEING**
 COMPONENT
 MAINTENANCE MANUAL

FIG. & ITEM	PART NO.	AIRLINE PART NUMBER	NOMENCLATURE 1234567	EFF CODE	QTY PER ASSY
06-110	BACB28AK04-038		...BUSHING- (USED ON ITEMS 75, 75B, 75F, 80, 80E)	A-K	1
-110A	KJB229504B		...BUSHING- (V50632) (USED ON ITEMS 75A, 75C, 75D, 75E, 75G, 80A, 80B, 80C, 80D, 80F)	A-K	1
115	BACB28AM06B016A		...BUSHING- (USED ON ITEMS 75, 75B, 75F, 80, 80E)	A-K	1
-115A	BACB28AP06P016		...BUSHING- (USED ON ITEMS 75A, 75C, 75D, 75E, 75G, 80A, 80B, 80C, 80D, 80F)	A-K	1
120	BACB28AP04P016		...BUSHING- (USED ON ITEMS 75, 75A, 75B, 75D, 75E, 75F, 75G, 80, 80A, 80C, 80D, 80E, 80F)	A-K	1
-120A	BACB28AP04P015		...BUSHING- (USED ON ITEMS 75C, 80B)	A-K	1
125	315T3522-30		...FITTING- (USED ON ITEMS 75, 75F)	A-K	1
-125A	315T3522-38		...FITTING- (USED ON ITEMS 75A, 75B, 75D, 75G)	A-K	1
-125B	315T3522-42		...FITTING- (USED ON ITEM 75C)	A-K	1
-125C	315T3522-58		...FITTING- (USED ON ITEMS 75E)	A-K	1
130	315T3522-32		...FITTING- (USED ON ITEMS 80, 80A, 80C, 80E, 80F)	A-K	1

78-31-22

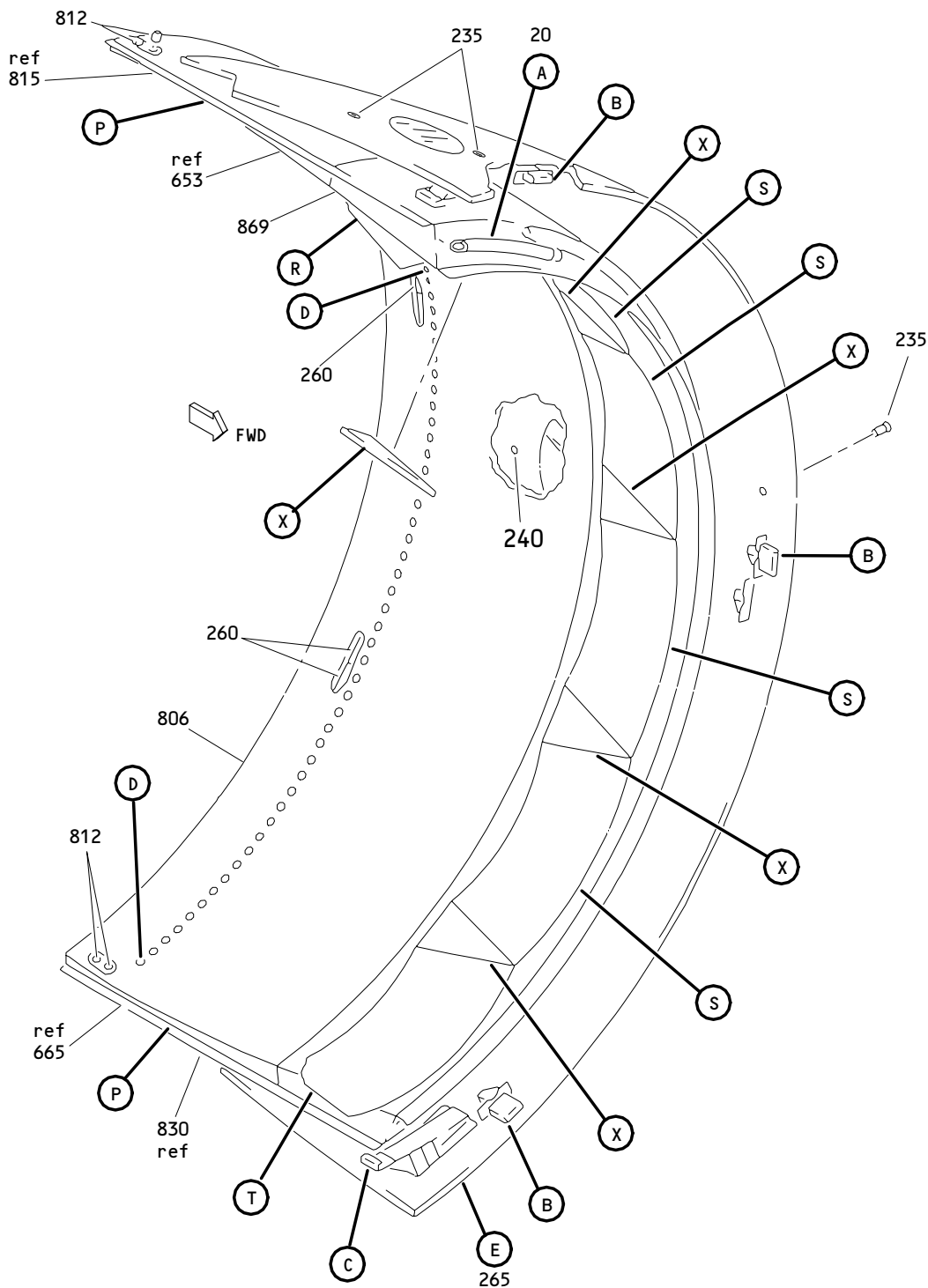
ILLUSTRATED PARTS LIST
 01.1 Page 1094K
 Nov 01/03

FIG. & ITEM	PART NO.	AIRLINE PART NUMBER	NOMENCLATURE	EFF CODE	QTY PER ASSY
			1234567		
06- -130A	315T3522-46		...FITTING- (USED ON ITEM 80B)	A-K	1
-130B	315T3522-60		...FITTING- (USED ON ITEMS 80D) DELETED WHEN 315T3501-31 OR 315T3501-32 BRACKET IS INSTALLED. *(2)BACB30NM3K8 REPLACES BACB30NM3K7 BOLT AT ANTI- ROTATION BRACKET LOCATIONS. *(3)315T3501-33 REPLACES AN960-10L WASHER AT ANTI- ROTATION BRACKET LOCATIONS.	A-K	1

- Item Not Illustrated

78-31-22

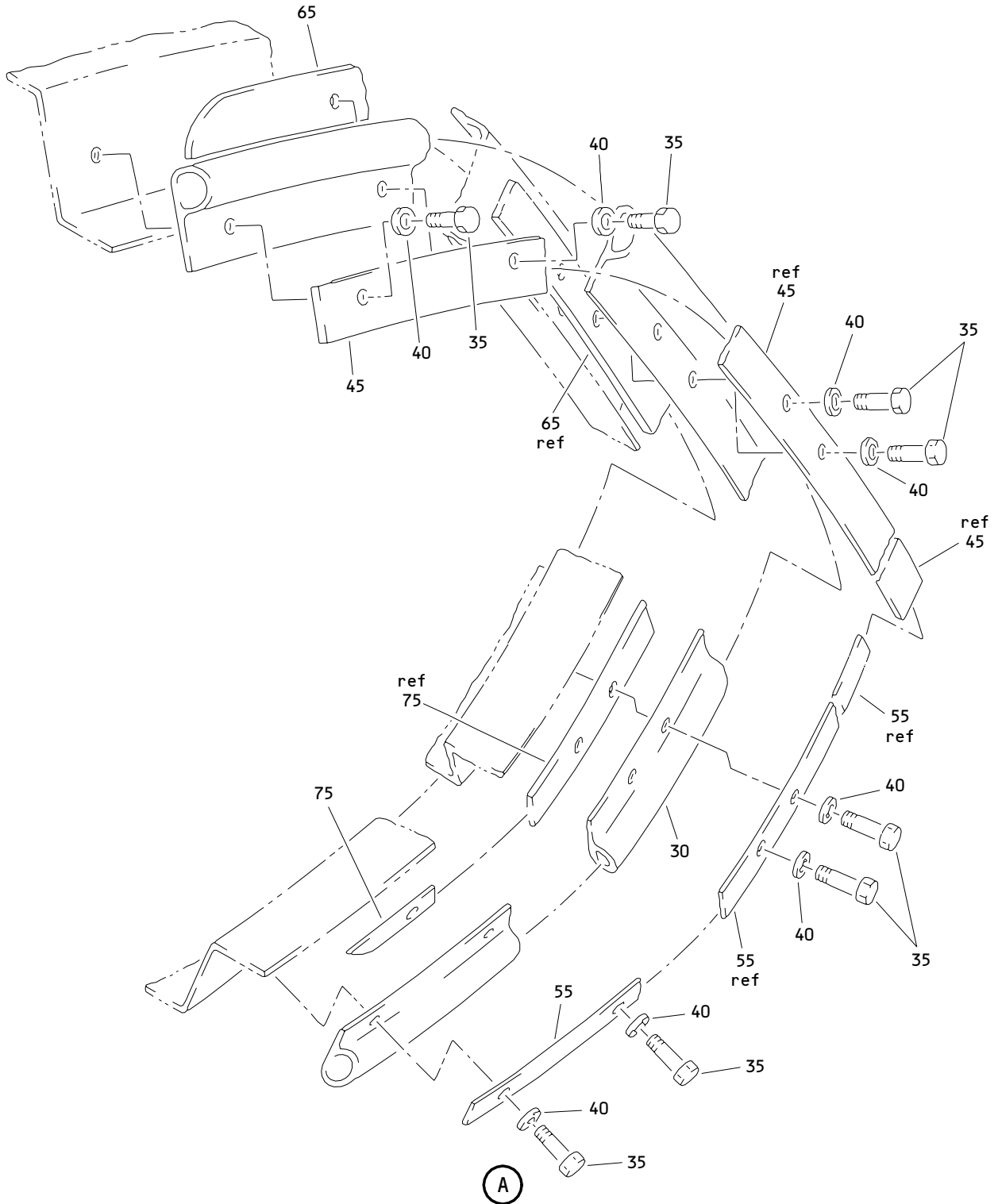
ILLUSTRATED PARTS LIST
 01.1 Page 1094L
 Nov 01/03



Thrust Reverser Sleeve Assembly
 Figure 7 (Sheet 1)

78-31-22

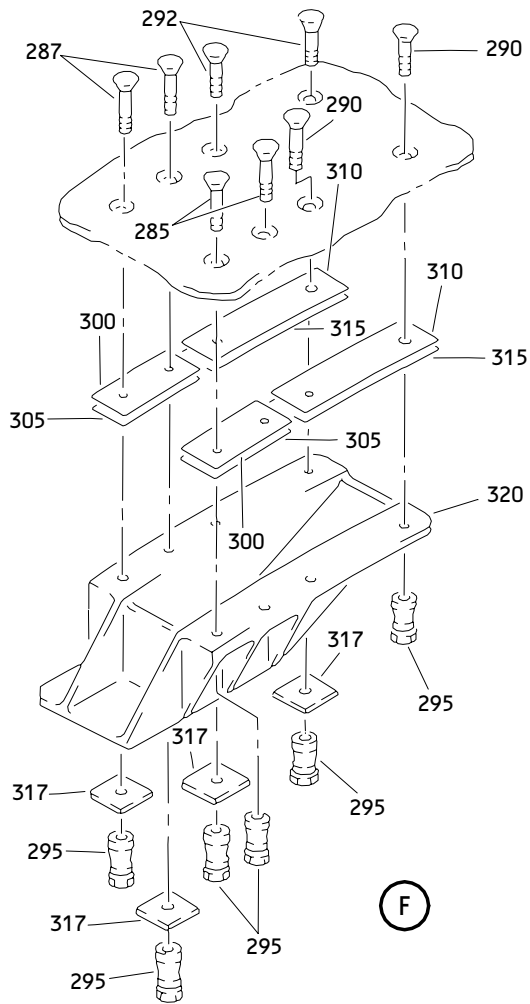
ILLUSTRATED PARTS LIST
 01.1 Page 1094N
 Nov 01/03



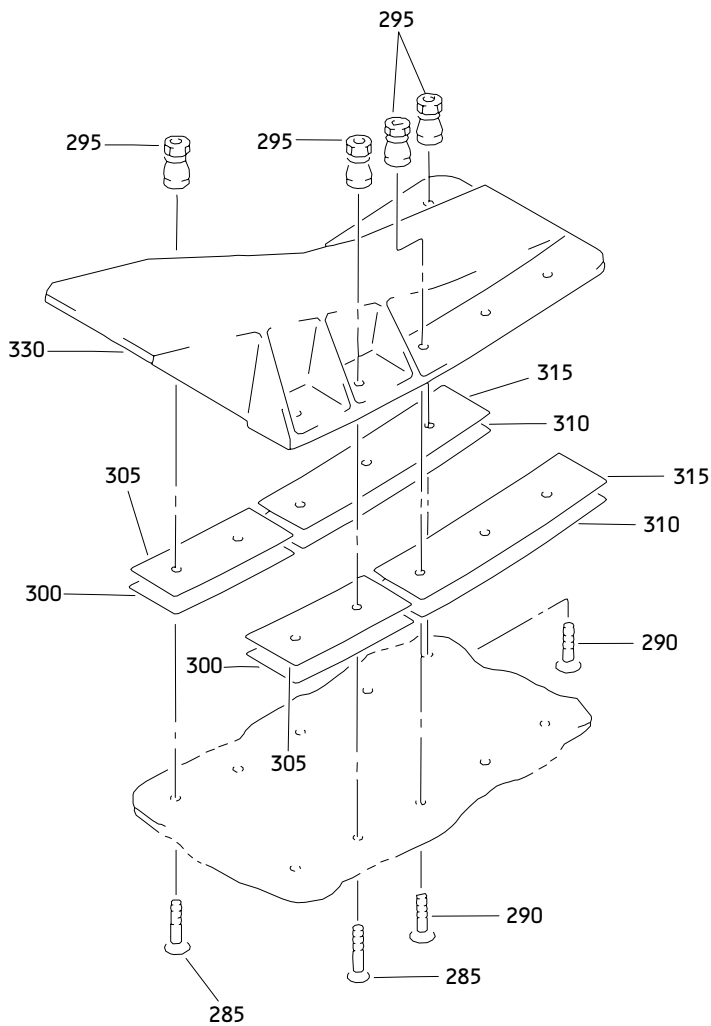
Thrust Reverser Sleeve Assembly
Figure 7 (Sheet 2)

78-31-22

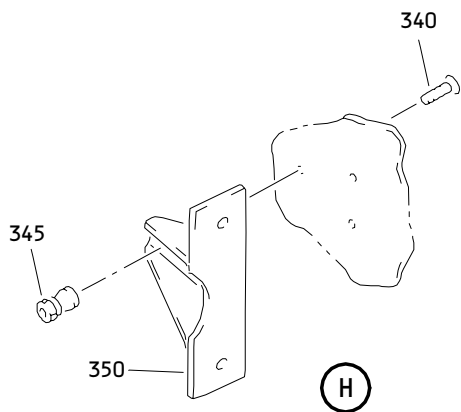
ILLUSTRATED PARTS LIST
01.1 Page 10940
Nov 01/03



(F)



(G)



(H)

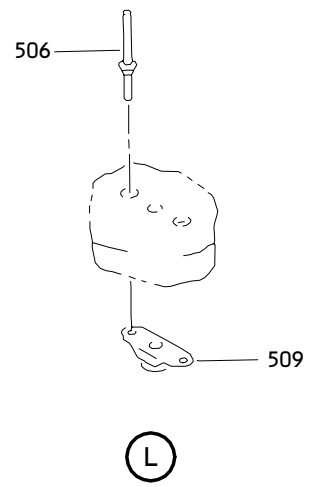
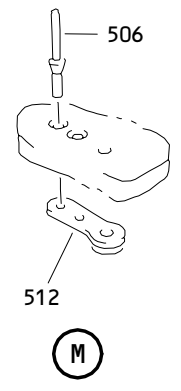
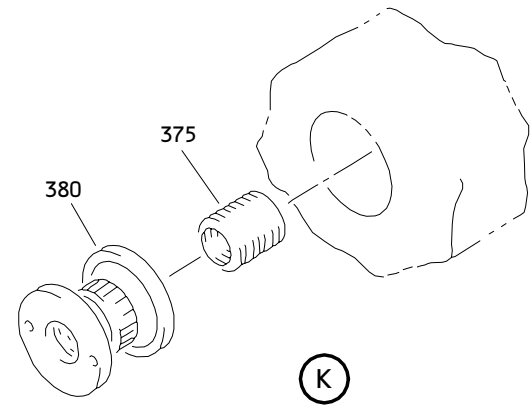
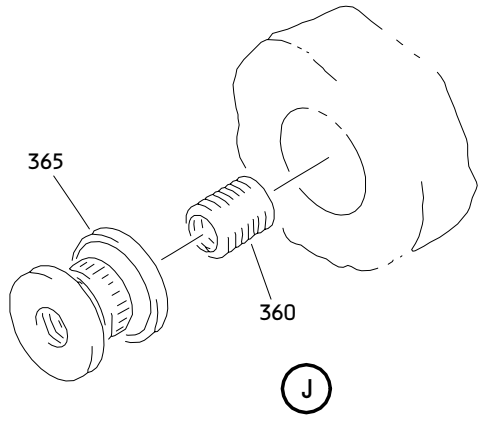
Thrust Reverser Sleeve Assembly
 Figure 7 (Sheet 5)

78-31-22

ILLUSTRATED PARTS LIST
 01.1 Page 1094R
 Nov 01/03

315T3500
315T3001
315T4026 DASH NUMBERS
LIMITED

BOEING
COMPONENT
MAINTENANCE MANUAL

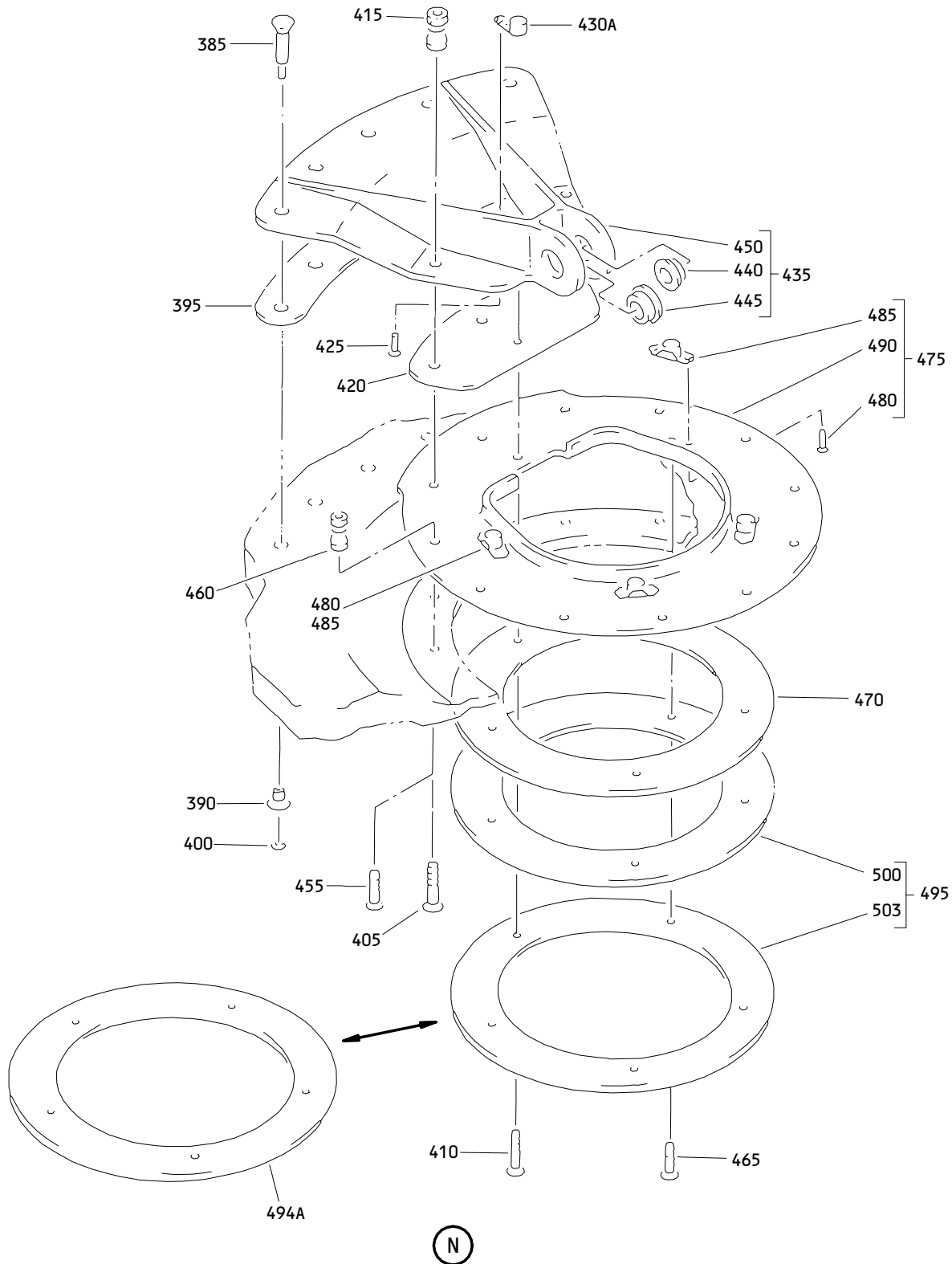


Thrust Reverser Sleeve Assembly
Figure 7 (Sheet 6)

78-31-22

ILLUSTRATED PARTS LIST
01.1 Page 1094S
Nov 01/03

788433

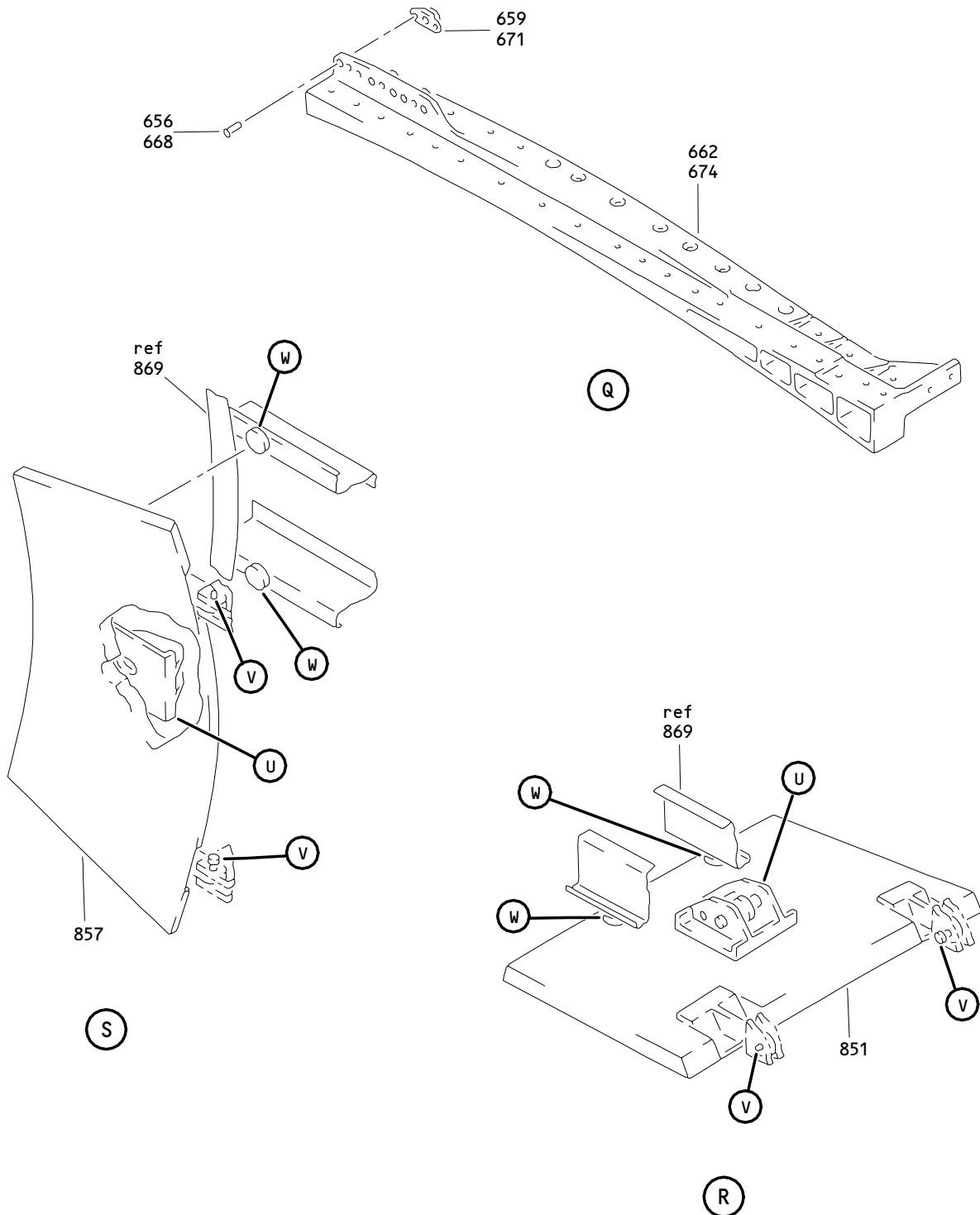


Thrust Reverser Sleeve Assembly
Figure 7 (Sheet 7)

788434

78-31-22

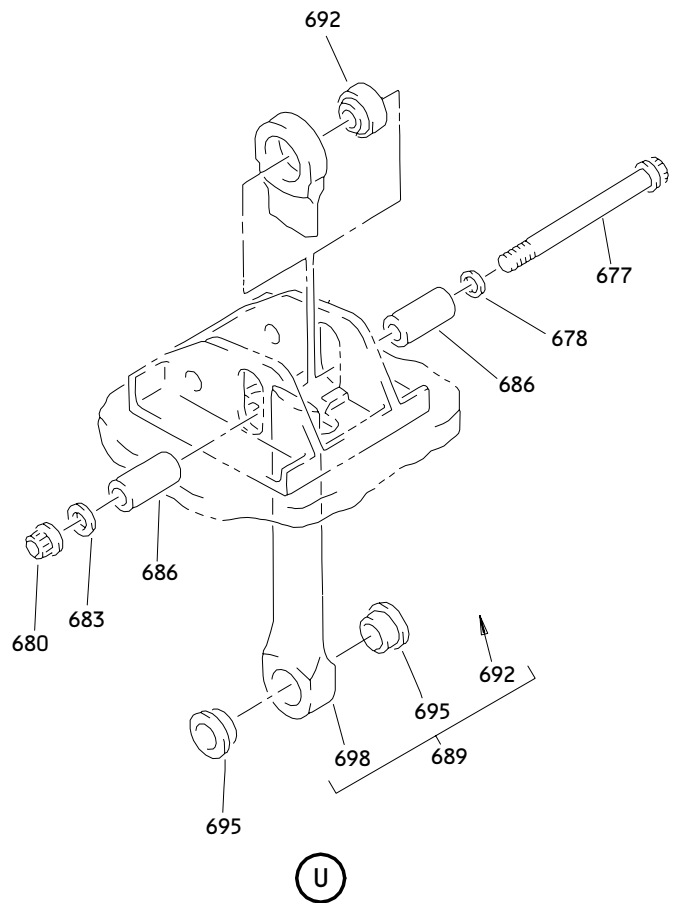
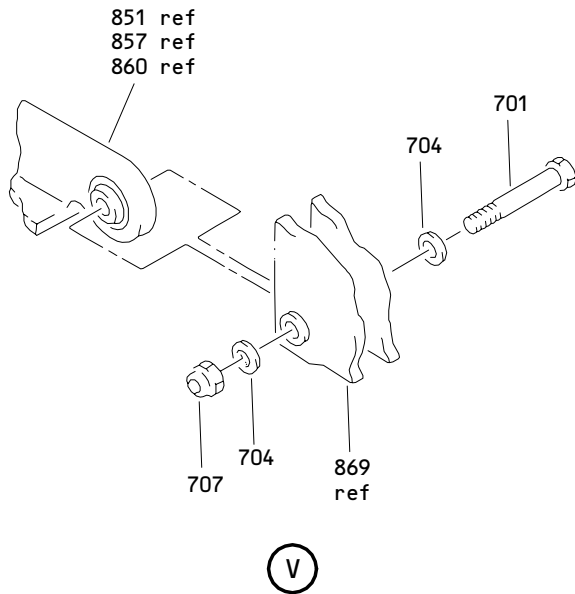
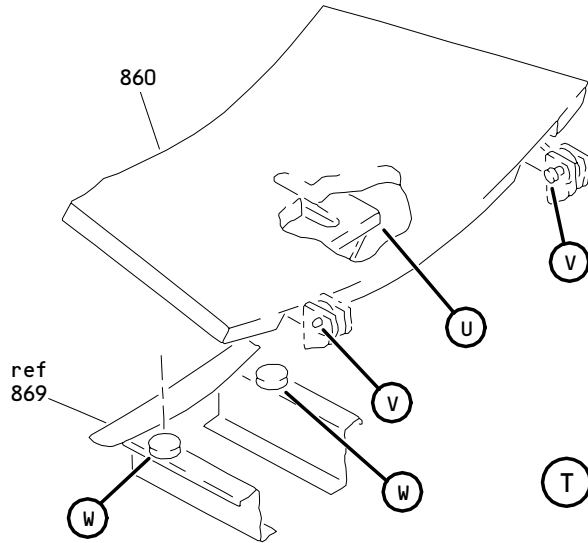
ILLUSTRATED PARTS LIST
 01.1 Page 1094T
 Nov 01/03



Thrust Reverser Sleeve Assembly
 Figure 7 (Sheet 9)

78-31-22

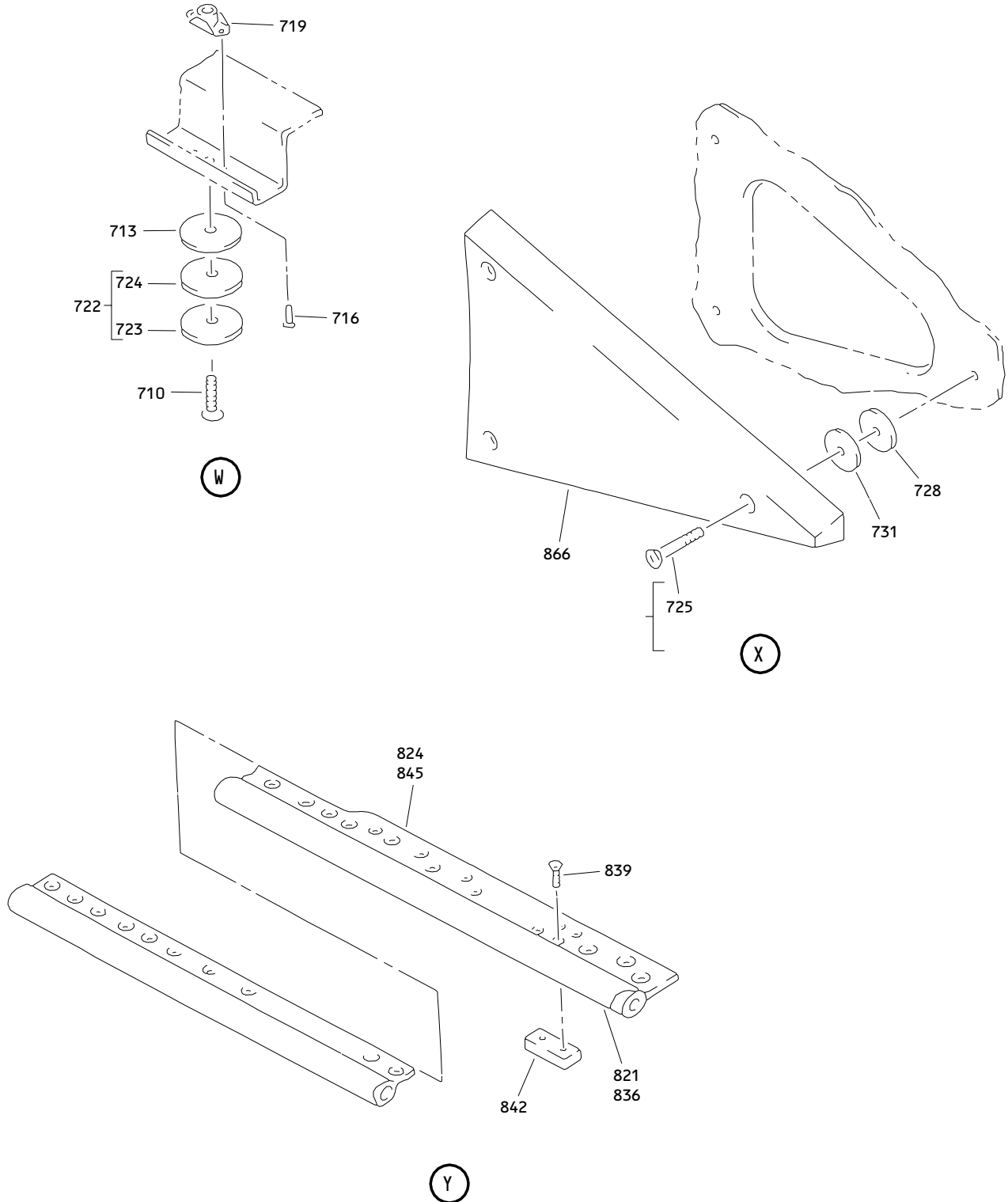
ILLUSTRATED PARTS LIST
 01.1 Page 1094V
 Nov 01/03



Thrust Reverser Sleeve Assembly
 Figure 7 (Sheet 10)

78-31-22

ILLUSTRATED PARTS LIST
 01.1 Page 1094W
 Nov 01/03



Thrust Reverser Sleeve Assembly
Figure 7 (Sheet 11)

78-31-22

ILLUSTRATED PARTS LIST
01.1 Page 1094X
Nov 01/03

315T3500
 315T3001
 315T4026 DASH NUMBERS
 LIMITED

 **BOEING**
 COMPONENT
 MAINTENANCE MANUAL

FIG. & ITEM	PART NO.	AIRLINE PART NUMBER	NOMENCLATURE 1234567	EFF CODE	QTY PER ASSY
07- -1	315T3500-23		SLEEVE ASSY-THRUST REVERSER (PRE SB 767-78A0089)	J	RF
-5	315T3500-24		SLEEVE ASSY-THRUST REVERSER (PRE SB 767-78A0089)	K	RF
-10	315T3500-7001		.COLLECTOR-COMMON PART	J	1
-15	315T3500-7002		.COLLECTOR-COMMON PART	K	1
20	315T3504-3		..SEAL INSTL-DIAPH	J	1
-25	315T3504-4		..SEAL INSTL-DIAPH	K	1
30	315T3504-5		...SEAL- (MFD FROM RUBBER SECTION BAC1530-6 X 129.0 IN.)	J,K	1
35	BACB30NE3-7		...BOLT	J,K	37
40	AN960KD10L		...WASHER	J,K	37
45	315T3589-11		...RETAINER	J	1
-50	315T3589-12		...RETAINER	K	1
55	315T3589-13		...RETAINER	J	1
-60	315T3589-14		...RETAINER	K	1
65	315T3589-15		...SHIM- (LIMITED)	J	1
-65A	315T3589-19		...SHIM- (LIMITED)	J	1
-70	315T3589-16		...SHIM- (LIMITED)	K	1
-70A	315T3589-20		...SHIM- (LIMITED)	K	1
75	315T3589-17		...SHIM- (LIMITED)	J	1
-75A	315T3589-21		...SHIM- (LIMITED)	J	1
-80	315T3589-18		...SHIM- (LIMITED)	K	1
-80A	315T3589-22		...SHIM- (LIMITED)	K	1

78-31-22

ILLUSTRATED PARTS LIST
 01.1 Page 1094Y
 Nov 01/03

FIG. & ITEM	PART NO.	AIRLINE PART NUMBER	NOMENCLATURE 1234567	EFF CODE	QTY PER ASSY
07-85	315T3563-4		..PANEL ASSY-FWD OUTER COWL BUMPER ATTACHING PARTS	J,K	3
90	BACB30NM3C4		..BOLT	J,K	6
95	AN960-10L		..WASHER	J,K	6
100	BRH10C3M		..NUT- (V52828) (SPEC BACN10JC3CM) (OPT T6C1032JM (V11815)) (OPT 97E02 (V80539)) (OPT 109LH9075-3W (V72962)) (OPT VN303D02 (V92215)) (OPT NS202101SE02 (V80539)) (OPT H01-3BAC (V15653)) -----*	J,K	6
105	2ASPPPD613		...PIN- (V17446)	J,K	2
110	2ASPPSDT6		...SLEEVE- (V17446)	J,K	2
115	ASPLC2AC6		...COLLAR-LOCK (V17446)	J,K	2
120	315T3563-5		...CHANNEL	J,K	1
125	315T3563-6		...BUMPER	J,K	1
127	BACS40R10D40F		..SHIM	J,K	6
130	315T3506-12		..SLIDER ASSY-AUX (OPT ITEMS 130A, 130B, 130C) (PRE SB 767-78-0037)	J	1

78-31-22

 ILLUSTRATED PARTS LIST
 01.1 Page 1094Z
 Nov 01/03

315T3500
 315T3001
 315T4026 DASH NUMBERS
 LIMITED

 **BOEING**
 COMPONENT
 MAINTENANCE MANUAL

FIG. & ITEM	PART NO.	AIRLINE PART NUMBER	NOMENCLATURE 1234567	EFF CODE	QTY PER ASSY
07- -130A	315T3506-16		..SLIDER ASSY-AUX (OPT ITEMS 130, 130B, 130C) (PRE SB 767-78-0037)	J	1
-130B	315T3506-26		..SLIDER ASSY-AUX (OPT ITEMS 130, 130A, 130C) (PRE SB 767-78-0037)	J	1
-130C	315T3506-36		..SLIDER ASSY-AUX (315T3506-44 MAY REPLACE 315T3506-36 FOR JT9D AND PW4000 ENGINE THRUST REVERSERS ONLY) (OPT ITEMS 130, 130A, 130B) (PRE SB 767-78-0037)	J	1
-130D	654T0322-13		..SLIDER ASSY-AUX (POST SB 767-78-0037)	J	1
-135	315T3506-11		..SLIDER ASSY-AUX (OPT ITEMS 135A, 135B, 135C) (PRE SB 767-78-0037)	K	1
-135A	315T3506-15		..SLIDER ASSY-AUX (OPT ITEMS 135, 135B, 135C) (PRE SB 767-78-0037)	K	1
-135B	315T3506-25		..SLIDER ASSY-AUX (OPT ITEMS 135, 135A, 135C) (PRE SB 767-78-0037)	K	1
-135C	315T3506-35		..SLIDER ASSY-AUX (315T3506-43 MAY REPLACE 315T3506-35 FOR JT9D AND PW4000 ENGINE THRUST REVERSERS ONLY) (OPT ITEMS 135, 135A, 135B) (PRE SB 767-78-0037)	K	1
-135D	654T0322-12		..SLIDER ASSY-AUX (POST SB 767-78-0037) ATTACHING PARTS	K	1

78-31-22

ILLUSTRATED PARTS LIST
 01.1 Page 1095
 Nov 01/03

FIG. & ITEM	PART NO.	AIRLINE PART NUMBER	NOMENCLATURE 1234567	EFF CODE	QTY PER ASSY
07-					
140	BACB30NM3K6		..BOLT	J,K	2
145	BACB30MS3K8		..BOLT	J,K	2
150	AN960-10L		..WASHER	J,K	4
155	BACN10GW3AS		..NUT- (OPT ITEM 155A)	J,K	4
-155A	BACN10GW3A		..NUT- (OPT ITEM 155) -----*	J,K	4
160	315T3506-3		...TAPE-RULON J (USED ON TIEMS 130, 130A, 130B, 135, 135A, 135B)	J,K	1
-160A	315T3506-34		...TAPE-RULON J (USED ON TIEMS 130C, 135C)	J,K	1
165	315T3506-14		...SLIDER- (USED ON ITEM 130)	J	1
-165A	315T3506-18		...SLIDER- (USED ON ITEM 130A)	J	1
-165B	315T3506-28		...SLIDER- (USED ON ITEM 130B)	J	1
-165C	315T3506-38		...SLIDER- (USED ON ITEM 130C)	J	1
-170	315T3506-13		...SLIDER- (USED ON ITEM 135)	K	1
-170A	315T3506-17		...SLIDER- (USED ON ITEM 135A)	K	1
-170B	315T3506-27		...SLIDER- (USED ON ITEM 135B)	K	1
-170C	315T3506-37		...SLIDER- (USED ON ITEM 135C)	K	1

78-31-22

 ILLUSTRATED PARTS LIST
 01.1 Page 1096
 Nov 01/03

FIG. & ITEM	PART NO.	AIRLINE PART NUMBER	NOMENCLATURE 1234567	EFF CODE	QTY PER ASSY
07-					
175	BACS40R20C30F		..SHIM	J,K	AR
180	315T3506-29		..SLIDER ASSY-AUX (OPT ITEM 180A) (PRE SB 767-78-0037)	J	1
-180A	315T3506-39		..SLIDER ASSY-AUX (OPT ITEM 180) (PRE SB 767-78-0037)	J	1
-180B	654T0322-10		..SLIDER ASSY-AUX (POST SB 767-78-0037)	J	1
-185	315T3506-20		..SLIDER ASSY-AUX (OPT ITEM 185A) (PRE SB 767-78-0037)	K	1
-185A	315T3506-40		..SLIDER ASSY-AUX (OPT ITEM 185) (PRE SB 767-78-0037)	K	1
-185B	654T0322-11		..SLIDER ASSY-AUX (POST SB 767-78-0037) ATTACHING PARTS	K	1
190	BACB30NM3K6		..BOLT	J,K	2
195	BACB30MS3K8		..BOLT	J,K	4
200	AN960-10L		..WASHER	J,K	6
205	BACN10GW3AS		..NUT- (OPT ITEM 205A)	J,K	6
-205A	BACN10GW3A		..NUT- (OPT ITEM 205) -----*-----	J,K	6
210	315T3506-33		...TAPE-RULON J (USED ON ITEM 185A)	J,K	1
-215	315T3506-23		...TAPE-RULON J (USED ON ITEM 185)	K	1
220	315T3506-31		...SLIDER- (USED ON ITEM 180)	J	1
-220A	315T3506-41		...SLIDER- (USED ON ITEM 180A)	J	1
-225	315T3506-22		...SLIDER- (USED ON ITEM 185)	K	1
-225A	315T3506-42		...SLIDER- (USED ON ITEM 185A)	K	1
230	BACS40R20C30F		..SHIM	J,K	AR
235	BACB30VF7K2		..BOLT- (OPT ITEM 235A)	J,K	3
-235A	AIC1195-7-2		..BOLT- (V06725) (OPT ITEM 235)	J,K	3

78-31-22

FIG. & ITEM	PART NO.	AIRLINE PART NUMBER	NOMENCLATURE 1234567	EFF CODE	QTY PER ASSY
07-240	AIC1195-8-2		..BOLT- (V06725) (OPT ITEM 240A)	J,K	1
-240A	BACB30VF8K2		..BOLT- (OPT ITEM 240)	J,K	1
245	ASPF8E8-20AC		..PIN- (V17446)	J,K	79
250	ASPFSDT8		..SLEEVE- (V17446)	J,K	79
255	ASPLC2AC8		..COLLAR-LOCKING (V17446)	J,K	79
260	BACS40R12B480F		..SHIM	J,K	3
265	315T3562-9		..PANEL ASSY-OUTER COWL	J	1
-270	315T3562-10		..PANEL ASSY-OUTER COWL	K	1
-275	315T3562-5001		...PANEL ASSY- (REPLD BY ITEMS 275A, 275B, 275C, 275D, 275E)	J	1
-275A	315T3562-5003		...PANEL ASSY- (REPLS ITEM 275) (REPLD BY ITEMS 275B, 275C, 275D, 275E)	J	1
-275B	315T3562-5005		...PANEL ASSY- (REPLS ITEMS 275, 275A) (REPLD BY ITEMS 275C, 275D, 275E)	J	1
-275C	315T3562-5013		...PANEL ASSY- (REPLS ITEMS 275, 275A, 275B) (REPLD BY ITEMS 275D, 275E)	J	1
-275D	315T3562-5015		...PANEL ASSY- (REPLS ITEMS 275, 275A, 275B, 275C) (REPLD BY ITEM 275E)	J	1
-275E	315T3562-5017		...PANEL ASSY- (REPLS ITEMS 275, 275A, 275B, 275C, 275D)	J	1

78-31-22

 ILLUSTRATED PARTS LIST
 01.1 Page 1096B
 Nov 01/03

FIG. & ITEM	PART NO.	AIRLINE PART NUMBER	NOMENCLATURE 1234567	EFF CODE	QTY PER ASSY
07- -280	315T3562-5002		...PANEL ASSY- (REPLD BY ITEMS 280A, 280B, 280C, 280D, 280E)	K	1
-280A	315T3562-5004		...PANEL ASSY- (REPLS ITEM 280) (REPLD BY ITEMS 280B, 280C, 280D, 280E)	K	1
-280B	315T3562-5006		...PANEL ASSY- (REPLS ITEMS 280, 280A) (REPLD BY ITEMS 280C, 280D, 280E)	K	1
-280C	315T3562-5014		...PANEL ASSY- (REPLS ITEMS 280, 280A, 280B) (REPLD BY ITEMS 280D, 280E)	K	1
-280D	315T3562-5016		...PANEL ASSY- (REPLS ITEMS 280, 280A, 280B, 280C) (REPLD BY ITEM 280E)	K	1
-280E	315T3562-5018		...PANEL ASSY- (REPLS ITEMS 280, 280A, 280B, 280C, 280D)	K	1
285	HL523AZ8-18	BOLT- (V56878) (SPEC BACB30NZ8K18) (OPT HL523AZ8-18 (V0PTK6)) (OPT L804-8K18 (V06725)) (OPT HL523AZ8-18 (V92215)) (OPT HL523AZ8-18 (V73197)) (OPT HL523AZ8-18 (V97928)) (OPT HL523AZ8-18 (V60516)) (OPT HL523AZ8-18 (V06725))	J,K	6

78-31-22

FIG. & ITEM	PART NO.	AIRLINE PART NUMBER	NOMENCLATURE 1234567	EFF CODE	QTY PER ASSY
07-287	HL523AZ8-19	BOLT- (V56878) (SPEC BACB30NZ8K19) (OPT HL523AZ8-19 (V92215)) (OPT L804-8K19 (V06725)) (OPT HL523AZ8-19 (V60516)) (OPT HL523AZ8-19 (VOPTK6)) (OPT HL523AZ8-19 (V73197)) (OPT HL523AZ8-19 (V97928)) (OPT HL523AZ8-19 (V06725)) (USED ON ITEMS 275C, 275D, 275E, 280C, 280D, 280E)	J,K	2
-287A	HL523AZ8-18	BOLT- (V56878) (SPEC BACB30NZ8K18) (OPT HL523AZ8-18 (VOPTK6)) (OPT L804-8K18 (V06725)) (OPT HL523AZ8-18 (V92215)) (OPT HL523AZ8-18 (V73197)) (OPT HL523AZ8-18 (V97928)) (OPT HL523AZ8-18 (V60516)) (OPT HL523AZ8-18 (V06725)) (USED ON ITEMS 275, 275A, 275B, 280, 280A, 280B)	J,K	2

78-31-22

 ILLUSTRATED PARTS LIST
 01.1 Page 1096D
 Nov 01/03

315T3500
 315T3001
 315T4026 DASH NUMBERS
 LIMITED

 **BOEING**
 COMPONENT
 MAINTENANCE MANUAL

FIG. & ITEM	PART NO.	AIRLINE PART NUMBER	NOMENCLATURE 1234567	EFF CODE	QTY PER ASSY
07-290	HL523AZ8-16	BOLT- (V56878) (SPEC BACB30NZ8K16) (OPT HL523AZ8-16 (V0PTK6)) (OPT L804-8K16 (V06725)) (OPT HL523AZ8-16 (V92215)) (OPT HL523AZ8-16 (V73197)) (OPT HL523AZ8-16 (V97928)) (OPT HL523AZ8-16 (V60516)) (OPT HL523AZ8-16 (V06725))	J,K	8
292	HL523AZ8-17	BOLT- (V56878) (SPEC BACB30NZ8K17) (OPT HL523AZ8-17 (V92215)) (OPT L804-8K17 (V06725)) (OPT HL523-17 (V06725)) (OPT HL523AZ8-17 (V73197)) (OPT HL523AZ8-17 (V97928)) (USED ON ITEMS 275C, 275D, 275E, 280C, 280D, 280E)	J,K	2

78-31-22

ILLUSTRATED PARTS LIST
 01.1 Page 1096E
 Nov 01/03

FIG. & ITEM	PART NO.	AIRLINE PART NUMBER	NOMENCLATURE 1234567	EFF CODE	QTY PER ASSY
07- -292A	HL523AZ8-16	BOLT- (V56878) (SPEC BACB30NZ8K16) (OPT HL523AZ8-16 (V0PTK6)) (OPT L804-8K16 (V06725)) (OPT HL523AZ8-16 (V92215)) (OPT HL523AZ8-16 (V73197)) (OPT HL523AZ8-16 (V97928)) (OPT HL523AZ8-16 (V60516)) (OPT HL523AZ8-16 (V06725)) (USED ON ITEMS 275, 275A, 275B, 280, 280A, 280B)	J,K	2
295	HL79-8	COLLAR- (V5M902) (SPEC BACC30M8) (OPT HL79-8 (V73197)) (OPT HL79-8 (V92215)) (OPT 66014-8 (V56878)) (OPT HL79-8 (V56878))	J,K	18

78-31-22

 ILLUSTRATED PARTS LIST
 01.1 Page 1096F
 Nov 01/03

315T3500
 315T3001
 315T4026 DASH NUMBERS
 LIMITED

 **BOEING**
 COMPONENT
 MAINTENANCE MANUAL

FIG. & ITEM	PART NO.	AIRLINE PART NUMBER	NOMENCLATURE 1234567	EFF CODE	QTY PER ASSY
07-					
300	BACS40R11A27F	SHIM	J,K	4
305	BACS40R11B27F	SHIM	J,K	4
310	BACS40R11A42F	SHIM	J,K	4
315	BACS40R11B42F	SHIM	J,K	4
317	315T3562-15	FILLER-RADIUS (USED ON ITEMS 275C, 275D, 275E, 280C, 280D, 280E)	J,K	4
320	315T3519-2	FITTING-AUX SLIDER UPR ATTACHMENT	J	1
-325	315T3519-1	FITTING-AUX SLIDER UPR ATTACHMENT	K	1
330	315T3520-6	FITTING-AUX SLIDER LWR ATTACHMENT	J	1
-335	315T3520-5	FITTING-AUX SLIDER LWR ATTACHMENT	K	1
340	HL523AZ5-14	BOLT- (V56878) (SPEC BACB30NZ5K14) (OPT HL523AZ5-14 (V92215)) (OPT L804-5K14 (V06725)) (OPT HL523AZ5-14 (V0PTK6)) (OPT HL523AZ5-14 (V73197)) (OPT HL523AZ5-14 (V73197)) (OPT HL523AZ5-14 (V60516)) (OPT HL523AZ5-14 (V06725))	J,K	12

78-31-22

ILLUSTRATED PARTS LIST
 01.1 Page 1096G
 Nov 01/03

FIG. & ITEM	PART NO.	AIRLINE PART NUMBER	NOMENCLATURE 1234567	EFF CODE	QTY PER ASSY
07-345	HL79-5	COLLAR- (V5M902) (SPEC BACC30M5) (OPT HL70-5 (V73197)) (OPT HL70-5 (V92215)) (OPT 66014-5 (V56878)) (OPT HL70-5 (V56878))	J,K	12
350	315T3567-1	FITTING-BUMPER SPRT (OPT ITEM 350A) (USED ON ITEMS 275, 275A, 280, 280A)	J,K	4
-350A	315T3567-3	FITTING-BUMPER SPRT (OPT ITEM 350) (USED ON ITEMS 275, 275A, 280, 280A)	J,K	4
-350B	315T3567-3	FITTING-BUMPER SPRT (USED ON ITEMS 275B, 275C, 275D, 275E, 280B, 280C, 280D, 280E)	J,K	4
355	315T3574-1	INSERT ASSY- DEACTIVATION (PRE SB 767-78A0089)	J,K	1
360	MS21209F8-10	INSERT	J,K	1
365	315T3574-2	INSERT	J,K	1
366	315T4027-1	INSERT ASSY- (POST SB 767-78A0089)	J,K	1
367	315T4027-4	FLANGE-INNER	J,K	1
368	315T4027-2	FLANGE ASSY-OUTER	J,K	1
369	MS21209F8-10L	INSERT- (OPT ITEMS 369A, 369B)	J,K	1

78-31-22

 ILLUSTRATED PARTS LIST
 01.1 Page 1096H
 Nov 01/03

FIG. & ITEM	PART NO.	AIRLINE PART NUMBER	NOMENCLATURE 1234567	EFF CODE	QTY PER ASSY
07- -369A	MS21209F8-10	INSERT- (OPT ITEMS 369, 369B)	J,K	1
-369B	MS21209F8-10P	INSERT- (OPT ITEMS 369, 369A)	J,K	1
369M	315T4027-3	FLANGE	J,K	1
370	315T3565-1	INSERT ASSY- DEACTIVATION	J,K	3
375	MS21209F7-10P	INSERT	J,K	1
380	315T3565-2	INSERT	J,K	1
385	ASPF FEU8-18AC	PIN- (V17446) (OPT ITEM 385A) (USED ON ITEMS 275, 275A 275B, 280, 280A, 280B)	J,K	15
-385A	ASPF FDT8-18	PIN- (V17446) (OPT ITEM 385) (USED ON ITEMS 275, 275A 275B, 280, 280A, 280B)	J,K	15
-385B	ASPF FEU8-16AC	PIN- (V17446) (OPT ITEM 385C) (USED ON ITEMS 275C, 275D, 275E, 280C, 280D, 280E)	J,K	15
-385C	ASPF FDT8-16	PIN- (V17446) (OPT ITEM 385B) (USED ON ITEMS 275C, 275D, 275E 280C, 280D, 280E)	J,K	15

78-31-22

FIG. & ITEM	PART NO.	AIRLINE PART NUMBER	NOMENCLATURE 1234567	EFF CODE	QTY PER ASSY
07-390	ASPFSDT8	SLEEVE- (V17446)	J,K	15
395	315T3562-4	SHIM	J,K	3
400	ASPLC2AC8	COLLAR-LOCKING (V17446)	J,K	15
405	HL523AZ8-7	BOLT- (V56878) (SPEC BACB30NZ8K7) (OPT HL523AZ8-7 (VOPTK6)) (OPT L804-8K7 (V06725)) (OPT HL523AZ8-7 (V92215)) (OPT HL523AZ8-7 (V73197)) (OPT HL523AZ8-7 (V97928)) (OPT HL523AZ8-7 (V60516)) (OPT HL523AZ8-7 (V06725))	J,K	9
410	BACB30LR4-6	BOLT- (USED ON ITEMS 275, 275A, 275B, 275C, 275D, 280, 280A, 280B, 280C, 280D)	J,K	3
-410A	BACB30NN4K6	BOLT- (USED ON ITEMS 275E, 280E)	J,K	3

78-31-22

 ILLUSTRATED PARTS LIST
 01.1 Page 1096J
 Nov 01/03

315T3500
 315T3001
 315T4026 DASH NUMBERS
 LIMITED

 **BOEING**
 COMPONENT
 MAINTENANCE MANUAL

FIG. & ITEM	PART NO.	AIRLINE PART NUMBER	NOMENCLATURE 1234567	EFF CODE	QTY PER ASSY
07-415	HL79-8	COLLAR- (V5M902) (SPEC BACC30M8) (OPT HL79-8 (V73197)) (OPT HL79-8 (V92215)) (OPT 66014-8 (V56878)) (OPT HL79-8 (V56878))	J,K	9
420	315T3562-3	SHIM	J,K	3
425	BACR15BA3AD6	RIVET	J,K	6
430	BR1000C4MK		DELETED		
430A	BRF100C4M	NUTPLATE- (V52828) (SPEC BACN10KB4CFM) (OPT F2001-4 (V15653)) (OPT T8113C428C (V11815)) (OPT VN151D1-048 (V92215)) (OPT 109F9207-4 (V72962)) (OPT F2001-4 (V15653))	J,K	3
435	315T3561-4	FITTING ASSY-ACTR ATTACHMENT (USED ON ITEMS 275, 280)	J,K	3
-435A	315T3561-6	FITTING ASSY-SLEEVE ACTR ROD ATTACHMENT (OPT ITEM 435B) (USED ON ITEMS 275A, 275B, 275C, 275D, 275E, 280A, 280B, 280C, 280D, 280E)	J,K	3

78-31-22

ILLUSTRATED PARTS LIST
 01.1 Page 1096K
 Nov 01/03

FIG. & ITEM	PART NO.	AIRLINE PART NUMBER	NOMENCLATURE 1234567	EFF CODE	QTY PER ASSY
07- -435B	315T3561-8	FITTING ASSY-SLEEVE ACTR ROD ATTACHMENT (OPT ITEM 435A) (USED ON ITEMS 275A, 275B, 275C, 275D, 275E, 280A, 280B, 280C, 280D, 280E)	J,K	3
440	BACB28AP05P022	BUSHING	J,K	1
445	BACB28AM08B022A	BUSHING- (USED ON ITEM 435)	J,K	1
-445A	BACB28AM07B022A	BUSHING- (USED ON ITEMS 435A, 435B)	J,K	1
450	315T3561-5	FITTING- (USED ON ITEM 435)	J,K	1
-450A	315T3561-7	FITTING- (USED ON ITEM 435A)	J,K	1
-450B	315T3561-9	FITTING- (USED ON ITEM 435B)	J,K	1
455	HL523AZ6-4	BOLT- (V56878) (SPEC BACB30NZ6K4) (OPT HL523AZ6-4 (V06725)) (OPT L804-6K4 (V06725)) (OPT HL523AZ6-4 (V97928)) (OPT HL523AZ6-4 (V92215)) (OPT HL523AZ6-4 (V0PTK6)) (OPT HL523AZ6-4 (V60516)) (OPT HL523AZ6-4 (V73197))	J,K	27

78-31-22

 ILLUSTRATED PARTS LIST
 01.1 Page 1096L
 Nov 01/03

FIG. & ITEM	PART NO.	AIRLINE PART NUMBER	NOMENCLATURE 1234567	EFF CODE	QTY PER ASSY
07-460	HL79-6	COLLAR- (V5M902) (SPEC BACC30M6) (OPT HL79-6 (V73197)) (OPT HL79-6 (V92215)) (OPT 66014-6 (V56878)) (OPT HL79-6 (V56878))	J,K	27
465	BACB30LR4-4	BOLT- (USED ON ITEMS 275, 275A, 275B, 275C, 275D, 280, 280A, 280B, 280C, 280D)	J,K	12
-465A	BACB30NN4K4	BOLT- (USED ON ITEMS 275E, 280E)	J,K	12
470	315T3562-5	SHIM	J,K	3
475	315T3566-1	DOUBLER ASSY-ACTR ACCESS	J,K	3
480	BACR15BA3AD4	RIVET	J,K	8
485	BRF200C4M	NUTPLATE- (V52828) (SPEC BACN10JR4CFM) (OPT F5001-4BAC (V15653)) (OPT NS103203SE048 (V80539)) (OPT T8092C428 (V11815)) (OPT VN152D1-048 (V92215)) (OPT 109F9201-4 (V72962))	J,K	4

78-31-22

FIG. & ITEM	PART NO.	AIRLINE PART NUMBER	NOMENCLATURE 1234567	EFF CODE	QTY PER ASSY
07-					
490	315T3566-2	DOUBLER	J,K	1
494	315T3575-5		DELETED		
494A	315T3575-6	PANEL-ACTR ACCESS (USED ON ITEMS 275E, 280E)	J,K	3
495	315T3575-1	PANEL ASSY-ACTR ACCESS (USED ON ITEMS 275, 275A, 275B, 275C, 275D, 280, 280A, 280B, 280C, 280D)	J,K	3
500	315T3575-3	DOUBLER	J,K	1
503	315T3575-2	PANEL	J,K	1
506	AF5141-3-5	RIVET- (V53551) (SPEC BACR15DR3A5) (OPT RV541A3-5 (V98996)) (OPT CCR264CS3-5TT (V11815))	J,K	26
509	BRF200C4M	NUTPLATE- (V52828) (SPEC BACN10JR4CFM) (OPT F5001-4BAC (V15653)) (OPT NS103203SE048 (V80539)) (OPT T8092C428 (V11815)) (OPT VN152D1-048 (V92215)) (OPT 109F9201-4 (V72962))	J,K	11

78-31-22

 ILLUSTRATED PARTS LIST
 01.1 Page 1096N
 Nov 01/03

FIG. & ITEM	PART NO.	AIRLINE PART NUMBER	NOMENCLATURE 1234567	EFF CODE	QTY PER ASSY
07-512	BRF100C4M	NUTPLATE- (V52828) (SPEC BACN10KB4CFM) (OPT F2001-4 (V15653)) (OPT T8113C428C (V11815)) (OPT VN151D1-048 (V92215)) (OPT 109F9207-4 (V72962)) (OPT F2001-4 (V15653))	J,K	2
515	315T3564-12	BOND ASSY-PNL (USED ON ITEM 275)	J	1
-515A	315T3564-15	BOND ASSY-PNL (USED ON ITEM 275A)	J	1
-515B	315T3564-25	BOND ASSY-PNL (USED ON ITEMS 275B, 275C)	J	1
-515C	315T3564-29	BOND ASSY-PNL (USED ON ITEMS 275D, 275E)	J	1
-518	315T3564-13	BOND ASSY-PNL (USED ON ITEM 280)	K	1
-518A	315T3564-16	BOND ASSY-PNL (USED ON ITEM 280A)	K	1
-518B	315T3564-26	BOND ASSY-PNL (USED ON ITEMS 280B, 280C)	K	1
-518C	315T3564-30	BOND ASSY-PNL (USED ON ITEMS 280D, 280E)	K	1

78-31-22

ILLUSTRATED PARTS LIST
 01.1 Page 10960
 Nov 01/03


BOEING
 COMPONENT
 MAINTENANCE MANUAL

 315T3500
 315T3001
 315T4026 DASH NUMBERS
 LIMITED

FIG. & ITEM	PART NO.	AIRLINE PART NUMBER	NOMENCLATURE 1234567	EFF CODE	QTY PER ASSY
07-521	ASPF8DT8-13		..PIN- (V17446)	J,K	6
524	ASPF8DT8-14		..PIN- (V17446)	J,K	4
527	ASPF8DT8-15		..PIN- (V17446)	J,K	2
530	ASPF8DT8-16		..PIN- (V17446)	J,K	4
533	ASPF8DT8-17		..PIN- (V17446)	J,K	20
536	ASPF8DT8-18		..PIN- (V17446)	J,K	2
539	ASPF8DT8-19		..PIN- (V17446)	J,K	4
542	ASPF8DT8-20		..PIN- (V17446)	J,K	2
545	ASPF8DT8		..SLEEVE- (V17446)	J,K	44
548	ASPLC2AC8		..COLLAR-LOCKING (V17446)	J,K	44
551	BACB30NU4K5		..BOLT	J,K	14
554	AN96OPD416		..WASHER	J,K	14
557	BRH10C4M		..NUT- (V52828) (SPEC BACN10JC4CM) (OPT T6C428JM (V11815)) (OPT 97E48 (V80539)) (OPT 109LH9075-4W (V72962)) (OPT VN303D048 (V92215)) (OPT 9NS202101SE048 (VA8053)) (OPT H01-4BAC (V15653))	J,K	14

78-31-22

 ILLUSTRATED PARTS LIST
 01.1 Page 1096P
 Nov 01/03

FIG. & ITEM	PART NO.	AIRLINE PART NUMBER	NOMENCLATURE 1234567	EFF CODE	QTY PER ASSY
07- 560 563	BACS40R14B270F HL523AZ8-11		..SHIM ..BOLT- (V56878) (SPEC BACB30NZ8K11) (OPT HL523AZ8-11 (V92215)) (OPT L804-8K11 (V06725)) (OPT HL523AZ8-11 (V0PTK6)) (OPT HL523AZ8-11 (V73197)) (OPT HL523AZ8-11 (V73197)) (OPT HL523AZ8-11 (V60516)) (OPT HL523AZ8-11 (V06725))	J,K J,K	AR 2
566	HL523AZ8-15		..BOLT- (V73197) (SPEC BACB30NZ8K15) (OPT L804-8K15 (V06725)) (OPT HL523AZ8-15 (V56878)) (OPT HL523AZ8-15 (V92215)) (OPT HL523AZ8-15 (V97928)) (OPT HL523AZ8-15 (V0PTK6)) (OPT HL523AZ8-15 (V60516)) (OPT HL523AZ8-15 (V06725))	J,K	2

78-31-22

FIG. & ITEM	PART NO.	AIRLINE PART NUMBER	NOMENCLATURE 1234567	EFF CODE	QTY PER ASSY
07-569	HL523AZ8-16		..BOLT- (V56878) (SPEC BACB30NZ8K16) (OPT HL523AZ8-16 (V0PTK6)) (OPT L804-8K16 (V06725)) (OPT HL523AZ8-16 (V92215)) (OPT HL523AZ8-16 (V73197)) (OPT HL523AZ8-16 (V97928)) (OPT HL523AZ8-16 (V60516)) (OPT HL523AZ8-16 (V06725))	J,K	2
572	HL523AZ8-17		..BOLT- (V56878) (SPEC BACB30NZ8K17) (OPT HL523AZ8-17 (V92215)) (OPT L804-8K17 (V06725)) (OPT HL523-17 (V06725)) (OPT HL523AZ8-17 (V73197)) (OPT HL523AZ8-17 (V97928))	J,K	12
575	HL79-8		..COLLAR- (V5M902) (SPEC BACC30M8) (OPT HL79-8 (V73197)) (OPT HL79-8 (V92215)) (OPT 66014-8 (V56878)) (OPT HL79-8 (V56878))	J,K	14

78-31-22

 ILLUSTRATED PARTS LIST
 01.1 Page 1096R
 Nov 01/03

315T3500
 315T3001
 315T4026 DASH NUMBERS
 LIMITED

 **BOEING**
 COMPONENT
 MAINTENANCE MANUAL

FIG. & ITEM	PART NO.	AIRLINE PART NUMBER	NOMENCLATURE 1234567	EFF CODE	QTY PER ASSY
07-578	BRH10C08M		..NUT- (V52828) (SPEC BACN10JC08CM) (OPT T6C832JM (V11815)) (OPT 97E82 (V80539)) (OPT 109LH9075-82W (V72962)) (OPT VN303D82 (V92215)) (OPT NS202101SE82 (V80539)) (OPT H01-08BAC (V15653))	J,K	4
581	315T3500-9		..FILLER-TAPERED	J	4
-584	315T3500-10		..FILLER-TAPERED	K	4
587	BACS40R06C06F		..SHIM	J,K	2
590	315T3500-3		..FILLER-RADIUS	J,K	2
593	315T3500-11		..PLUG	J,K	2
596	HL11VAZ8-7		..BOLT- (V56878) (SPEC BACB30NW8K7) (OPT B30NW8K7 (V97928)) (OPT HL11VAZ8-7 (V73197)) (OPT HL11VAZ8-7 (V92215)) (OPT HL11VAZ8-7 (V97928)) (OPT L803-8K7 (V06725)) (OPT HL11VAZ8-7 (V0PTK6)) (OPT HL11VAZ8-7 (V60516))	J,K	6

78-31-22

ILLUSTRATED PARTS LIST
 01.1 Page 1096S
 Nov 01/03

FIG. & ITEM	PART NO.	AIRLINE PART NUMBER	NOMENCLATURE 1234567	EFF CODE	QTY PER ASSY
07-599	HL11VAZ8-8		..BOLT- (V56878) (SPEC BACB30NW8K8) (OPT B30NW8K8 (V97928)) (OPT HL11VAZ8-8 (V73197)) (OPT HL11VAZ8-8 (V92215)) (OPT HL11VAZ8-8 (V97928)) (OPT L803-8K8 (V06725)) (OPT HL11VAZ8-8 (V0PTK6)) (OPT HL11VAZ8-8 (V60516))	J,K	4
602	HL11VAZ8-11		..BOLT- (V60516) (SPEC BACB30NW8K11) (OPT B30NW8K11 (V97928)) (OPT HL11VAZ8-11 (V73197)) (OPT HL11VAZ8-11 (V92215)) (OPT HL11VAZ8-11 (V97928)) (OPT L803-8K11 (V06725)) (OPT HL11VAZ8-11 (V0PTK6)) (OPT HL11VAZ8-11 (V56878))	J,K	4

78-31-22

FIG. & ITEM	PART NO.	AIRLINE PART NUMBER	NOMENCLATURE 1234567	EFF CODE	QTY PER ASSY
07-605	HL11VAZ8-13		..BOLT- (V60516) (SPEC BACB30NW8K13) (OPT B30NW8K13 (V97928)) (OPT HL11VAZ8-13 (V73197)) (OPT HL11VAZ8-13 (V92215)) (OPT HL11VAZ8-13 (V97928)) (OPT L803-8K13 (V06725)) (OPT HL11VAZ8-13 (V0PTK6)) (OPT HL11VAZ8-13 (V56878))	J,K	4
608	HL79-8		..COLLAR- (V5M902) (SPEC BACC30M8) (OPT HL79-8 (V73197)) (OPT HL79-8 (V92215)) (OPT 66014-8 (V56878)) (OPT HL79-8 (V56878))	J,K	18
611	HL11VAZ6-11		..BOLT- (V60516) (SPEC BACB30NW6K11) (OPT B30NW6K11 (V97928)) (OPT HL11VAZ6-11 (V73197)) (OPT HL11VAZ6-11 (V92215)) (OPT HL11VAZ6-11 (V97928)) (OPT L803-6K11 (V06725)) (OPT HL11VAZ6-11 (V0PTK6)) (OPT HL11VAZ6-11 (V56878))	J,K	12

78-31-22

FIG. & ITEM	PART NO.	AIRLINE PART NUMBER	NOMENCLATURE 1234567	EFF CODE	QTY PER ASSY
07-614	HL11VAZ6-13		..BOLT- (V60516) (SPEC BACB30NW6K13) (OPT B30NW6K13 (V97928)) (OPT HL11VAZ6-13 (V73197)) (OPT HL11VAZ6-13 (V92215)) (OPT HL11VAZ6-13 (V97928)) (OPT L803-6K13 (V06725)) (OPT HL11VAZ6-13 (V0PTK6)) (OPT HL11VAZ6-13 (V56878))	J,K	2
617	HL79-6		..COLLAR- (V5M902) (SPEC BACC30M6) (OPT HL79-6 (V73197)) (OPT HL79-6 (V92215)) (OPT 66014-6 (V56878)) (OPT HL79-6 (V56878))	J,K	14
620	HL11VAZ10-15		..BOLT- (V60516) (SPEC BACB30NW10K15) (OPT B30NW10K15 (V97928)) (OPT HL11VAZ10-15 (V73197)) (OPT HL11VAZ10-15 (V92215)) (OPT HL11VAZ10-15 (V97928)) (OPT L803-10K15 (V06725)) (OPT HL11VAZ10-15 (V0PTK6)) (OPT HL11VAZ10-15 (V56878))	J,K	6

78-31-22

 ILLUSTRATED PARTS LIST
 01.1 Page 1096V
 Nov 01/03

FIG. & ITEM	PART NO.	AIRLINE PART NUMBER	NOMENCLATURE 1234567	EFF CODE	QTY PER ASSY
07-623	HL79-10		..COLLAR- (V5M902) (SPEC BACC30M10) (OPT HL79-10 (V73197)) (OPT HL79-10 (V92215)) (OPT 66014-10 (V56878)) (OPT HL79-10 (V56878))	J,K	6
626	BACS40R14C240F		..SHIM	J,K	AR
629	BACS40R14C28F		..SHIM	J,K	AR
632	BACS40R17C130F		..SHIM	J,K	AR
635	HL10VAZ6-5		..BOLT- (V60516) (SPEC BACB30MY6K5) (OPT B30MY6K5 (V97928))	J,K	2
638	HL79-6		..COLLAR- (V5M902) (SPEC BACC30M6) (OPT HL79-6 (V73197)) (OPT HL79-6 (V92215)) (OPT 66014-6 (V56878)) (OPT HL79-6 (V56878))	J,K	2

78-31-22

FIG. & ITEM	PART NO.	AIRLINE PART NUMBER	NOMENCLATURE 1234567	EFF CODE	QTY PER ASSY
07-641	HL10VAZ6-9		..BOLT- (V60516) (SPEC BACB30MY6K9) (OPT B30MY6K9 (V97928)) (ITEM 641A (QTY 2) OPT ITEM 650 AND ITEM 641 (QTY 2))	J,K	4
-641A	L8006K6		..BOLT- (V06725) (SPEC BACB30MY6K6) (OPT HL10VAZ6-6 (VOPTK6)) (ITEM 641A (QTY 2) OPT ITEM 650 AND ITEM 641 (QTY 2))	J,K	4
644	HL79-6		..COLLAR- (V5M902) (SPEC BACC30M6) (OPT HL79-6 (V73197)) (OPT HL79-6 (V92215)) (OPT 66014-6 (V56878)) (OPT HL79-6 (V56878))	J,K	4
647	315T3500-5		..FILLER-RADIUS	J,K	2
650	315T3500-4		..FILLER-RADIUS (ITEM 641A (QTY 2) OPT ITEM 650 AND ITEM 641 (QTY 2))	J,K	2
653	315T3572-8		..FITTING ASSY-SLIDER ATTACH	J,K	1

78-31-22

 ILLUSTRATED PARTS LIST
 01.1 Page 1096X
 Nov 01/03

315T3500
 315T3001
 315T4026 DASH NUMBERS
 LIMITED

 **BOEING**
 COMPONENT
 MAINTENANCE MANUAL

FIG. & ITEM	PART NO.	AIRLINE PART NUMBER	NOMENCLATURE 1234567	EFF CODE	QTY PER ASSY
07- 656	BACR15BA3AD		...RIVET- (SIZE DETERMINE ON INST)	J,K	6
659	F5000-3BAC		...NUTPLATE- (V15653) (SPEC BACN10JR3F) (OPT NS103203-02 (V80539)) (OPT RMF9201-3 (V72962)) (OPT T8091S1032 (V11815)) (OPT VN152A1-02 (V92215)) (OPT BRF200A3 (V52828))	J,K	3
662	315T3572-2		...FITTING	J,K	1
665	315T3572-7		..FITTING ASSY-SLIDER ATTACH	J,K	1
668	BACR15BA3AD		...RIVET- (SIZE DETERMINE ON INST)	J,K	6
671	F171-3		...NUTPLATE- (V72962) (SPEC BACN10JB3) (OPT 43600-02 (V80539)) (OPT BRF210A3 (V52828)) (OPT BRF270A3 (V52828))	J,K	3
674	315T3572-1		...FITTING	J,K	1
677	BACB30LE6-44		..BOLT	J,K	6
678	BACW10BP6CD		..WASHER	J,K	6
680	AN960-616		..WASHER	J,K	6

78-31-22

ILLUSTRATED PARTS LIST
 01.1 Page 1096Y
 Nov 01/03

FIG. & ITEM	PART NO.	AIRLINE PART NUMBER	NOMENCLATURE 1234567	EFF CODE	QTY PER ASSY
07-683	H39953-6		..NUT- (V15653) (SPEC BACN10HR6CS) (OPT 109LH9031-6 (V72962)) (OPT 67832AS624 (V56878)) (OPT BMN5024CPD3-6 (V97928)) (OPT BH00303-6 (V27238)) (OPT SL7059C624 (V11815)) (OPT BH003036 (V27238)) (OPT BMN5024CPD36 (V97928)) (OPT CR5908 (V62554)) (OPT H39953 (V15653)) (OPT SL705096 (V11815)) (OPT 109LH90316 (V72962)) (OPT 67832AS6 (V56878)) (OPT BH003026CS (V27238))	J,K	6
686	315T3593-5		..BUSHING	J,K	12
689	315T3511-3		..LINK ASSY-FAN DRAG	J,K	6
692	VTB04550		...BEARING ASSY- (V06710) (SPEC S302T001-302A) (OPT P21630 (V57606) (OPT AMB6V4035 (V15860)) (FOR DETAILS SEE FIG. 80)	J,K	1
695	315T3517-1		...BUSHING	J,K	2
698	315T3511-4		...LINK-DRAG	J,K	1
701	NAS6704U18		..BOLT	J,K	12
704	BACW10BP4ACU		..WASHER	J,K	36
707	NAS1805-4		..NUT	J,K	12

78-31-22

 ILLUSTRATED PARTS LIST
 01.1 Page 1096Z
 Mar 01/05

FIG. & ITEM	PART NO.	AIRLINE PART NUMBER	NOMENCLATURE 1234567	EFF CODE	QTY PER ASSY
07-					
710	BACB30VF3K4		..BOLT	J,K	12
713	BACW10P63AL		..WASHER	J,K	AR
716	BACR15BA3AD		..RIVET-	J,K	24
			(SIZE DETERMINE ON INST)		
719	BRF200C3M		..NUTPLATE-	J,K	12
			(V52828)		
			(SPEC BACN10JR3CFM)		
			(OPT F5001-3BAC		
			(V15653))		
			(OPT NS103203SE02		
			(V80539))		
			(OPT T8092C1032		
			(V11815))		
			(OPT VN152D1-02		
			(V92215))		
			(OPT 109F9201-3		
			(V72962))		
722	315T3557-1		..BUMPER ASSY-BLOCKER DOOR	J,K	12
723	315T3557-2		...WASHER-	J,K	1
			(OPT ITEM 723A)		
-723A	BACW10EH10AY		...WASHER-	J,K	1
			(OPT ITEM 723)		
724	315T3557-3		...PAD	J,K	1
725	BACB30MS3K19		..BOLT	J,K	15
728	315T3557-4		..PAD	J,K	AR
731	315T3557-5		..PAD	J,K	AR
-800	315T3500-5031		..SLEEVE ASSY	J	1
-803	315T3500-5032		..SLEEVE ASSY	K	1
806	315T3502-53		..BOND ASSY-ACOUSTIC PNL	J	1
-809	315T3502-54		..BOND ASSY-ACOUSTIC PNL	K	1
812	NAS1835C4P		...INSERT	J,K	4
815	315T3505-13		..SLIDER ASSY	J	1
-818	315T3505-14		..SLIDER ASSY	K	1
821	315T3505-9		...TAPE	J,K	1
824	315T3505-4		...SLIDER	J	1
-827	315T3505-3		...SLIDER	K	1
830	315T3505-1		..SLIDER ASSY	J	1
-833	315T3505-2		..SLIDER ASSY	K	1
836	315T3505-9		...TAPE	J,K	1
839	BACB30LP4P4		...BOLT	J,K	2
842	315T3556-5		...BLOCK-LWR STOP	J,K	1
845	315T3505-3		...SLIDER	J	1

78-31-22

FIG. & ITEM	PART NO.	AIRLINE PART NUMBER	NOMENCLATURE 1234567	EFF CODE	QTY PER ASSY
07-					
-848	315T3505-4		...SLIDER	K	1
851	315T3508-159		..DOOR ASSY-BLOCKER (PRE SB 767-78-0036) (FOR DETAILS SEE FIG. 3)	J	1
-851A	315T3508-161		..DOOR ASSY-BLOCKER (POST SB 767-78-0036) (FOR DETAILS SEE FIG. 3)	J	1
-854	315T3508-160		..DOOR ASSY-BLOCKER (PRE SB 767-78-0036) (FOR DETAILS SEE FIG. 3)	K	1
-854A	315T3508-162		..DOOR ASSY-BLOCKER (POST SB 767-78-0036) (FOR DETAILS SEE FIG. 3)	K	1
857	315T3507-72		..DOOR ASSY-BLOCKER (PRE SB 767-78-0036) (FOR DETAILS SEE FIG. 2)	J,K	4
-857A	315T3507-73		..DOOR ASSY-BLOCKER (POST SB 767-78-0036) (FOR DETAILS SEE FIG. 2)	J,K	4
860	315T3509-111		..DOOR ASSY-BLOCKER (PRE SB 767-78-0036) (FOR DETAILS SEE FIG. 4)	J	1
-860A	315T3509-113		..DOOR ASSY-BLOCKER (POST SB 767-78-0036) (FOR DETAILS SEE FIG. 4)	J	1
-863	315T3509-112		..DOOR ASSY-BLOCKER (PRE SB 767-78-0036) (FOR DETAILS SEE FIG. 4)	K	1
-863A	315T3509-114		..DOOR ASSY-BLOCKER (POST SB 767-78-0036) (FOR DETAILS SEE FIG. 4)	K	1
866	315T3521-14		..PANEL ASSY-ACOUSTIC	J,K	5
869	315T3501-29		..DIAPHRAGM ASSY-HINGE SPRT	J	1

78-31-22

 ILLUSTRATED PARTS LIST
 01.101 Page 1098
 Mar 01/05

315T3500
 315T3001
 315T4026 DASH NUMBERS
 LIMITED

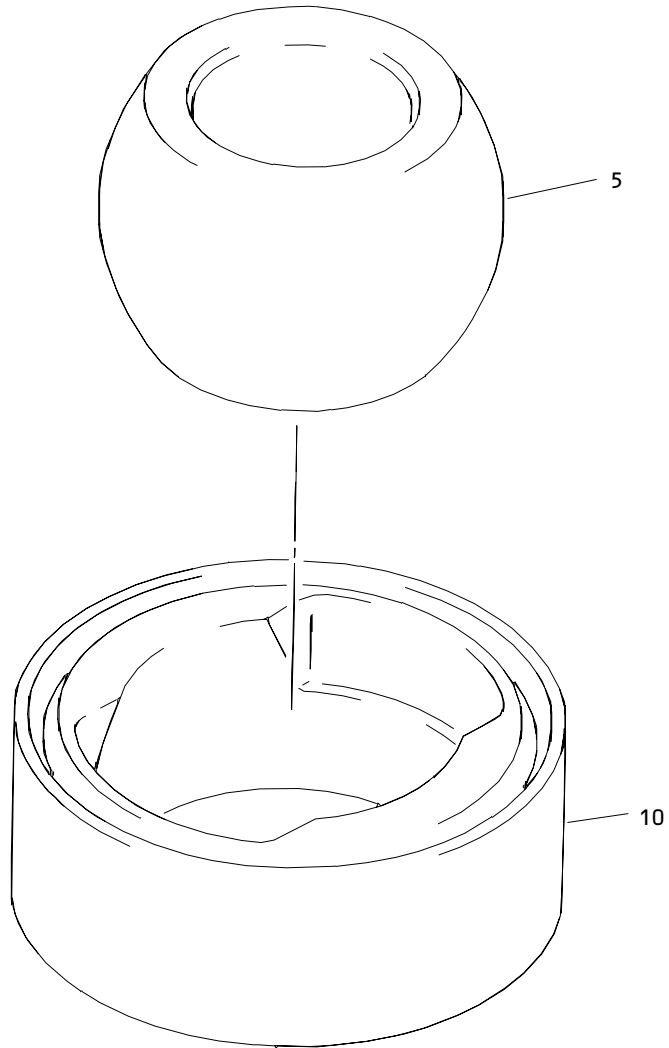
 **BOEING**
 COMPONENT
 MAINTENANCE MANUAL

FIG. & ITEM	PART NO.	AIRLINE PART NUMBER	NOMENCLATURE 1234567	EFF CODE	QTY PER ASSY
07-					
-872	315T3501-30		..DIAPHRAGM ASSY-HINGE SPRT	K	1
-875	315T3501-15		...BULKHEAD ASSY-HINGE (FOR DETAILS SEE FIG. 6)	J	1
-878	315T3501-16		...BULKHEAD ASSY-HINGE (FOR DETAILS SEE FIG. 6)	K	1
-881	315T3501-5031		...DIAPHRAGM ASSY-HINGE (FOR DETAILS SEE FIG. 5)	J	1
-884	315T3501-5032		...DIAPHRAGM ASSY-HINGE (FOR DETAILS SEE FIG. 5)	K	1

- Item Not Illustrated

78-31-22

ILLUSTRATED PARTS LIST
 01.1 Page 1098A
 Nov 01/03



Bearing Assembly
Figure 80

78-31-22

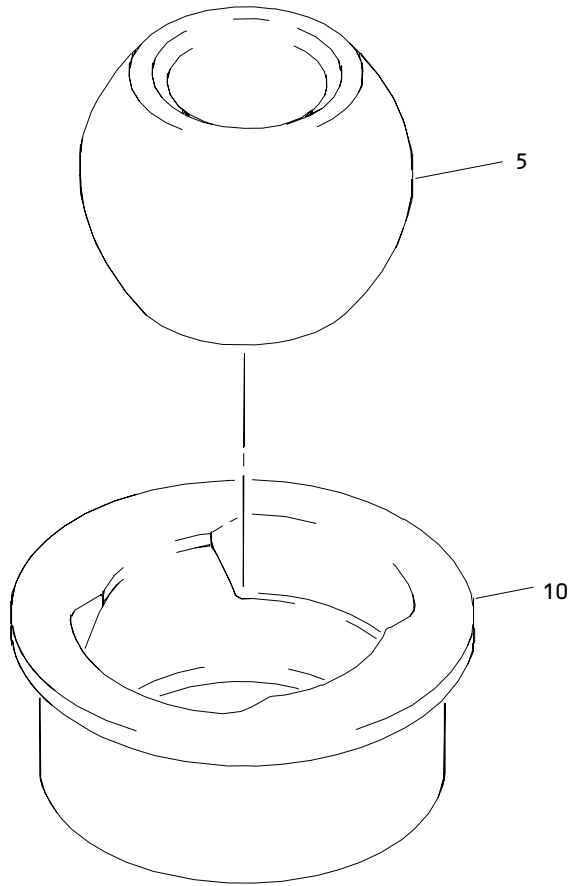
ILLUSTRATED PARTS LIST
01.1 Page 1098B
Nov 01/03

FIG. & ITEM	PART NO.	AIRLINE PART NUMBER	NOMENCLATURE 1234567	EFF CODE	QTY PER ASSY
80- -1	VTB04550		BEARING ASSY- (V06710) (SPEC S302T001-302A) (OPT P21630 (V57606) (OPT AMB6V4035 (V15860))	A-K	RF
5	VTB04551		.BALL- (V06710) (SPEC S302T001-302B) (OPT P21631 (V57606) (OPT AMB6V4035B (V15860))	A-K	1
10	VTB04552		.RACE- (V06710) (OPT AMB6V4035R (V15860))	A-K	1

- Item Not Illustrated

78-31-22

ILLUSTRATED PARTS LIST
 01.1 Page 1098C
 Mar 01/05



Bearing Assembly
Figure 81

78-31-22

ILLUSTRATED PARTS LIST
01.1 Page 1098D
Nov 01/03

315T3500
 315T3001
 315T4026 DASH NUMBERS
 LIMITED

 **BOEING**
 COMPONENT
 MAINTENANCE MANUAL

FIG. & ITEM	PART NO.	AIRLINE PART NUMBER	NOMENCLATURE 1234567	EFF CODE	QTY PER ASSY
81- -1	VTB04540		BEARING ASSY- (V06710) (SPEC S302T001-301A) (OPT USB4-136 (V02758)) (OPT P21620 (V57606))	A-K	RF
5	VTB04541		.BALL- (V06710) (SPEC S302T001-301B) (OPT P21621 (V57606))	A-K	1
10	VTB04542		.RACE- (V06710)	A-K	1

- Item Not Illustrated

78-31-22

ILLUSTRATED PARTS LIST
 01.1 Page 1098E
 Nov 01/03